

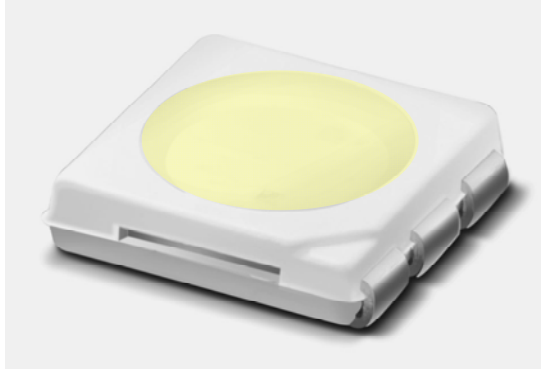
## Technical Data Sheet

### Luminosity White color LED

61-236/XK2C-BXXXXXXXXXXXX/ET

#### Features

- Super-luminosity chip LED.
- White SMT package.
- Lead frame package with individual 6 pins.
- Wide viewing angle.
- Soldering methods: IR reflow soldering.
- Pb-free.
- The product itself will remain within RoHS compliant version.



#### Descriptions

- Due to the package design, 61-236 has wide viewing angle, low power consumption and white LEDs are devices which are materialized by combing Blue LEDs and special phosphors. This feature makes the LED ideal for light guide application.

#### Applications

- General lighting
- Decorative and Entertainment Lighting.
- Indicators.
- Illuminations.

#### Device Selection Guide

Chip	Emitted Color	Resin Color
Material		
InGaN	Cool White Warm White	Water Clear



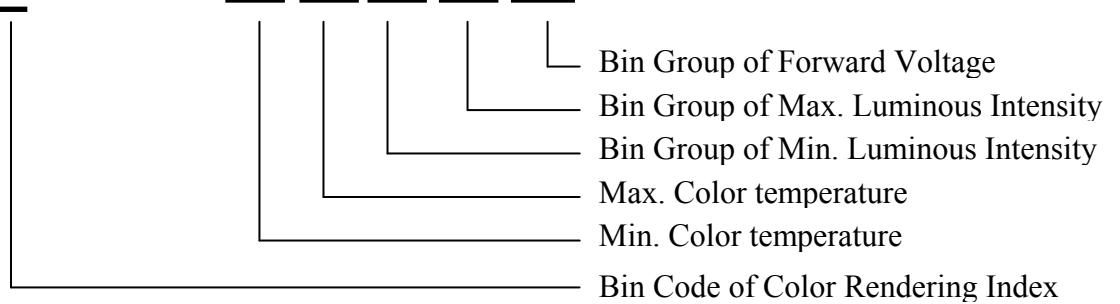
Technical Data Sheet

Luminosity White color LED

61-236/XK2C-BXXXXXXXXXXXX/ET

Product Number Explanation

61-236 / X K 2 C - B XX XX XX XX XX / ET



Notes

Table of Color Rendering Index

Symbol	Description
M	CRI <sub>(min)</sub> : 60
N	CRI <sub>(min)</sub> : 65
L	CRI <sub>(min)</sub> : 70
Q	CRI <sub>(min)</sub> : 75
K	CRI <sub>(min)</sub> : 80
H	CRI <sub>(min)</sub> : 90

Notes:

1. Tolerance of Color Rendering Index: ±2

Example:

61-236/QK2C-B45562FAG B2/2T

CRI	Min=75
CCT	4500K~5650K
IV	5000mcd~6000mcd
VF	2.9V~3.6V



Technical Data Sheet

Luminosity White color LED

61-236/XK2C-BXXXXXXXXXXXX/ET

Mass Production list

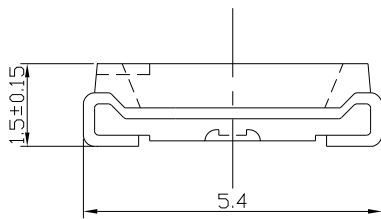
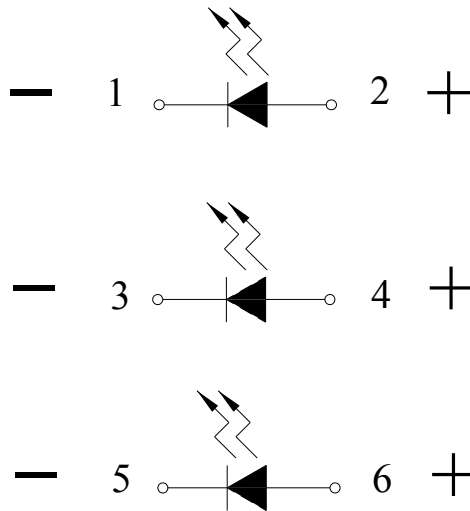
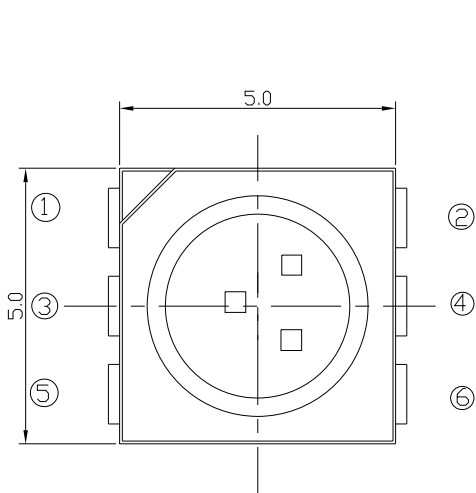
Product	CRI min	CCT(K)	I <sub>v</sub> (mcd) Min	I <sub>v</sub> (mcd) Max	Φ(lm) Typ.
61-236/LK2C-B50638F6GB2/ET	70	5000K~6300K	5600	6600	19.2
61-236/LK2C-B50632FAGB2/ET			5000	6000	17.0
61-236/LK2C-B45568F6GB2/ET	70	4500K~5650K	5600	6600	19.2
61-236/LK2C-B45562FAGB2/ET			5000	6000	17.0
61-236/LK2C-B28322FAGB2/ET	70	2850K~3250K	5000	6000	17.0
61-236/LK2C-B28328E6FB2/ET			4600	5600	16.1
61-236/QK2C-B50632FAGB2/ET	75	5000K~6300K	5000	6000	17.0
61-236/QK2C-B50634E2FB2/ET			4200	5200	14.5
61-236/QK2C-B45562FAGB2/ET	75	4500K~5650K	5000	6000	17.0
61-236/QK2C-B45564E2FB2/ET			4200	5200	14.5
61-236/QK2C-B28322FAGB2/ET	75	2850K~3250K	5000	6000	17.0
61-236/QK2C-B28328E6FB2/ET			4600	5600	16.1

**Technical Data Sheet**

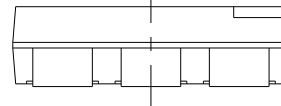
**Luminosity White color LED**

61-236/XK2C-BXXXXXXXXXXXX/ET

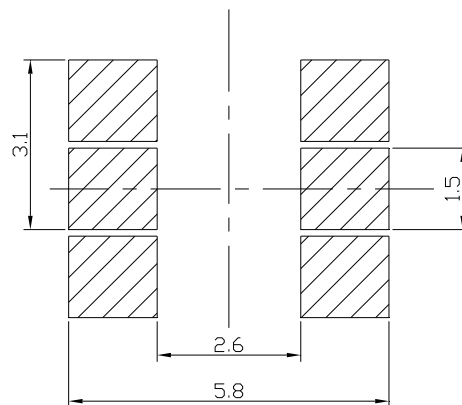
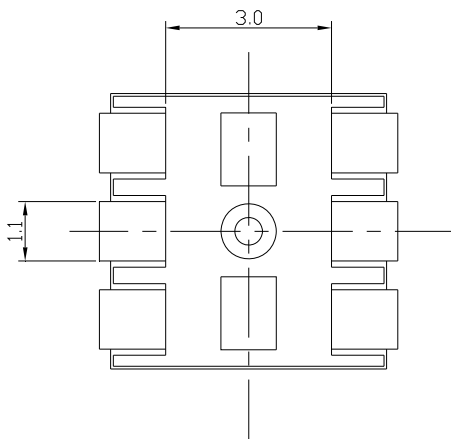
**Package Outline Dimensions**



**Polarity**



Recommend soldering pad design



**Note:** The tolerances unless mentioned is  $\pm 0.1$ mm, Unit = mm



Technical Data Sheet

Luminosity White color LED

61-236/XK2C-BXXXXXXXXXXXX/ET

Absolute Maximum Ratings (Ta=25°C)\*1

Parameter	Symbol	Rating	Unit
Reverse Voltage*1	R	5	V
Forward Current*1	I <sub>F</sub>	30	mA
Peak Forward Current(Duty 1/10 @ 1KHZ)*1	I <sub>FP</sub>	100	mA
Power Dissipation*1	P <sub>d</sub>	110	mW
Electrostatic Discharge(HBM)*1	ESD	1000	V
Operating Temperature	Topr	-40 ~ +85	°C
Storage Temperature	Tstg	-40~ +90	°C
Soldering Temperature	Tsol	Reflow Soldering : 260 °C for 10 sec. Hand Soldering : 350 °C for 3 sec.	

\* 1. The value are based on 1 die performance

Electro-Optical Characteristics (Ta=25°C)

Parameter	Symbol	Min.	Typ.	Max.	Units	Condition
Viewing Angle*1	2θ 1/2	-----	120	-----	deg	I <sub>F</sub> =20mA*2
Reverse Current	I <sub>R</sub>	-----	-----	50	μA	V <sub>R</sub> *2=5V

\*1 When three LED dies are operated simultaneously.

\*2 For each die.



Technical Data Sheet

Luminosity White color LED

61-236/XK2C-BXXXXXXXXXXXX/ET

Bin Range of Luminous Intensity\*1

Bin Code	Min.	Max.	Unit	Condition
4D	3200	3400	mcd	I <sub>F</sub> =20*2mA
6D	3400	3600		
8D	3600	3800		
AE	3800	4000		
2E	4000	4200		
4E	4200	4400		
6E	4400	4600		
8E	4600	4800		
AF	4800	5000		
2F	5000	5200		
4F	5200	5400		
6F	5400	5600		
8F	5600	5800		
AG	5800	6000		
2G	6000	6200		
4G	6200	6400		
6G	6400	6600		

Notes:

- \*1 When three LED dies are operated simultaneously.
- \*2 For each die.
- Tolerance of Luminous Intensity ±11%



Technical Data Sheet

Luminosity White color LED

61-236/XK2C-BXXXXXXXXXXXX/ET

Bin Range of Forward Voltage\*1

Group		Bin Code	Min.	Max.	Unit	Condition
G	[Grey]	34	2.7	2.8	V	I <sub>F</sub> =20* <sup>2</sup> mA
		35	2.8	2.9		
	B2	36	2.9	3.0		
		37	3.0	3.1		
		38	3.1	3.2		
		39	3.2	3.3		
		40	3.3	3.4		
		41	3.4	3.5		
		42	3.5	3.6		
		43	3.6	3.7		
[Grey]						

Notes:

- \*1 When three LED dies are operated simultaneously.
- \*2 For each die.
- Tolerance of Forward Voltage ±0.05V
- Forward Voltage rank is the average forward voltage of three dies



Technical Data Sheet

Luminosity White color LED

61-236/XK2C-BXXXXXXXXXXXX/ET

Bin Range of Chromaticity Coordinates \*1 I<sub>F</sub> \*2=20mA

CCT	Bin Code	CIE_x	CIE_y	CCT	Bin Code	CIE_x	CIE_y
6300K ~5650K	W5	0.3148	0.3444	3250K ~3050K	P5	0.4312	0.4234
		0.3288	0.3569			0.4456	0.4287
		0.3290	0.3451			0.4376	0.4116
		0.3160	0.3332			0.4240	0.4065
	W6	0.3160	0.3332		0.4240	0.4065	
		0.3290	0.3451		0.4376	0.4116	
		0.3292	0.3313		0.4294	0.3943	
		0.3175	0.3204		0.4165	0.3890	
5650K ~5000K	V5	0.3288	0.3569	3050K ~2850K	N5	0.4456	0.4287
		0.3469	0.3717			0.4614	0.4333
		0.3458	0.3592			0.4525	0.4162
		0.3290	0.3451			0.4376	0.4116
	V6	0.3290	0.3451		0.4376	0.4116	
		0.3458	0.3592		0.4525	0.4162	
		0.3444	0.3442		0.4436	0.3991	
		0.3292	0.3313		0.4294	0.3943	
5000K ~4500K	U5	0.3469	0.3717	/			
		0.3642	0.3829				
		0.3622	0.3716				
		0.3458	0.3592				
	U6	0.3458	0.3592				
		0.3622	0.3716				
		0.3594	0.3557				
		0.3444	0.3442				

Note:

1. Tolerance of Chromaticity Coordinates: ±0.01
2. \*1 When three LED dies are operated simultaneously.
3. \*2 For each die.

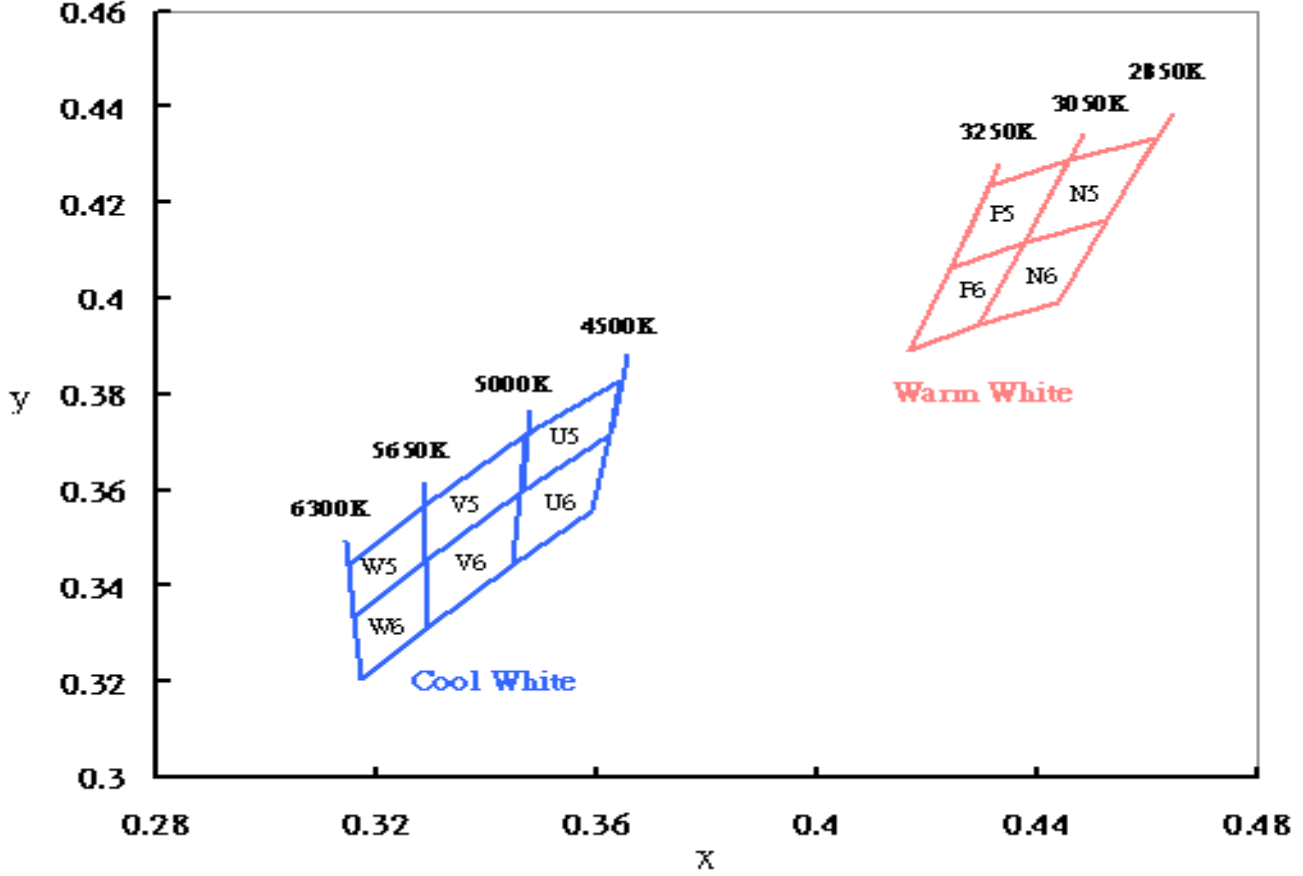


**Technical Data Sheet**

**Luminosity White color LED**

61-236/XK2C-BXXXXXXXXXX/ET

The C.I.E. 1931 Chromaticity Diagram

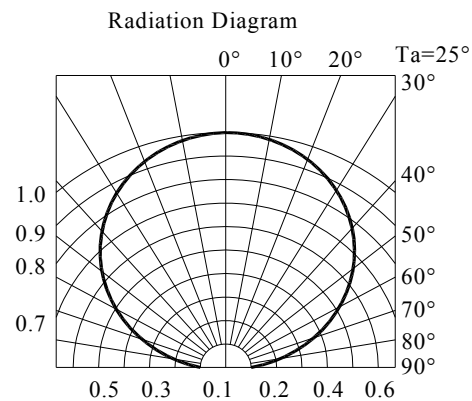
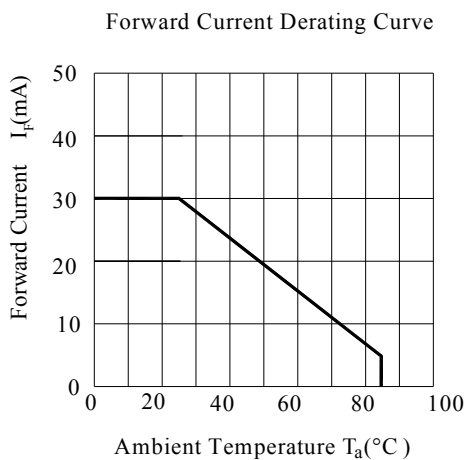
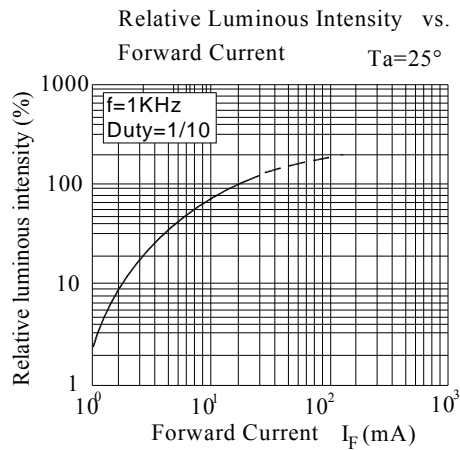
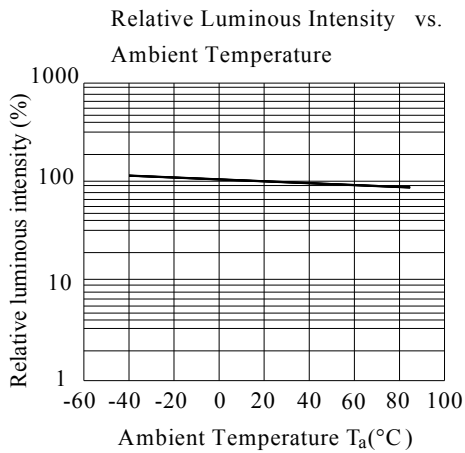
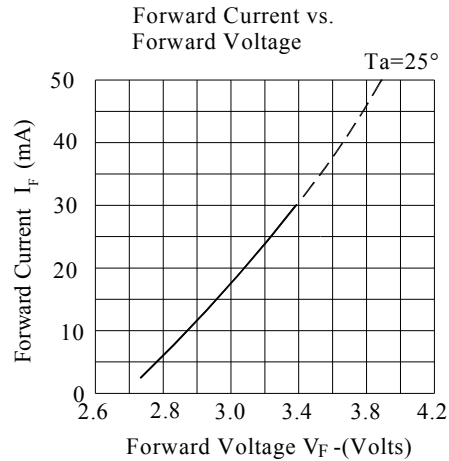
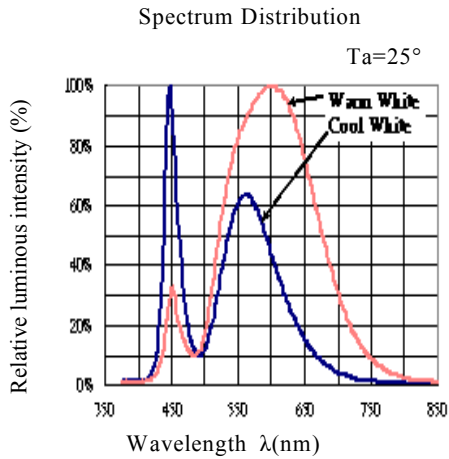


**Technical Data Sheet**

**Luminosity White color LED**

**61-236/XK2C-BXXXXXXXXXXXX/ET**

**Typical Electro-Optical Characteristics Curves**



**Technical Data Sheet**

**Luminosity White color LED**

**61-236/XK2C-BXXXXXXXXXXXX/ET**

**Label Explanation**

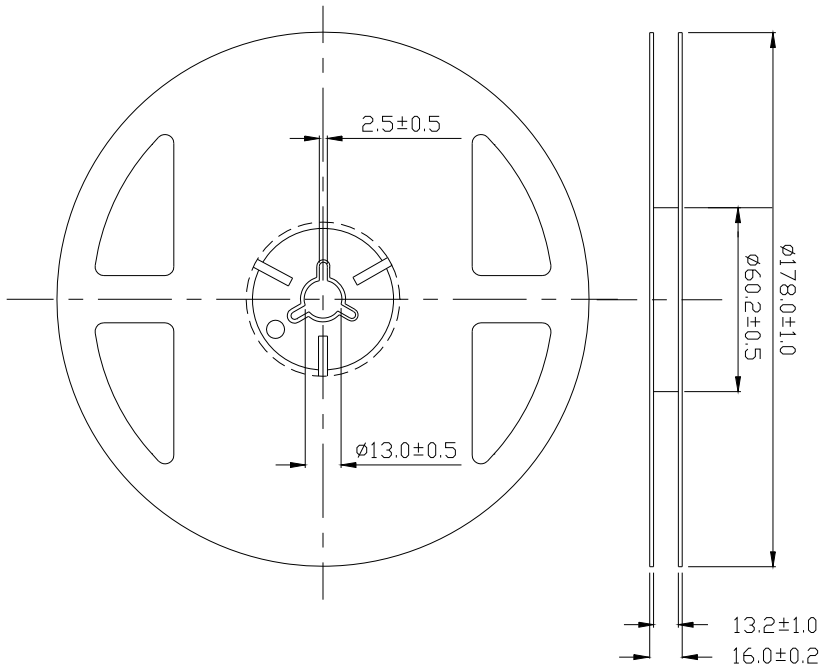
CAT: Luminous Intensity Rank

HUE: Dom. Wavelength Rank

REF: Forward Voltage Rank



**Reel Dimensions**



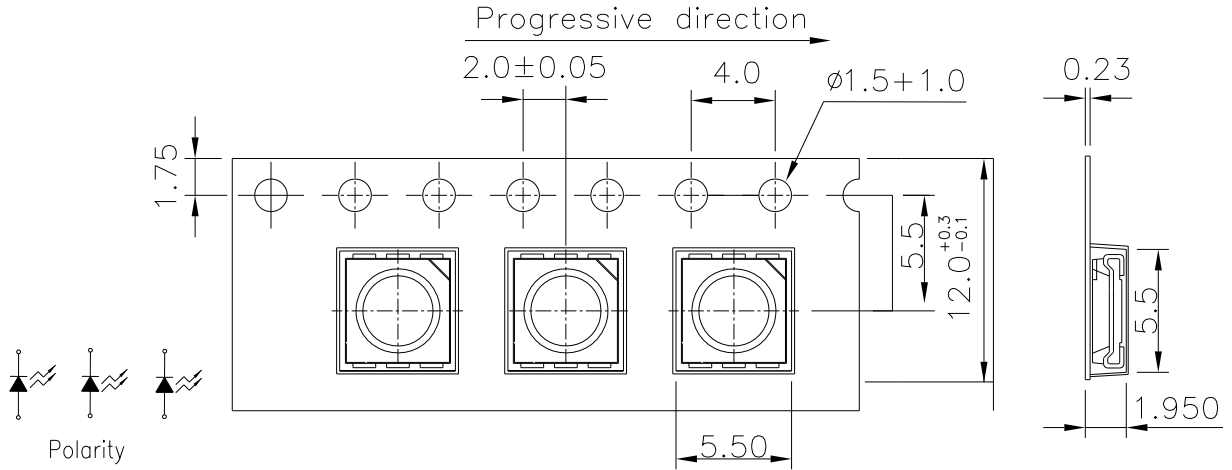
**Note:** The tolerances unless mentioned is ±0.1mm, Unit = mm

**Technical Data Sheet**

**Luminosity White color LED**

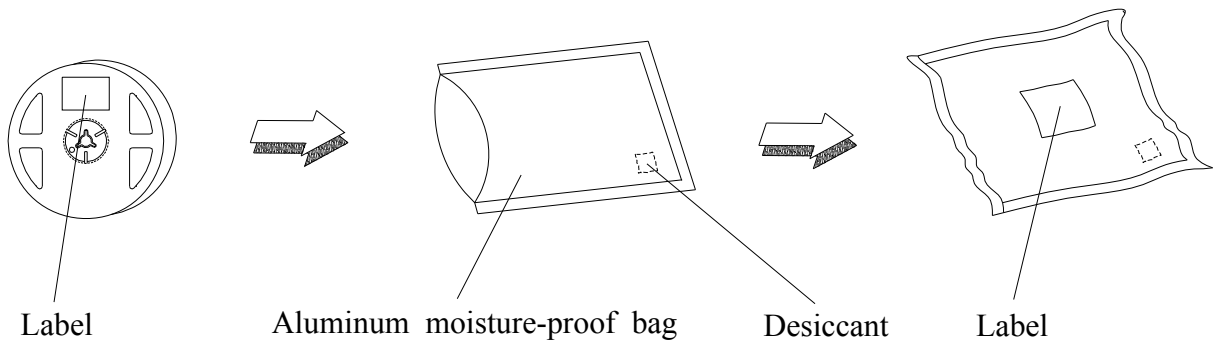
**61-236/XK2C-BXXXXXXXXXX/ET**

**Carrier Tape Dimensions: Loaded Quantity 800 pcs Per Reel**



**Note:** The tolerances unless mentioned is  $\pm 0.1$ mm, Unit = mm

**Moisture Resistant Packaging**





Technical Data Sheet

Luminosity White color LED

61-236/XK2C-BXXXXXXXXXXXX/ET

Reliability Test Items and Conditions

The reliability of products shall be satisfied with items listed below.

Confidence level : 90%

LTPD : 10%

No.	Items	Test Condition	Test Hours/Cycles	Sample Size	Ac/Re
1	Reflow Soldering	Temp. : 260°C±5°C Max. 10sec.	6 Min.	22 PCS.	0/1
2	Temperature Cycle	H : +100°C 15min ↓ 5 min L : -40°C 15min	300 Cycles	22 PCS.	0/1
3	Thermal Shock	H : +100°C 5min ↓ 10 sec L : -10°C 5min	300 Cycles	22 PCS.	0/1
4	High Temperature Storage	Temp. : 100°C	1000 Hrs.	22 PCS.	0/1
5	Low Temperature Storage	Temp. : -40°C	1000 Hrs.	22 PCS.	0/1
6	DC Operating Life	I <sub>F</sub> <sup>*2</sup> = 20 mA	1000 Hrs.	22 PCS.	0/1
7	High Temperature / High Humidity	85°C / 85%RH	1000 Hrs.	22 PCS.	0/1

\*2 For each die

## Technical Data Sheet

### Luminosity White color LED

61-236/XK2C-BXXXXXXXXXXXX/ET

#### Precautions for Use

##### 1. Over-current-proof

Customer must apply resistors for protection, otherwise slight voltage shift will cause big current change ( Burn out will happen ).

##### 2. Storage

2.1 Do not open moisture proof bag before the products are ready to use.

2.2 Before opening the package: The LEDs should be kept at 30°C or less and 90%RH or less.

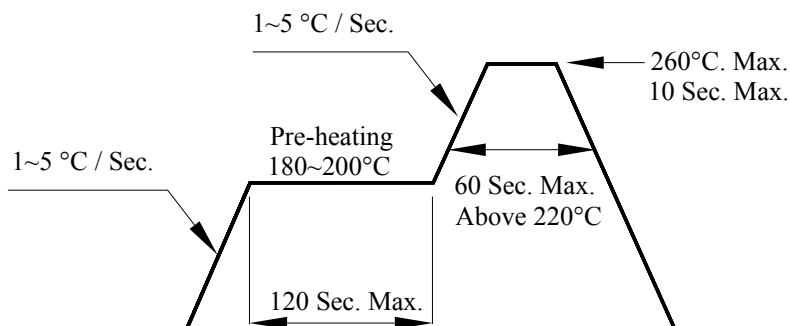
2.3 After opening the package: The LED's floor life are 168 hours under 30°C or less and 60% RH or less. If unused LEDs remain, it should be stored in moisture proof packages.

2.4 If the moisture absorbent material (silica gel) has faded away or the LEDs have exceeded the storage time, baking treatment should be performed using the following conditions.

Baking treatment : 60±5°C for 24 hours.

##### 3. Soldering Condition

###### 3.1 Pb-free solder temperature profile



3.2 Reflow soldering should not be done more than two times.

3.3 When soldering, do not put stress on the LEDs during heating.

3.4 After soldering, do not warp the circuit board.

## Technical Data Sheet

### Luminosity White color LED

61-236/XK2C-BXXXXXXXXXXXX/ET

#### 4. Soldering Iron

Each terminal is to go to the tip of soldering iron temperature less than 350°C for 3 seconds within once in less than the soldering iron capacity 25W. Leave two seconds and more intervals, and do soldering of each terminal. Be careful because the damage of the product is often started at the time of the hand solder.

#### 5. Repairing

Repair should not be done after the LEDs have been soldered. When repairing is unavoidable, a double-head soldering iron should be used (as below figure). It should be confirmed beforehand whether the characteristics of the LEDs will or will not be damaged by repairing.

