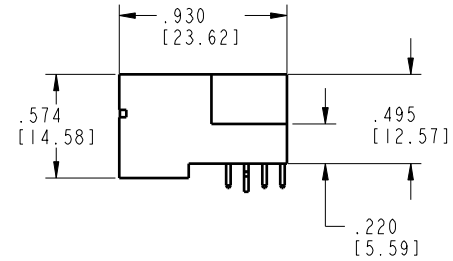
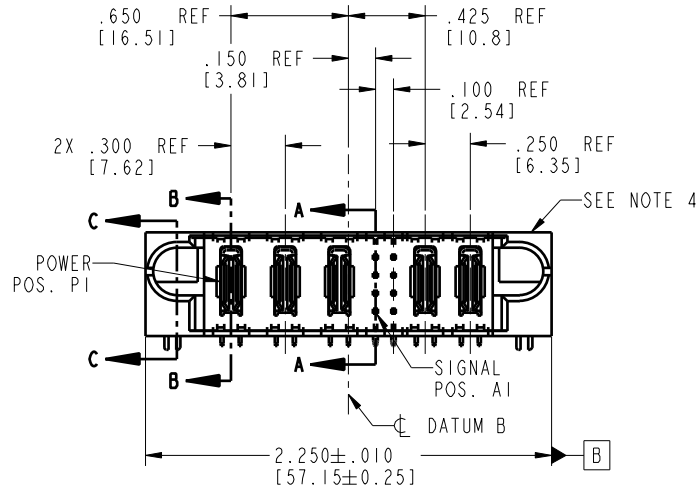


Tous droits strictement réservés. Reproduction ou communication à des tiers interdite sans quelque forme que ce soit sans autorisation écrite du propriétaire. Propriété de c FCI. Droits de reproduction FCI.

All rights strictly reserved. Reproduction or issue to third parties in any form whatsoever is not permitted without written authority from the proprietor. Property of FCI. Copyright FCI.

PRODUCT NO.	ROWS	POWER			SIG	POWER			
		E1	P1	P2	P3	1 2	P4	P5	E2
51939-148-- NOTE 3	0 B A	HA	PA	PA	PA	SIG	PA	PA	HA



CODE	DIM "M" MATING LENGTH	CONTACT TYPE
E	.220 [5.59]	SIGNAL
R	.270 [6.86]	SIGNAL
S	.270 [6.86]	SIGNAL
T	.270 [6.86]	SIGNAL
U	.270 [6.86]	SIGNAL
PA	N/A [N/A]	POWER
HA	N/A [N/A]	HOLD-DOWN

mat'l code				SEE NOTE 2		tolerances unless otherwise specified		CUSTOMER	
lir	ecr no.	dr	date	linear	.XX±.01/0.X±0.3	COPY		A FCI www.fciconnect.com	
A	V04-1111	TAB	11/15/04		.XXX±.005/0.XX±0.13	projection		title 3ACP + 8S + 2P	
B	DG06-0013	RYAN	01/27/06		.XXX±.002/0.XXX±0.051	INCH/MM		RIGHT ANGLE SOLDER HEADER	
				angles	0° ± 2°	scale		product family PwrBlade code 213	
				dr	T. BRUNGARD 11/15/04	1:1		size dwg no	
				engr	M. GRAY 11/15/04			A 51939-148	
				chr	M. GRAY 11/15/04			sheet 1 of 4	
				appd	M. GRAY 11/15/04				
sheet index	revision	B	B	B	B				
	sheet	1	2	3	4				

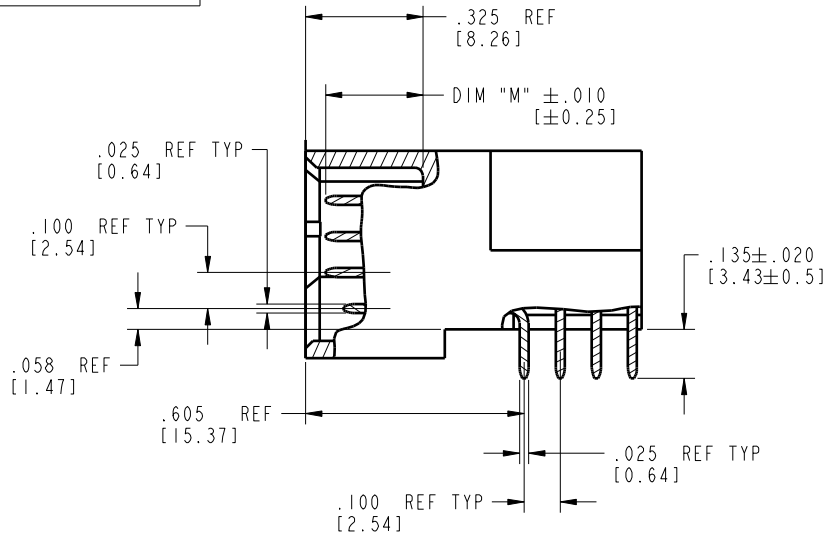
code code 22526

Pro/E

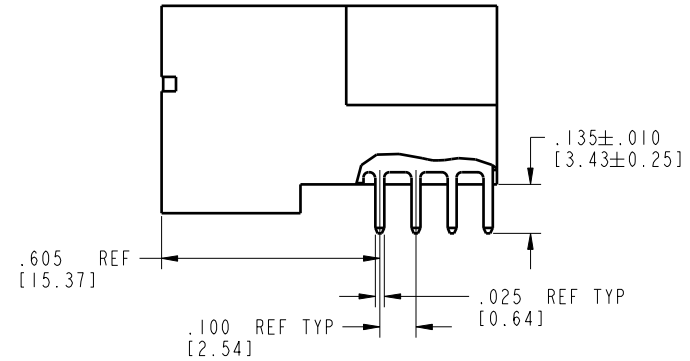
Tous droits strictement réservés. Reproduction ou communication à des tiers interdite sous quelque forme que ce soit sans autorisation écrite du propriétaire. Propriété de c FCI. Droits de reproduction FCI.

All rights strictly reserved. Reproduction or issue to third parties in any form whatsoever is not permitted without written authority from the proprietor. Property of FCI. Copyright FCI.

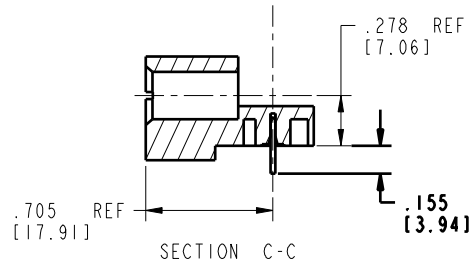
PRODUCT NUMBER
51939-148--
NOTE 3



BROKEN-OUT SECTION A-A
SCALE 2:1



BROKEN-OUT SECTION B-B
SCALE 2:1



SECTION C-C

mat'l code				SEE NOTE 2	tolerances unless otherwise specified		CUSTOMER		FCI		www.fciconnect.com	
lir	ecm no.	dr	date	linear	.XX±.01/0.X±0.3	COPY		projection		title		
B					.XXX±.005/0.XX±0.13					3ACP + 8S + 2P		
				angles	.XXX±.002/0.XXX±0.051					RIGHT ANGLE SOLDER HEADER		
				dr	0°±2°			INCH/MM		product family		
				eng	T. BRUNGARD 11/15/04			scale		PwrBlade		
				chr	M. GRAY 11/15/04			1:1		code		
				appd	M. GRAY 11/15/04			A		213		
sheet index	revision sheet									sheet		
										2 of 4		

code code 22526

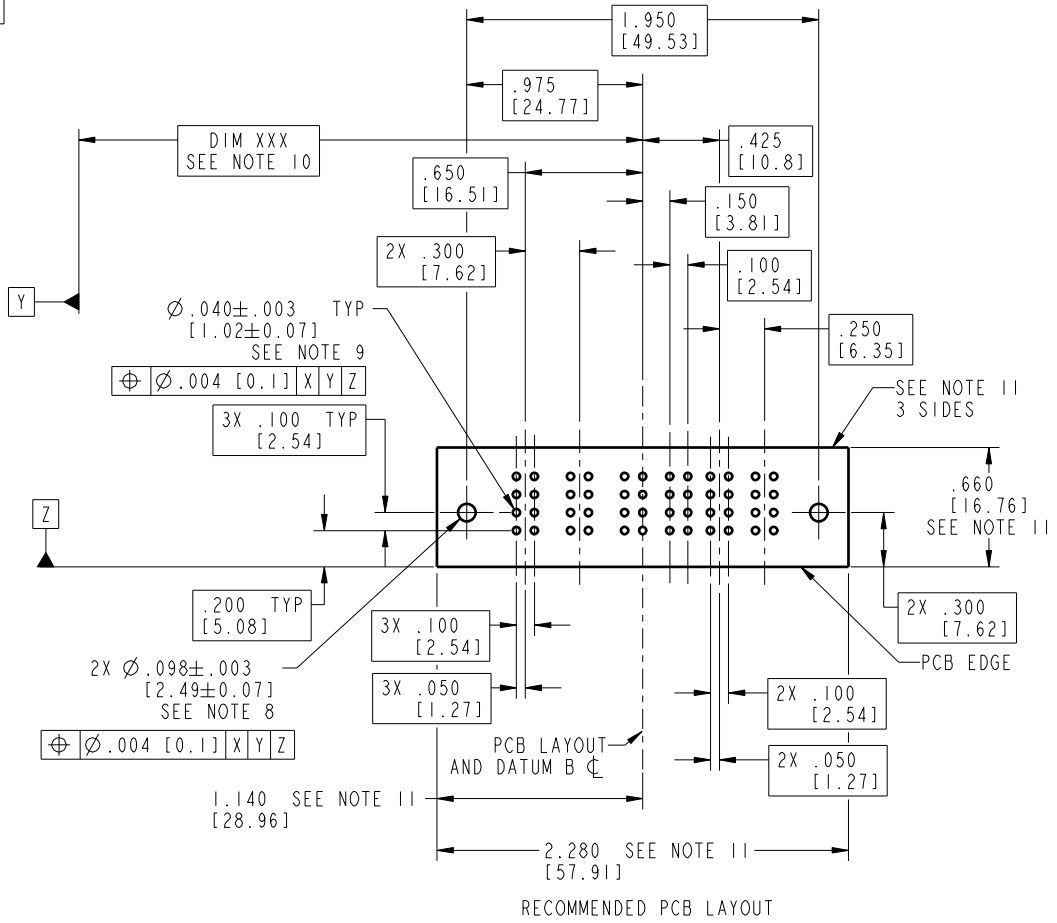
Pro/E

Tous droits strictement réservés. Reproduction ou communication à des tiers interdite sous quelque forme que ce soit sans autorisation écrite du propriétaire. Propriété de c FCI. Droits de reproduction FCI.



All rights strictly reserved. Reproduction or issue to third parties in any form whatsoever is not permitted without written authority from the proprietor. Property of FCI. Copyright FCI.

PRODUCT NUMBER
51939-148__
NOTE 3



RECOMMENDED PCB LAYOUT

mat'l code SEE NOTE 2				tolerances unless otherwise specified		CUSTOMER		FCI www.fciconnect.com	
lir	ecn no.	dr	date	linear	.XX±.01/0.X±0.3	COPY		projection	title
B					.XXX±.005/0.XX±0.13				3ACP + 8S + 2P
				angles	.XXX±.002/0.XXX±0.051				RIGHT ANGLE SOLDER HEADER
				dr	0°±2°	INCH/MM		product family	PwrBlade
				engr	T. BRUNGARD 11/15/04	scale		size	213
				chr	M. GRAY 11/15/04	1:1		dwg no	51939-148
				appd	M. GRAY 11/15/04			code	3 of 4
sheet index	revision	sheet							

code code 22526

Pro/E

Tous droits strictement réservés. Reproduction ou communication à des tiers interdite sans quelque forme que ce soit sans autorisation écrite du propriétaire. Propriété de c FCI. Droits de reproduction FCI.



All rights strictly reserved. Reproduction or issue to third parties in any form whatsoever is not permitted without written authority from the proprietor. Property of FCI. Copyright FCI.

PRODUCT NUMBER
51939-148--
NOTE 3

NOTES:

1. DIMENSIONS AND TOLERANCES ARE IN ACCORDANCE WITH ASME Y14.5M, 1994 UNLESS OTHERWISE SPECIFIED.

CONNECTOR NOTES:

- 2. HOUSING MATERIAL: UL 94 V-0 GLASS FILLED
HIGH-TEMP THERMOPLASTIC
POWER CONTACT MATERIAL: COPPER ALLOY
SIGNAL PIN MATERIAL: COPPER ALLOY
- 3. PLATING:
51939-148; 51939-148LF; 51939-148GLF SEE PRINT 10064183
- 4. MANUFACTURER'S NAME, P/N, AND DATE CODE TO APPEAR ON THIS SURFACE.
- 5. PRODUCT SPECIFICATION GS-12-149.
APPLICATION SPECIFICATION BUS-20-067.

6. PACKAGED IN TRAYS.

PCB NOTES:

- 7. ALL HOLE DIAMETERS ARE FINISHED HOLE SIZE.
- 8. MOUNTING HOLES, WHERE APPLICABLE, ARE UNPLATED.
- 9. $\varnothing .0453 \pm .0010$ [1.151 \pm 0.025] DRILLED HOLES PLATED WITH .0003 [0.008] MIN SnPb OVER .001 [0.03] TO .003 [0.08] Cu PLATING TO ACHIEVE $\varnothing .040 \pm .003$ [1.02 \pm .07] HOLE.
- 10. "DIM XXX" TO BE DETERMINED BY THE CUSTOMER.
- 11. CONNECTOR KEEP-OUT ZONE.

mat'l code		SEE NOTE 2		tolerances unless otherwise specified		CUSTOMER		A FCI		www.fciconnect.com	
lir	ecr no.	dr	date	linear	.XX±.01/0.X±0.3	COPY		projection		title	
B					.XXX±.005/0.XX±0.13					3ACP + 8S + 2P	
				angles	.XXX±.002/0.XXX±0.051					RIGHT ANGLE SOLDER HEADER	
				dr	0° ± 2°	INCH/MM		product family		PwrBlade	
				engr	T. BRUNGARD 11/15/04	scale		size		code	
				chr	M. GRAY 11/15/04	1:1		dwg no		213	
				opod	M. GRAY 11/15/04			51939-148		sheet	
sheet index	revision										4 of 4

code code 22526

Pro/E