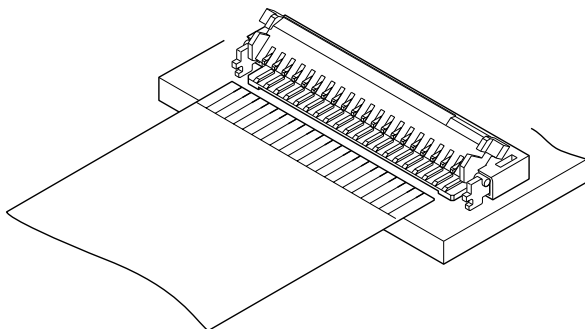


FHSY CONNECTOR

Connectors for FPC



This ZIF (zero insertion force) type flip lock FPC connector achieves a low profile feature of a 0.9mm (.035") mounting height despite the thickness of the FPC being 0.3mm (.012").



Features

- **Space saving design**

This space-saving housing realizes 3.4mm (.134") in depth.

- **Heat resistant design for surface mounting application**

The housing is made of heat resistant resin to allow reflow soldering.

- **Embossed tape for automatic mounting**

Supplied in embossed tape packaging for automatic surface mounting operation.

Specifications

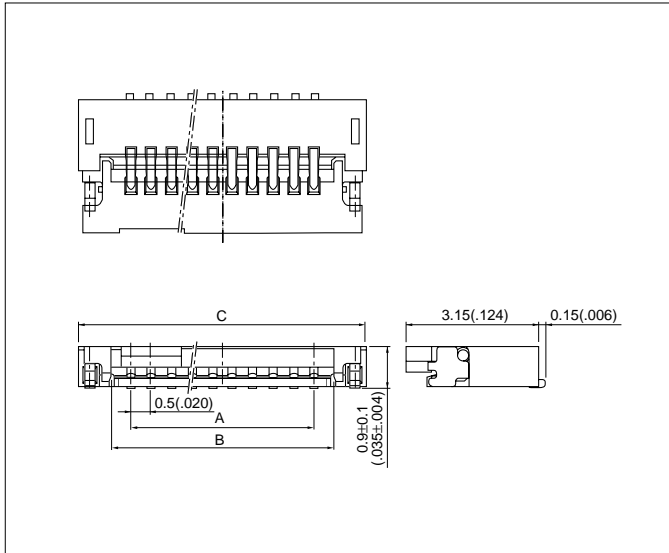
- Current rating: 0.5A AC, DC
 - Voltage rating: 50V AC, DC
 - Temperature range: -25°C to +85°C
(including temperature rise in applying electrical current)
 - Contact resistance: Initial value/60m Ω max.
After environmental testing/60m Ω max.
(Variance from the initial)
 - Insulation resistance: 800M Ω min.
 - Withstanding voltage: 200V AC/minute
 - Applicable FPC: Lead pitch/0.5mm (.020")
Lead width/0.35mm (.014")
Mating part thickness/
0.3±0.05mm (.012"±.002")
- * Contact JST if Lead-Free product is required.
* Refer to "General Instruction and Notice when using Terminals and Connectors" at the end of this catalog.
* Contact JST for details.

Standards

Recognized E60389

FHSY CONNECTOR

Connector

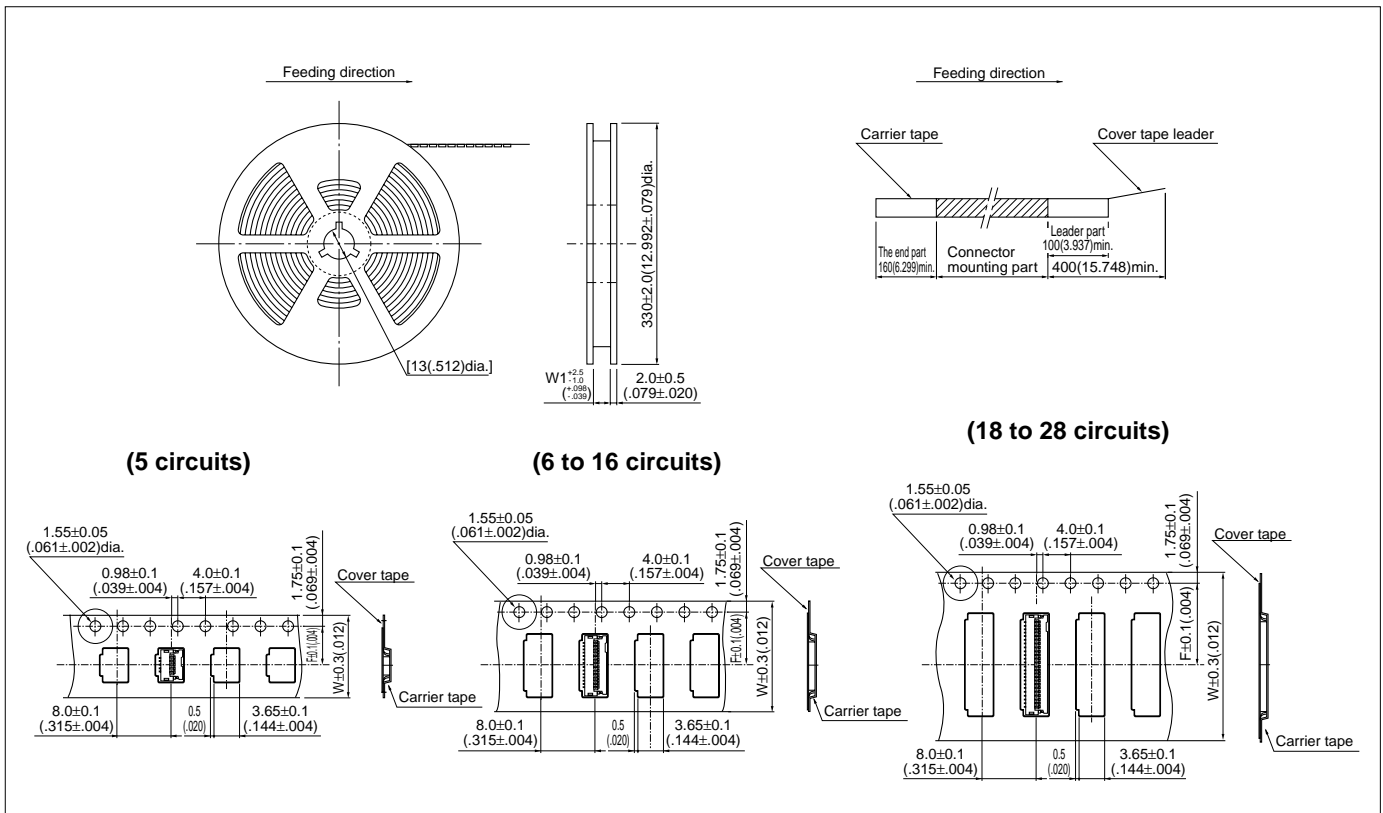


Circuits	Model No.	Dimensions mm(in.)			Q'ty / reel
		A	B	C	
5	05FHSY-RSM1-GAN-TB	2.0(.079)	3.0(.118)	4.56(.180)	3,000
6	06FHSY-RSM1-GAN-TB	2.5(.098)	3.5(.138)	5.06(.199)	3,000
11	11FHSY-RSM1-GAN-TB	5.0(.197)	6.0(.236)	7.56(.298)	3,000
12	12FHSY-RSM1-GAN-TB	5.5(.217)	6.5(.256)	8.06(.317)	3,000
16	16FHSY-RSM1-GAN-TB	7.5(.295)	8.5(.335)	10.06(.396)	3,000
18	18FHSY-RSM1-GAN-TB	8.5(.335)	9.5(.374)	11.06(.435)	3,000
20	20FHSY-RSM1-GAN-TB	9.5(.374)	10.5(.413)	12.06(.475)	3,000
24	24FHSY-RSM1-GAN-TB	11.5(.453)	12.5(.492)	14.06(.554)	3,000
28	28FHSY-RSM1-GAN-TB	13.5(.531)	14.5(.571)	16.06(.632)	3,000

Material and Finish

Contact: Copper alloy, nickel-undercoated, selective gold-plated
 Cover: Heat resisting resin, UL94V-0
 Housing: Heat resisting resin, UL94V-0
 Solder tab: Copper alloy, copper-undercoated, tin-plated

Taping specifications

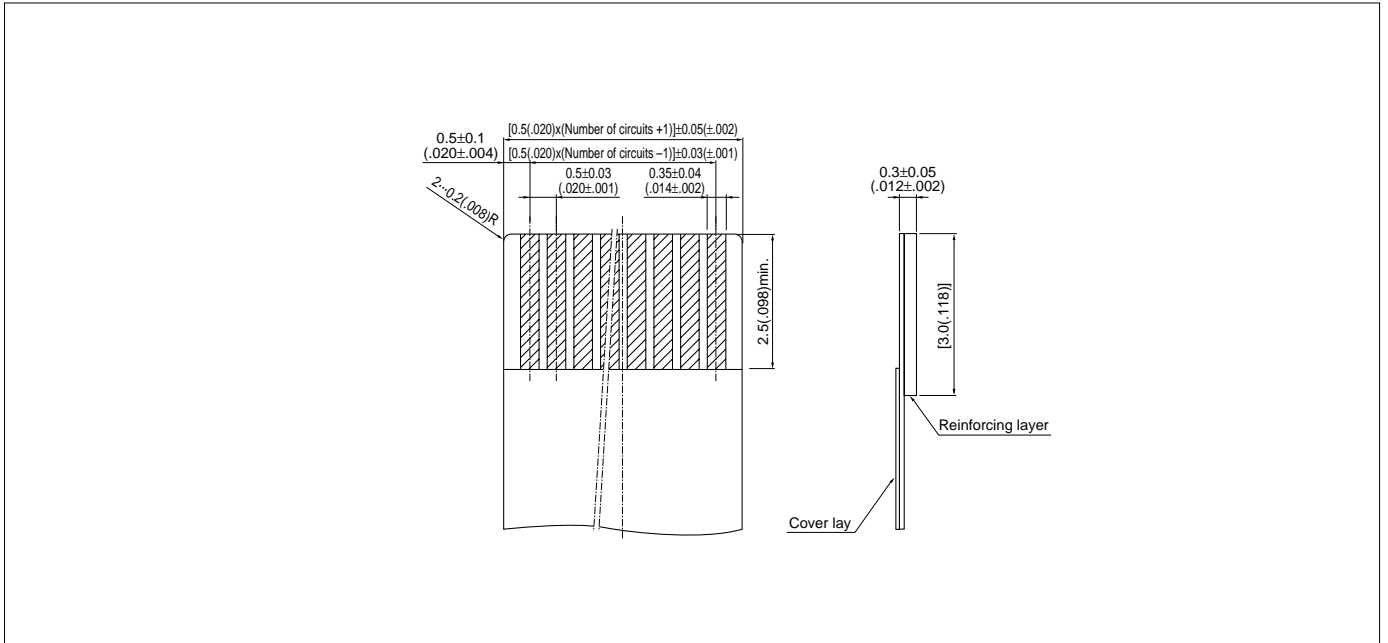


Circuits	Taping dimensions mm(in.)		Reel dimensions mm(in.)	Q'ty / reel
	F	W	W1	
5	5.5(.217)	12.0(.472)	17.5(.689)	3,000
6 to 16	7.5(.295)	16.0(.630)	17.5(.689)	3,000
18 to 28	11.5(.453)	24.0(.945)	25.5(1.004)	3,000

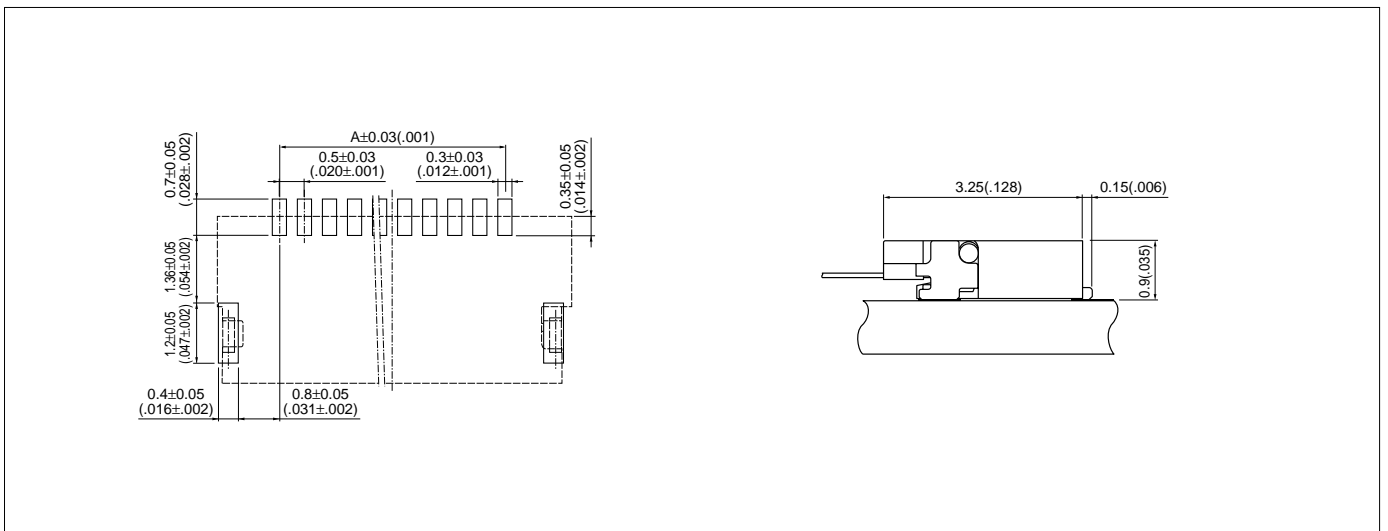
Note:

- Specifications conform to JIS C 0806. The tape width, connector loading recess square hole dimensions, etc. are determined by the number of circuits and external shape of the connector to be loaded.
- Specifications are subject to change without prior notice.

Lead section dimensions of FPC



PC board layout (viewed from component side) and Assembly layout



Note:

1. Tolerances are non-cumulative: $\pm 0.03\text{mm}$ ($\pm .001''$) for all centers.
2. The dimensions above should serve as a guideline. Contact JST for details.