

# ATTENUATORS

Type N, 50 Watts, up to 18 GHz

## SPECIFICATIONS:

Models: XXN50W-XX, XXN50W-XXF & XXN50W-XXM

**RoHS**  
Compliant

**AEROFLEX**  
A passion for performance.

### Electrical:

Frequency Range \_\_\_\_\_ DC - 18.0 GHz  
 Standard Freq. Values \_\_\_\_\_ 6 & 18 GHz  
 Standard dB Values\* \_\_\_\_\_ 3, 6, 10, 20, 30 & 40 dB  
 Attenuation Accuracy    DC - 6 GHz    6 - 12.4 GHz    12.4 - 18 GHz  
 3, & 6 dB \_\_\_\_\_ ±0.75 dB    ±0.75 dB    ±0.75 dB  
 10 & 20 dB \_\_\_\_\_ ±0.75 dB    ±0.75 dB    ±1.00 dB  
 30 dB \_\_\_\_\_ ±0.75 dB    ±1.00 dB    ±1.25 dB  
 40 dB \_\_\_\_\_ ±1.00 dB    ±1.25 dB    ±1.50 dB

### VSWR

DC - 6 GHz \_\_\_\_\_ 1.25:1 Max.  
 6 - 12.4 GHz \_\_\_\_\_ 1.35:1 Max.  
 12.4 - 18 GHz \_\_\_\_\_ 1.45:1 Max.

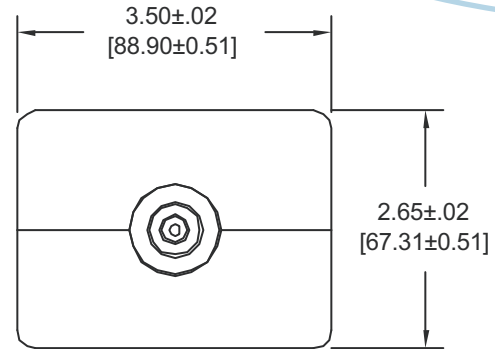
Input Power \_\_\_\_\_ 50 Watts Avg. @ 25°C  
Derated Linearly to 10 Watts @ +125°C

Peak Power \_\_\_\_\_ 500 Watts Max.  
(5µSec Pulse, .05% Duty Cycle)

Impedance \_\_\_\_\_ 50 Ohms  
 Operating Temp Range \_\_\_\_\_ -65°C to +125°C

### Mechanical:

Type N Connectors \_\_\_\_\_ Passivated Stainless Steel  
Mates with MIL-STD-348  
 Conductors \_\_\_\_\_ Gold Plated Beryllium Copper  
 Housing \_\_\_\_\_ Anodized Aluminum



END VIEW  
TYPICAL

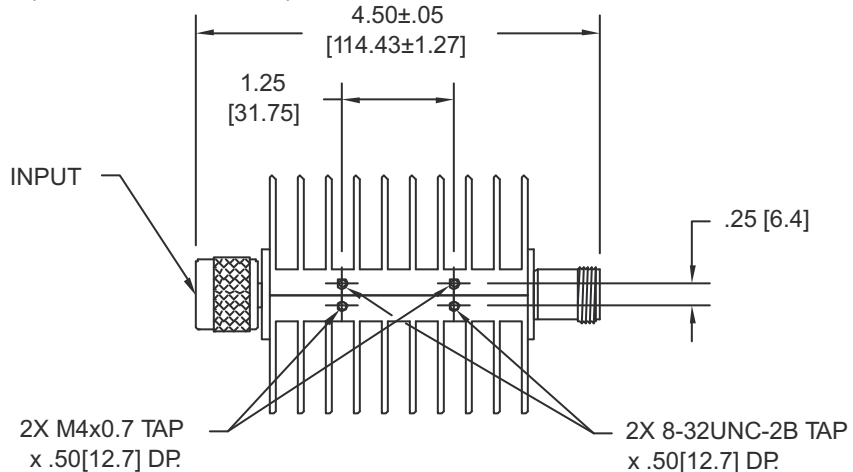
Units must be Mounted in such a way as to Allow for Free Air Flow Around fins to Insure Performance

Note: Units are Unidirectional, Therefore Input Connector MUST be Specified & will be Indicated on Unit

Model Number: **XXN50W-XX**  
 Male/Female Connectors  
 Length: 4.50 ±.05 [114.2 ±1.3]  
 Pictured

Model Number: **XXN50W-XXF**  
 Female/Female Connectors  
 Length: 4.58 ±.05 [116.2 ±1.3]

Model Number: **XXN50W-XXM**  
 Male/Male Connectors  
 Length: 4.41 ±.05 [112.0 ±1.3]



## HOW TO ORDER:

Model Number: **XXN50W-XXY**

Freq. Range    Connector Configuration

6 = DC - 6 GHz    = Male/Female (Male Input)  
 18 = DC - 18 GHz    F = Fem/Fem  
                                   M = Male/Male  
                                   FM = Female/Male (Female Input)

dB Value

### Ordering Examples:

Model Number: **18N50W-20**  
 DC - 18 GHz; 20 dB; Type N - Male/Fem (Male Input)

Model Number: **6N50W-02F**  
 DC - 6 GHz; 2 dB; Type N - Fem/Fem

Model Number: **6N50W-02FM**  
 DC - 6 GHz; 2 dB; Type N - Fem/Male (Female Input)

Note: Dimensions in Brackets are Expressed in Millimeters and are for Reference Only.  
 Design specifications are subject to change without notice.  
 Contact factory for technical specifications before purchasing or use.

XXN50W-XX: REV F (M)



Aeroflex / Inmet, Inc. • 300 Dino Drive, Ann Arbor, MI 48103 • U.S.A.  
 888-244-6638 or 734-426-5553 • FAX: 734-426-5557  
 www.aeroflex.com/inmet • inmet@aeroflex.com