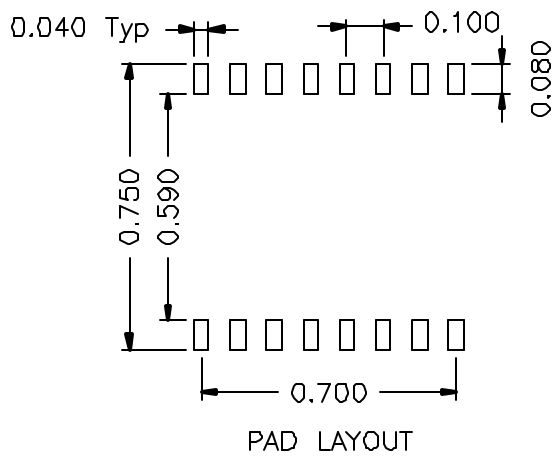
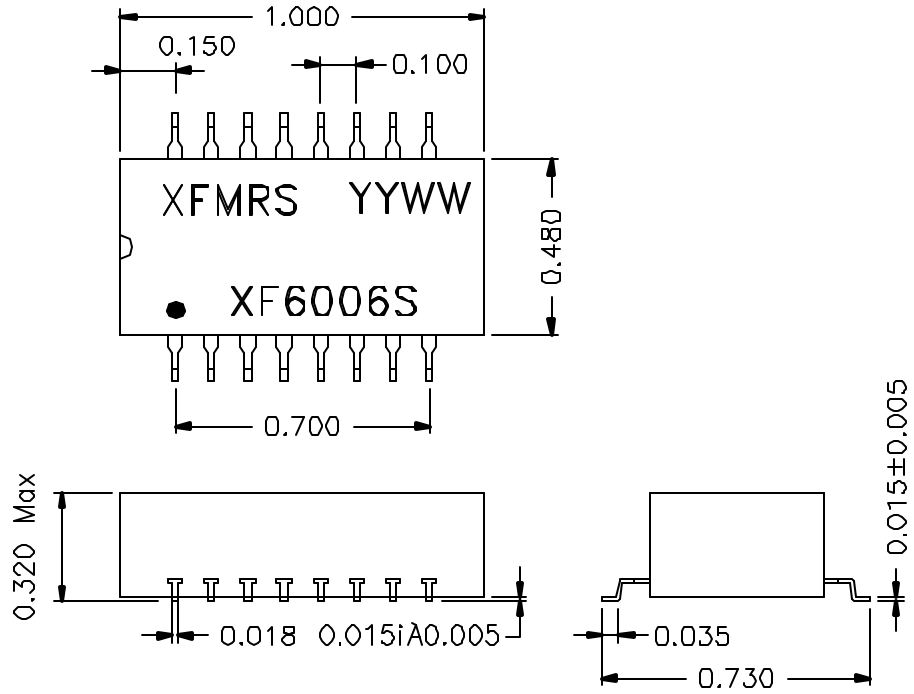
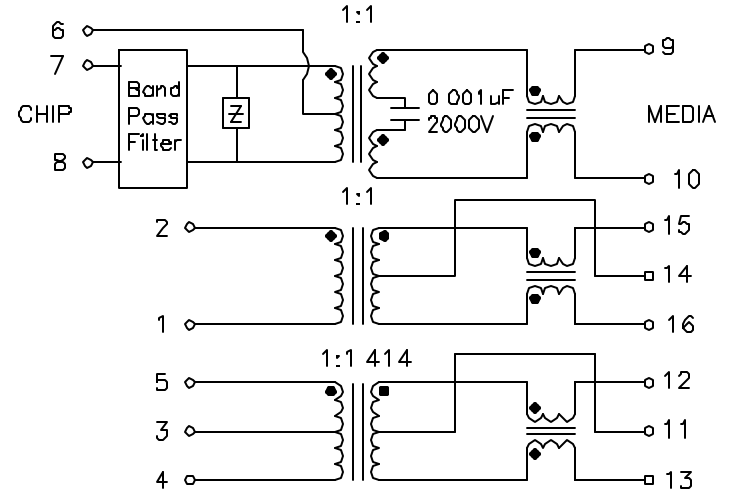


1. Dimensions:



2. Schematic:



SIDACTOR: P0300SA TECCOR ELECTROINCS, INC.

PRELIMINARY

DOC. REV: A/1

THIS DOCUMENT IS STRICTLY NOT ALLOWED TO BE DUPLICATED WITHOUT AUTHORIZATION

<b>XFMR INC.</b> UNLESS OTHERWISE SPECIFIED TOLERANCES: .xxx ±0.010 Dimensions in Inch SHT 1 OF 2	Title: BANDPASS FILTER	
	P/N: XF6006S	REV. A
	DWN. 廖玉坤	Jun-20-00
	CHK. 李清儿	Jun-20-00
APP. Joe Huff	Jun-20-00	

### 3. Electrical Specifications: @25°C

line withstand voltage. 1500Vrms

TUT

Passband (Typical): @3.5–11.5MHz

Passband (Max/Min): @4.25–9.75MHz

Insertion Loss: @1.0dB Min; 1.5dB Typ; 2.2dB Max

Return Loss: 12dB Min 6–9MHz match to 100 ohm

Attenuation @1.1MHz 60dB Min

@22MHz 35dB Min

@54MHz 50dB Min

CMRR (common mode to diff.): 40dB Min 0.2 to 22MHz

10BASE-T

OCL: 2–1, 5–4 200uH Typ @100KHz 100mV

LL: 2–1 1.2uH Max @100KHz 100mV 16–15 Shorted

LL: 4–5 0.7uH Max @100KHz 100mV 13–12 Shorted

CW/W 1+2 to 16+15: 12pF Max @100KHz 100mV

CW/W 4+5 to 13+12: 12pF Max @100KHz 100mV

DCR: 1–2, 4–5 0.30 Ohms Max

DCR: 16–15, 13–12 0.80 Ohms Max

INSERTION LOSS: 1.0dB Max @5–10MHz

RETURN LOSS: 18dB Min @5–10MHz

**PRELIMINARY**

DOC REV: A/1

<b>XFMR INC.</b>	Title: BANDPASS FILTER		
	UNLESS OTHERWISE SPECIFIED		REV. A
	P/N: XF6006S	DWN. 康玉坤 Jun-20-00	
	TOLERANCES: .xxx ±0.010 Dimensions in Inch	CHK. 李清IL	Jun-20-00
SHT 2 OF 2		APP. Joe Huff	Jun-20-00