

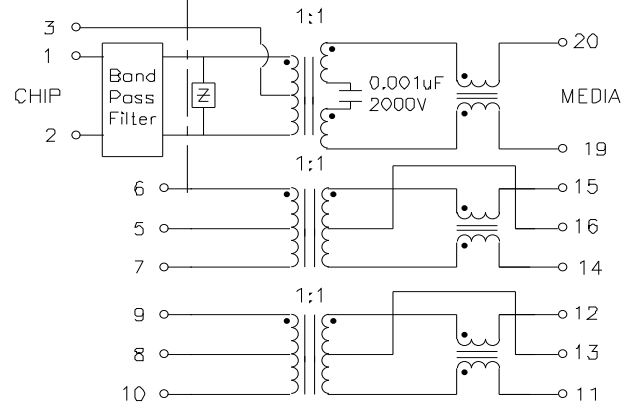
## HOME PHONE NETWORKING BANDPASS FILTER with 10/100 Base-TX

- \* For Rockwell RS7220 Chip
- \* Supports TUT Systems Home Run (HPNA) Technology
- \* Includes Sidactor, Isolation Xfmrs, Common Mode Choke and Bandpass Filters on HPNA Side
- \* Includes 10/100-TX Magnetics with Common Mode Chokes
- \* Pick & Place and IR Reflow Compatable
- \* -40 to +85C Temperature Range

### Electrical Specifications:

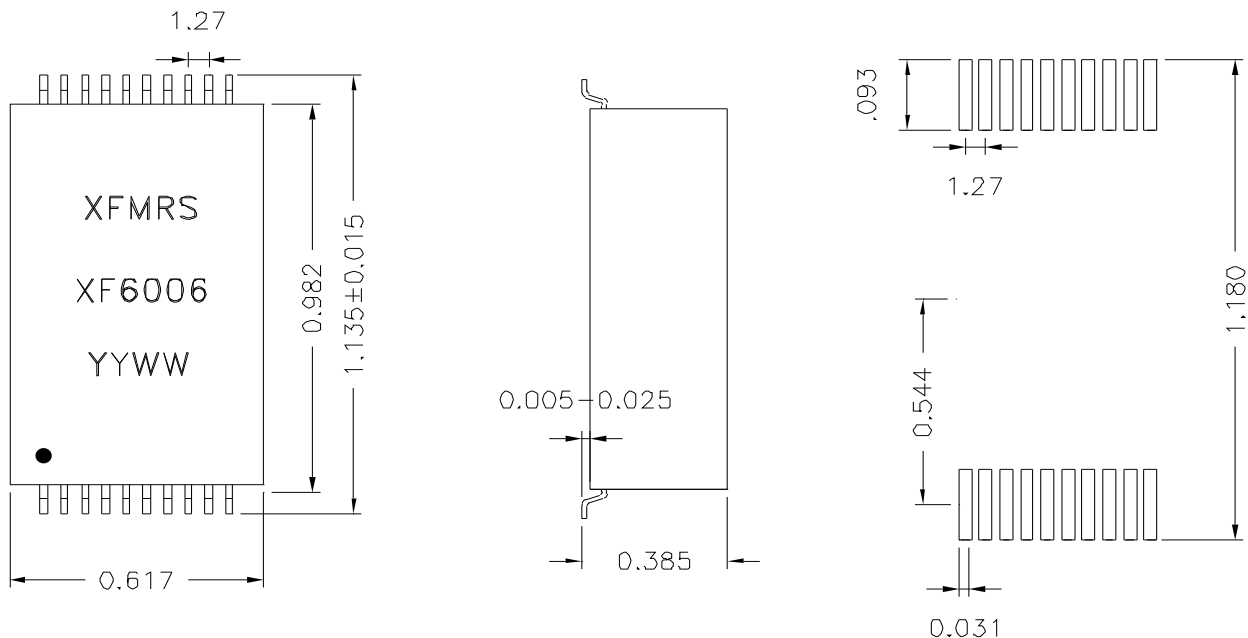
HIPOT: 1500Vrms (Input to Output)  
 OCL: 2-1, 5-4 350uH Min  
 @100KHz 50mV 8mADC  
 Insertion Loss: 6.0-9.0MHz -3dB Max  
 Return Loss: 6.0-9.0MHz -9dB Max  
 Attenuation: 1MHz -60dB Min  
 30MHz -45dB Min  
 Lower Band: 5.2-5.8MHz  
 Impedance: 100 Ohms

### Schematic:



SIDACTOR: P0300SA TECCOR ELECTROINCS, INC.

### Dimensions:



RECOMMENDED PCB LAYOUT