



HIGH RIPPLE-REJECTION AND SMALL PACKAGE CMOS VOLTAGE REGULATOR

www.sii-ic.com

© Seiko Instruments Inc., 2002-2010

Rev.5.0_00

The S-1323 Series is a positive voltage regulator with a low dropout voltage, high output voltage accuracy, and low current consumption developed based on CMOS technology.

A built-in low on-resistance transistor provides a low dropout voltage and large output current, and a built-in overcurrent protector prevents the load current from exceeding the current capacitance of the output transistor. An ON/OFF circuit ensures a long battery life. Compared with the voltage regulators using the conventional CMOS process, a larger variety of capacitors are available, including small ceramic capacitors. Small SNT-4A and SC-82AB packages realize high-density mounting.

■ Features

- Output voltage: 1.5 V to 5.5 V, selectable in 0.1 V steps.
- High-accuracy output voltage: $\pm 1.0\%$
- Low current consumption: During operation: 70 μA typ., 90 μA max.
During shutdown: 0.1 μA typ., 1.0 μA max.
- High peak current capability: 150 mA output is possible (at $V_{\text{IN}} \geq V_{\text{OUT(S)}} + 1.0 \text{ V}$)^{*1}
- Built-in ON/OFF circuit: Ensures long battery life.
- Low ESR capacitor can be used: A ceramic capacitor of 1.0 μF or more can be used for the output capacitor.
- High ripple rejection: 70 dB typ. (at 1.0 kHz)
- Built-in overcurrent protector: Overcurrent of output transistor can be restricted.
- Lead-free, Sn 100%, halogen-free^{*2}

*1. Attention should be paid to the power dissipation of the package when the output current is large.

*2. Refer to “■ Product Name Structure” for details.

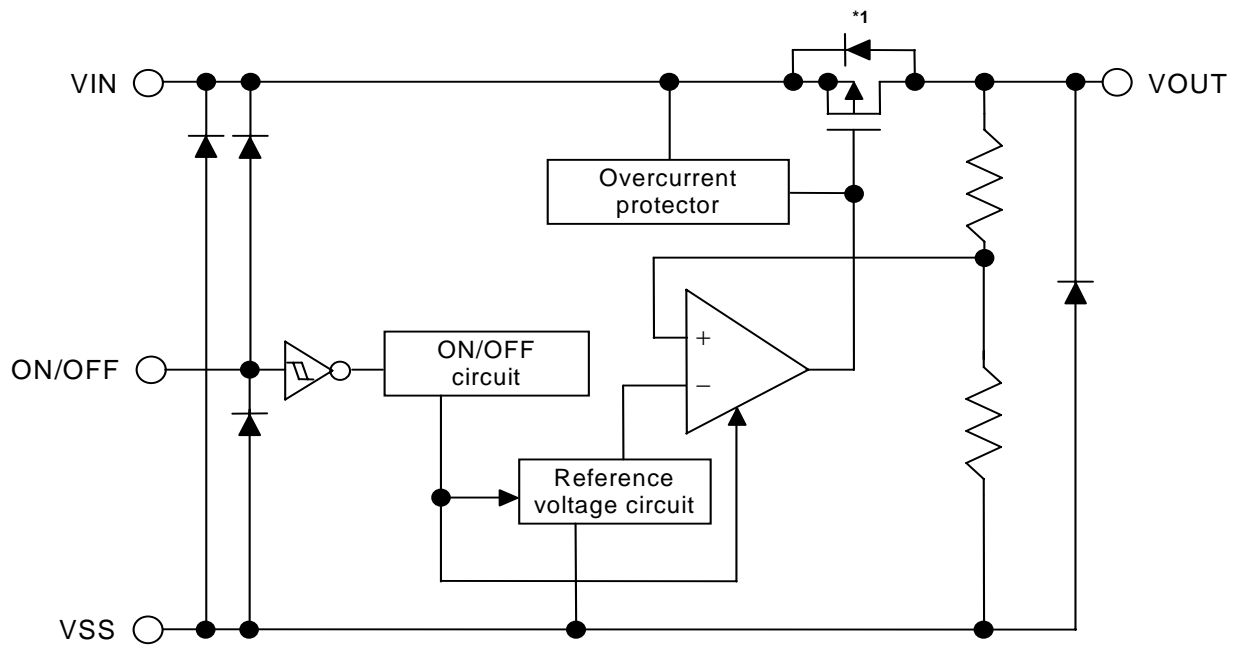
■ Applications

- Power supply for battery-powered devices
- Power supply for personal communication devices
- Power supply for home electric/electronic appliances
- Power supply for cellular phones

■ Packages

- SNT-4A
- SC-82AB

■ Block Diagram



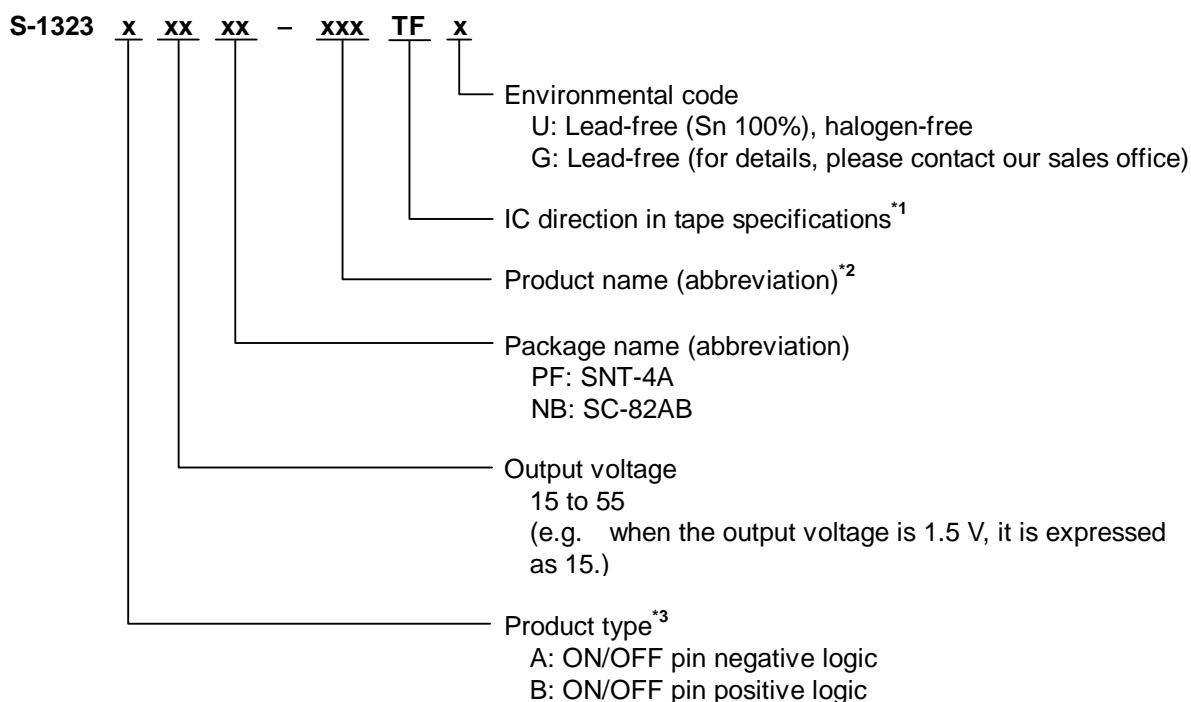
*1. Parasitic diode

Figure 1

■ Product Name Structure

The product types, output voltage and package types for the S-1323 Series can be selected at the user's request. Refer to the "1. Product name" for the meanings of the characters in the product name, "2. Package" regarding the package drawings and "3. Product name list" for the full product names.

1. Product name



*1. Refer to the tape specifications at the end of this book.

*2. Refer to the product name list.

*3. Refer to 3. Shutdown (ON/OFF pin) under the Operation.

2. Package

Package Name	Drawing Code			
	Package	Tape	Reel	Land
SNT-4A	PF004-A-P-SD	PF004-A-C-SD	PF004-A-R-SD	PF004-A-L-SD
SC-82AB	NP004-A-P-SD	NP004-A-C-SD NP004-A-C-S1	NP004-A-R-SD	—

3. Product name list

Table 1

Output Voltage	SNT-4A	SC-82AB
1.5V±1.0%	S-1323B15PF-N8ATF _x	S-1323B15NB-N8ATF _x
1.6V±1.0%	S-1323B16PF-N8BTF _x	S-1323B16NB-N8BTF _x
1.7V±1.0%	S-1323B17PF-N8CTF _x	S-1323B17NB-N8CTF _x
1.8V±1.0%	S-1323B18PF-N8DTF _x	S-1323B18NB-N8DTF _x
1.85V±1.0%	S-1323B1JPF-N9PTF _x	—
1.9V±1.0%	S-1323B19PF-N8ETF _x	S-1323B19NB-N8ETF _x
2.0V±1.0%	S-1323B20PF-N8FTF _x	S-1323B20NB-N8FTF _x
2.1V±1.0%	S-1323B21PF-N8GTF _x	S-1323B21NB-N8GTF _x
2.2V±1.0%	S-1323B22PF-N8HTF _x	S-1323B22NB-N8HTF _x
2.3V±1.0%	S-1323B23PF-N8ITF _x	S-1323B23NB-N8ITF _x
2.4V±1.0%	S-1323B24PF-N8JTF _x	S-1323B24NB-N8JTF _x
2.5V±1.0%	S-1323B25PF-N8KTF _x	S-1323B25NB-N8KTF _x
2.6V±1.0%	S-1323B26PF-N8LTF _x	S-1323B26NB-N8LTF _x
2.7V±1.0%	S-1323B27PF-N8MTF _x	S-1323B27NB-N8MTF _x
2.8V±1.0%	S-1323B28PF-N8NTF _x	S-1323B28NB-N8NTF _x
2.85V±1.0%	S-1323B2JPF-N9QTF _x	—
2.9V±1.0%	S-1323B29PF-N8OTF _x	S-1323B29NB-N8OTF _x
3.0V±1.0%	S-1323B30PF-N8PTF _x	S-1323B30NB-N8PTF _x
3.1V±1.0%	S-1323B31PF-N8QTF _x	S-1323B31NB-N8QTF _x
3.2V±1.0%	S-1323B32PF-N8RTF _x	S-1323B32NB-N8RTF _x
3.3V±1.0%	S-1323B33PF-N8STF _x	S-1323B33NB-N8STF _x
3.4V±1.0%	S-1323B34PF-N8TTF _x	S-1323B34NB-N8TTF _x
3.5V±1.0%	S-1323B35PF-N8UTF _x	S-1323B35NB-N8UTF _x
3.6V±1.0%	S-1323B36PF-N8VTF _x	S-1323B36NB-N8VTF _x
3.7V±1.0%	S-1323B37PF-N8WTF _x	S-1323B37NB-N8WTF _x
3.8V±1.0%	S-1323B38PF-N8XTF _x	S-1323B38NB-N8XTF _x
3.9V±1.0%	S-1323B39PF-N8YTF _x	S-1323B39NB-N8YTF _x
4.0V±1.0%	S-1323B40PF-N8ZTF _x	S-1323B40NB-N8ZTF _x
4.1V±1.0%	S-1323B41PF-N9ATF _x	S-1323B41NB-N9ATF _x
4.2V±1.0%	S-1323B42PF-N9BTF _x	S-1323B42NB-N9BTF _x
4.3V±1.0%	S-1323B43PF-N9CTF _x	S-1323B43NB-N9CTF _x
4.4V±1.0%	S-1323B44PF-N9DTF _x	S-1323B44NB-N9DTF _x
4.5V±1.0%	S-1323B45PF-N9ETF _x	S-1323B45NB-N9ETF _x
4.6V±1.0%	S-1323B46PF-N9FTF _x	S-1323B46NB-N9FTF _x
4.7V±1.0%	S-1323B47PF-N9GTF _x	S-1323B47NB-N9GTF _x
4.8V±1.0%	S-1323B48PF-N9HTF _x	S-1323B48NB-N9HTF _x
4.9V±1.0%	S-1323B49PF-N9ITF _x	S-1323B49NB-N9ITF _x
5.0V±1.0%	S-1323B50PF-N9JTF _x	S-1323B50NB-N9JTF _x
5.1V±1.0%	S-1323B51PF-N9KTF _x	S-1323B51NB-N9KTF _x
5.2V±1.0%	S-1323B52PF-N9LTF _x	S-1323B52NB-N9LTF _x
5.3V±1.0%	S-1323B53PF-N9MTF _x	S-1323B53NB-N9MTF _x
5.4V±1.0%	S-1323B54PF-N9NTF _x	S-1323B54NB-N9NTF _x
5.5V±1.0%	S-1323B55PF-N9OTF _x	S-1323B55NB-N9OTF _x

Remark 1. Please contact the SII marketing department for type A products.

2. x: G or U

3. Please select products of environmental code = U for Sn 100%, halogen-free products.

■ Pin Configurations

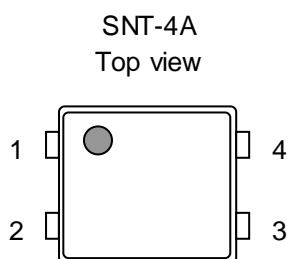


Figure 2

Table 2

Pin No.	Symbol	Description
1	VOUT	Output voltage pin
2	VIN	Input voltage pin
3	ON/OFF	Shutdown pin
4	VSS	GND pin

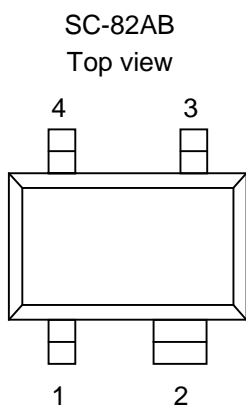


Figure 3

Table 3

Pin No.	Symbol	Description
1	VOUT	Output voltage pin
2	VSS	GND pin
3	ON/OFF	Shutdown pin
4	VIN	Input voltage pin

■ **Absolute Maximum Ratings**

Table 4

(Ta = 25°C unless otherwise specified)

Item	Symbol	Absolute Maximum Rating	Unit	
Input voltage	V _{IN}	V _{SS} -0.3 ~ V _{SS} +7	V	
	V _{ON/OFF}	V _{SS} -0.3 ~ V _{IN} +0.3	V	
Output voltage	V _{OUT}	V _{SS} -0.3 ~ V _{IN} +0.3	V	
Power dissipation	P _D	SNT-4A	300*1	mW
		SC-82AB	200 (When not mounted on board)	mW
			400*1	mW
Operating ambient temperature	T _{opr}	-40 ~ +85	°C	
Storage temperature	T _{stg}	-40 ~ +125	°C	

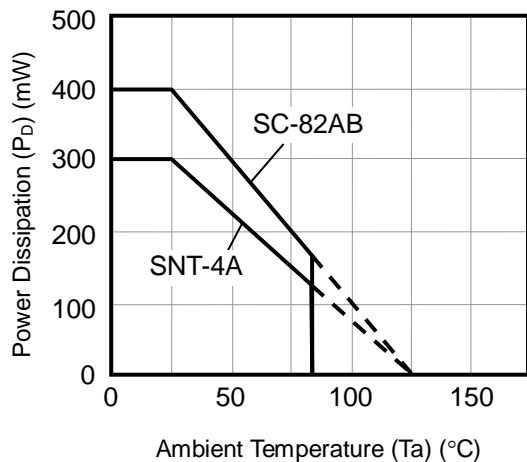
*1. When mounted on board

[Mounted board]

- (1) Board size: 114.3 mm x 76.2 mm x t1.6 mm
- (2) Board name: JEDEC STANDARD51-7

Caution The absolute maximum ratings are rated values exceeding which the product could suffer physical damage. These values must therefore not be exceeded under any conditions.

(1) When mounted on board



(2) When not mounted on board

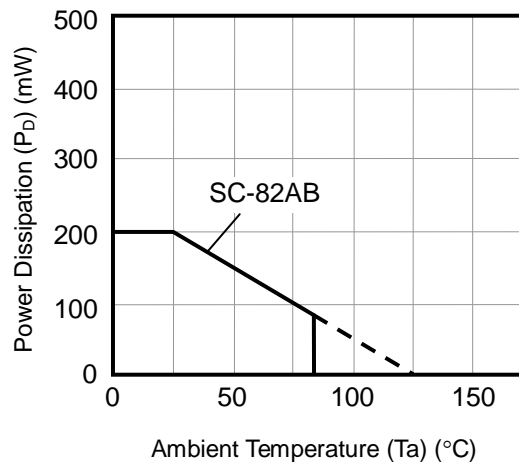


Figure 4 Power Dissipation of Package

■ Electrical Characteristics

Table 5

(Ta = 25°C unless otherwise specified)

Item	Symbol	Conditions	Min.	Typ.	Max.	Unit	Test Circuit
Output voltage*1	V _{OUT(E)}	V _{IN} = V _{OUT(S)} + 1.0 V, I _{OUT} = 30 mA	V _{OUT(S)} × 0.99	V _{OUT(S)}	V _{OUT(S)} × 1.01	V	1
Output current*2	I _{OUT}	V _{IN} ≥ V _{OUT(S)} + 1.0 V	150*5	—	—	mA	3
Dropout voltage*3	V _{drop}	I _{OUT} = 150 mA	—	0.50	0.65	V	1
Line regulation	$\frac{\Delta V_{OUT1}}{\Delta V_{IN} \bullet V_{OUT}}$	V _{OUT(S)} + 0.5 V ≤ V _{IN} ≤ 6.5 V, I _{OUT} = 30 mA	—	0.02	0.1	% / V	1
Load regulation	ΔV _{OUT2}	V _{IN} = V _{OUT(S)} + 1.0 V, 1.0 mA ≤ I _{OUT} ≤ 150 mA	—	20	40	mV	1
Output voltage temperature coefficient*4	$\frac{\Delta V_{OUT}}{\Delta T_a \bullet V_{OUT}}$	V _{IN} = V _{OUT(S)} + 1.0 V, I _{OUT} = 30 mA, -40°C ≤ Ta ≤ 85°C	—	±100	—	ppm/ °C	1
Current consumption during operation	I _{SS1}	V _{IN} = V _{OUT(S)} + 1.0 V, ON/OFF pin = ON, no load	—	70	90	μA	2
Current consumption during shutdown	I _{SS2}	V _{IN} = V _{OUT(S)} + 1.0 V, ON/OFF pin = OFF, no load	—	0.1	1.0	μA	2
Input voltage	V _{IN}	—	2.0	—	6.5	V	—
Shutdown pin input voltage "H"	V _{SH}	V _{IN} = V _{OUT(S)} + 1.0 V, R _L = 1.0 kΩ	1.5	—	—	V	4
Shutdown pin input voltage "L"	V _{SL}	V _{IN} = V _{OUT(S)} + 1.0 V, R _L = 1.0 kΩ	—	—	0.3	V	4
Shutdown pin input current "H"	I _{SH}	V _{IN} = 6.5 V, V _{ON/OFF} = 6.5 V	-0.1	—	0.1	μA	4
Shutdown pin input current "L"	I _{SL}	V _{IN} = 6.5 V, V _{ON/OFF} = 0 V	-0.1	—	0.1	μA	4
Ripple rejection	RR	V _{IN} = V _{OUT(S)} + 1.0 V, f = 1.0 kHz, ΔV _{rip} = 0.5 V _{rms} , I _{OUT} = 30 mA	—	70	—	dB	5
Short-circuit current	I _{short}	V _{IN} = V _{OUT(S)} + 1.0 V, ON/OFF pin = ON, V _{OUT} = 0 V	—	250	—	mA	3

*1. V_{OUT(S)}: Specified output voltage

V_{OUT(E)}: Actual output voltage at the fixed load

The output voltage when fixing I_{OUT}(= 30 mA) and inputting V_{OUT(S)} + 1.0 V

*2. The output current at which the output voltage becomes 95% of V_{OUT(E)} after gradually increasing the output current.

*3. V_{drop} = V_{IN1} - (V_{OUT3} × 0.98)

V_{OUT3} is the output voltage when V_{IN} = V_{OUT(S)} + 1.0 V and I_{OUT} = 150 mA.

V_{IN1} is the input voltage at which the output voltage becomes 98% of V_{OUT3} after gradually decreasing the input voltage.

*4. The change in temperature [mV/°C] is calculated using the following equation.

$$\frac{\Delta V_{OUT}}{\Delta T_a} [\text{mV}/^\circ\text{C}]^{\ast 1} = V_{OUT(S)} [\text{V}]^{\ast 2} \times \frac{\Delta V_{OUT}}{\Delta T_a \bullet V_{OUT}} [\text{ppm}/^\circ\text{C}]^{\ast 3} \div 1000$$

*1. The change in temperature of the output voltage

*2. Specified output voltage

*3. Output voltage temperature coefficient

*5. The output current can be at least this value.

Due to restrictions on the package power dissipation, this value may not be satisfied. Attention should be paid to the power dissipation of the package when the output current is large.

This specification is guaranteed by design.

■ **Test Circuits**

1.

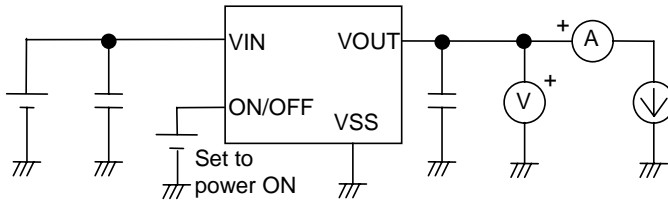


Figure 5

2.

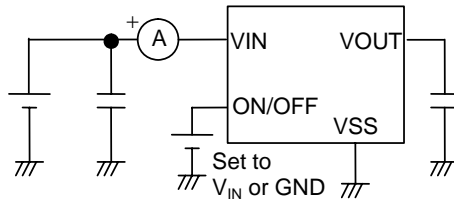


Figure 6

3.

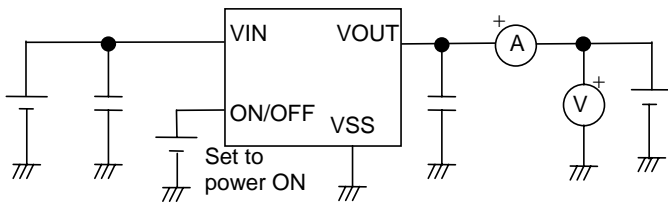


Figure 7

4.

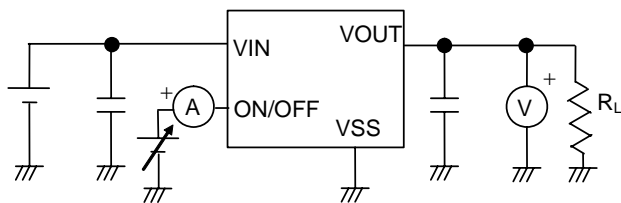


Figure 8

5.

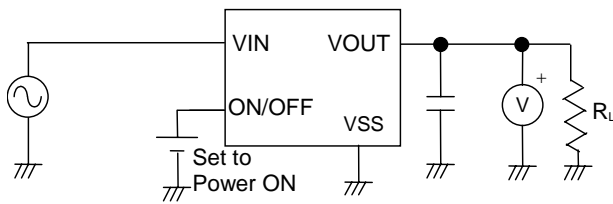
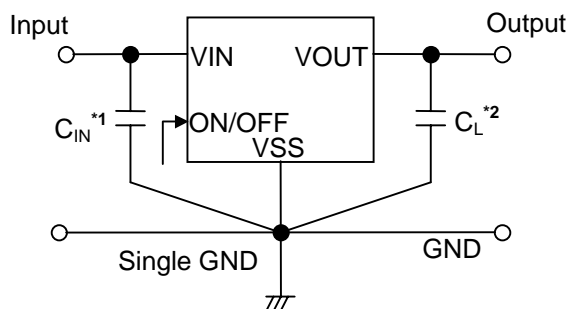


Figure 9

■ Standard Circuit



*1. C_{IN} is a capacitor for stabilizing the input.

*2. A ceramic capacitor of 1.0 μF or more can be used in C_L .

Figure 10

Caution The above connection diagram and constant will not guarantee successful operation. Perform thorough evaluation using the actual application to set the constant.

■ Application Conditions

Input capacitor (C_{IN}): 1.0 μF or more

Output capacitor (C_L): 1.0 μF or more

ESR of output capacitor: 10 Ω or less

Caution A general series regulator may oscillate, depending on the external components selected. Check that no oscillation occurs with the application using the above capacitor.

■ **Explanation of Terms**

1. Low dropout voltage regulator

The low dropout voltage regulator is a voltage regulator whose dropout voltage is low due to its built-in low on-resistance transistor.

2. Low ESR

A capacitor whose ESR (Equivalent Series Resistance) is low. The S-1323 Series enables use of a low ESR capacitor, such as a ceramic capacitor, for the output-side capacitor C_L . A capacitor whose ESR is 10Ω or less can be used.

3. Output voltage (V_{OUT})

The accuracy of the output voltage is ensured at $\pm 1.0\%$ under the specified conditions of fixed input voltage^{*1}, fixed output current, and fixed temperature.

*1. Differs depending the product.

Caution If the above conditions change, the output voltage value may vary and exceed the accuracy range of the output voltage. Please see the electrical characteristics and attached characteristics data for details.

4. Line regulation $\left(\frac{\Delta V_{OUT1}}{\Delta V_{IN} \cdot V_{OUT}} \right)$

Indicates the dependency of the output voltage on the input voltage. That is, the values show how much the output voltage changes due to a change in the input voltage with the output current remaining unchanged.

5. Load regulation (ΔV_{OUT2})

Indicates the dependency of the output voltage on the output current. That is, the values show how much the output voltage changes due to a change in the output current with the input voltage remaining unchanged.

6. Dropout voltage (V_{drop})

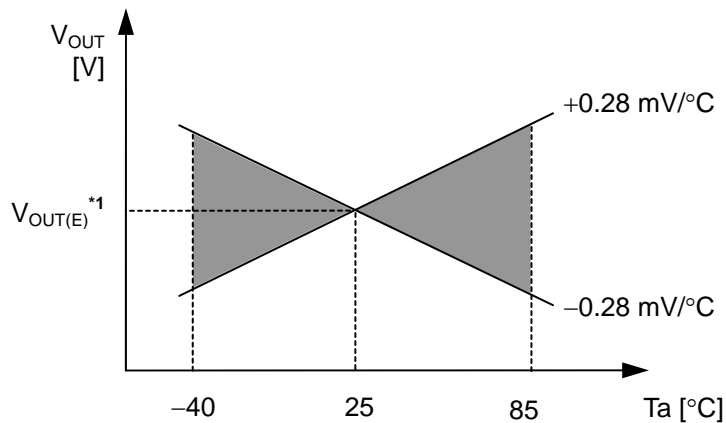
Indicates the difference between the input voltage V_{IN1} , which is the input voltage (V_{IN}) at the point where the output voltage has fallen to 98% of the output voltage value V_{OUT3} after V_{IN} was gradually decreased from $V_{IN} = V_{OUT(S)} + 1.0 \text{ V}$, and the output voltage at that point ($V_{OUT3} \times 0.98$).

$$V_{drop} = V_{IN1} - (V_{OUT3} \times 0.98)$$

7. Temperature coefficient of output voltage $\left(\frac{\Delta V_{OUT}}{\Delta T_a \bullet V_{OUT}} \right)$

The shadowed area in **Figure 11** is the range where V_{OUT} varies in the operating temperature range when the temperature coefficient of the output voltage is ± 100 ppm/ $^{\circ}\text{C}$.

Ex. S-1323B28 Typ.



*1. $V_{OUT(E)}$ is the value of the output voltage measured at 25°C.

Figure 11

A change in the temperature of the output voltage [mV/ $^{\circ}\text{C}$] is calculated using the following equation.

$$\frac{\Delta V_{OUT}}{\Delta T_a} [\text{mV}/^{\circ}\text{C}]^{*1} = V_{OUT(S)} [\text{V}]^{*2} \times \frac{\Delta V_{OUT}}{\Delta T_a \bullet V_{OUT}} [\text{ppm}/^{\circ}\text{C}]^{*3} \div 1000$$

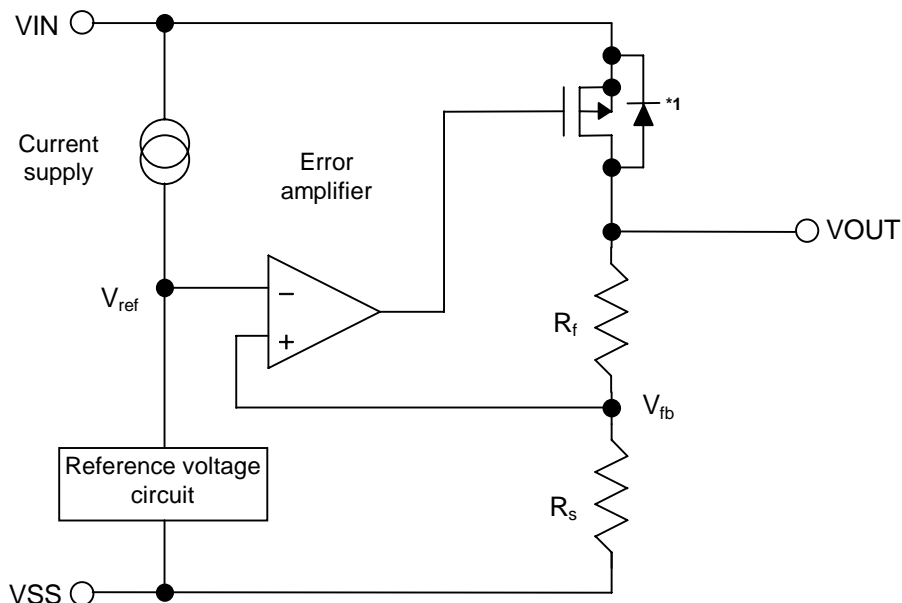
- *1. Change in temperature of output voltage
- *2. Specified output voltage
- *3. Output voltage temperature coefficient

■ **Operation**

1. **Basic operation**

Figure 12 shows the block diagram of the S-1323 Series.

The error amplifier compares the reference voltage (V_{ref}) with V_{fb} , which is the output voltage resistance-divided by feedback resistors R_s and R_f . It supplies the output transistor with the gate voltage necessary to ensure a certain output voltage free of any fluctuations of input voltage and temperature.



*1. Parasitic diode

Figure 12

2. **Output transistor**

The S-1323 Series uses a low on-resistance P-channel MOS FET as the output transistor. Be sure that V_{OUT} does not exceed $V_{IN} + 0.3$ V to prevent the voltage regulator from being damaged due to inverse current flowing from VOUT pin through a parasitic diode to VIN pin.

3. Shutdown pin (ON/OFF pin)

This pin starts and stops the regulator.

When the ON/OFF pin is set to the shutdown level, the operation of all internal circuits stops, and the built-in P-channel MOS FET output transistor between the VIN pin and VOUT pin is turned off to substantially reduce the current consumption. The VOUT pin becomes the V_{SS} level due to the internally divided resistance of several hundreds kΩ between the VOUT pin and VSS pin.

The structure of the ON/OFF pin is as shown in **Figure 13**. Since the ON/OFF pin is neither pulled down nor pulled up internally, do not use it in the floating state. In addition, note that the current consumption increases if a voltage of 0.3 V to V_{IN} - 0.3 V is applied to the ON/OFF pin. When the ON/OFF pin is not used, connect it to the VSS pin if the logic type is “A” and to the VIN pin if it is “B”.

Table 6

Logic Type	ON/OFF Pin	Internal Circuits	VOUT Pin Voltage	Current Consumption
A	“L”: Power on	Operating	Set value	I _{SS1}
A	“H”: Power off	Stopped	V _{SS} level	I _{SS2}
B	“L”: Power off	Stopped	V _{SS} level	I _{SS2}
B	“H”: Power on	Operating	Set value	I _{SS1}

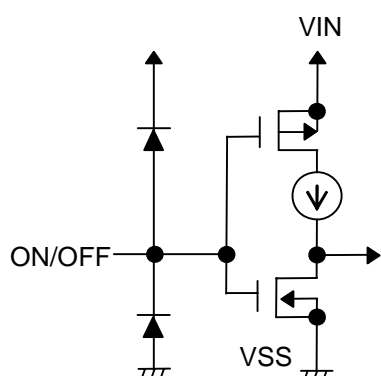


Figure 13

■ Selection of Output Capacitor (C_L)

The S-1323 Series requires an output capacitor between the VOUT and VSS pins for phase compensation. A ceramic capacitor with a capacitance of 1.0 μF or more can be used. Even if using an OS capacitor, tantalum capacitor, or aluminum electrolytic capacitor, a capacitance of 1.0 μF or more and an ESR of 10 Ω or less are required.

The value of the output overshoot or undershoot transient response varies depending on the value of the output capacitor.

When selecting the output capacitor, perform sufficient evaluation, including evaluation of temperature characteristics, on the actual device.

■ **Precautions**

- Wiring patterns for the VIN, VOUT and GND pins should be designed so that the impedance is low. When mounting an output capacitor between the VOUT and VSS pins (C_L) and a capacitor for stabilizing the input between VIN and VSS pins (C_{IN}), the distance from the capacitors to these pins should be as short as possible.
- Note that the output voltage may increase when a series regulator is used at low load current (1.0 mA or less).
- Generally a series regulator may cause oscillation, depending on the selection of external parts. The following conditions are recommended for this IC. However, be sure to perform sufficient evaluation under the actual usage conditions for selection, including evaluation of temperature characteristics.

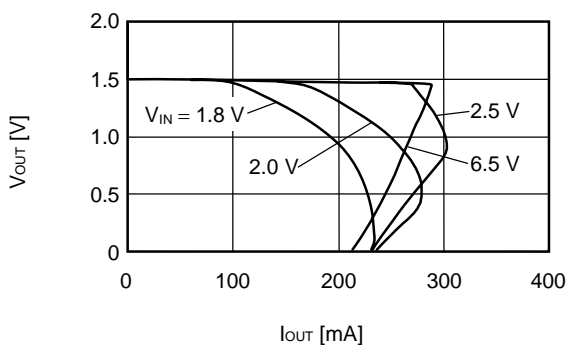
Input capacitor (C_{IN}):	1.0 μ F or more
Output capacitor (C_L):	1.0 μ F or more
Equivalent series resistance (ESR):	10 Ω or less

- The voltage regulator may oscillate when the impedance of the power supply is high and the input capacitor is small or an input capacitor is not connected.
- The application conditions for the input voltage, output voltage, and load current should not exceed the package power dissipation.
- Do not apply an electrostatic discharge to this IC that exceeds the performance ratings of the built-in electrostatic protection circuit.
- In determining the output current, attention should be paid to the output current value specified in **Table 5** in the electrical characteristics and footnote *5 of the table.
- SII claims no responsibility for any disputes arising out of or in connection with any infringement by products including this IC of patents owned by a third party.

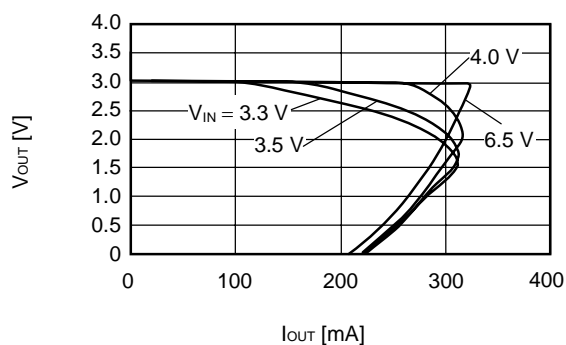
■ Characteristics (Typical Data)

(1) Output Voltage vs. Output current (when load current increases)

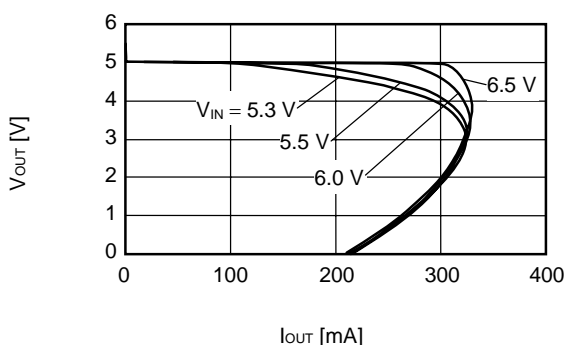
S-1323B15 (Ta = 25°C)



S-1323B30 (Ta = 25°C)



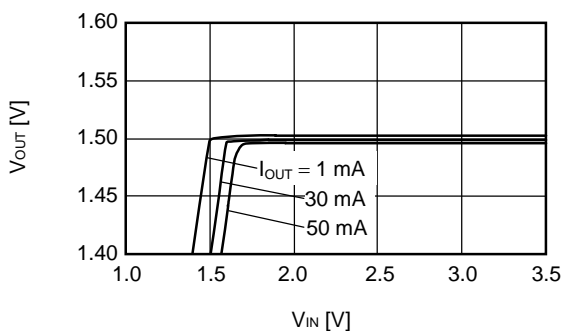
S-1323B50 (Ta = 25°C)



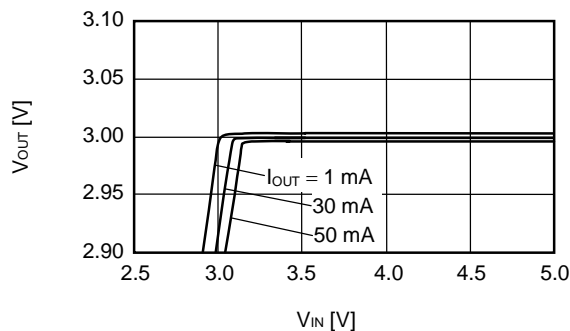
Remark In determining the output current, attention should be paid to the following.
 1) The minimum output current value and footnote *5 in the electrical characteristics
 2) The package power dissipation

(2) Output voltage vs. Input voltage

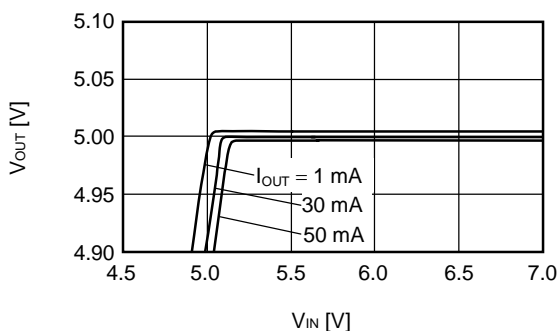
S-1323B15 (Ta = 25°C)



S-1323B30 (Ta = 25°C)

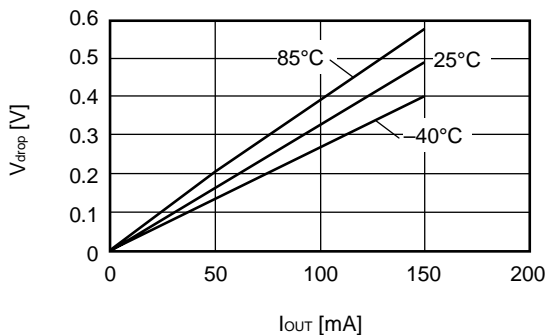


S-1323B50 (Ta = 25°C)

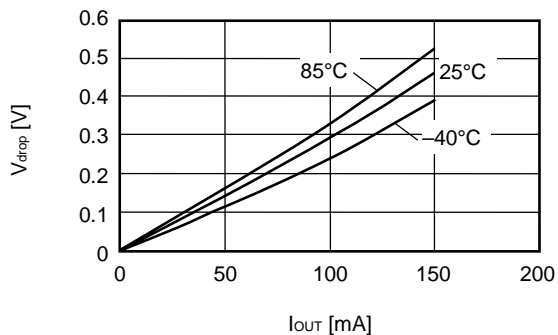


(3) Dropout voltage vs. Output current

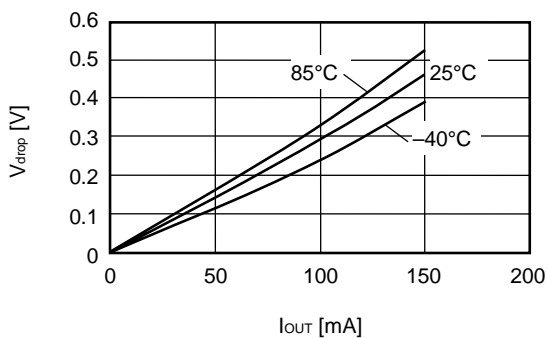
S-1323B15



S-1323B30

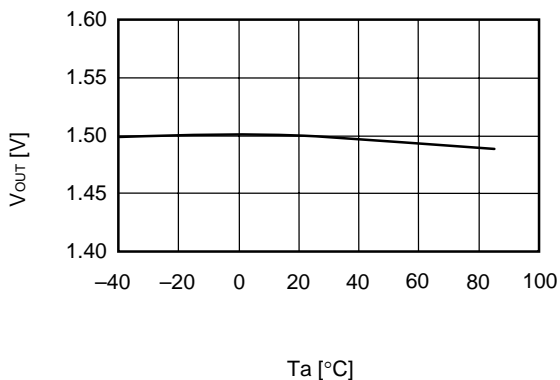


S-1323B50

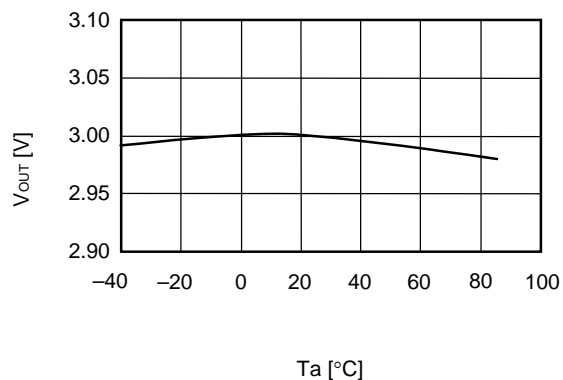


(4) Output voltage vs. Ambient temperature

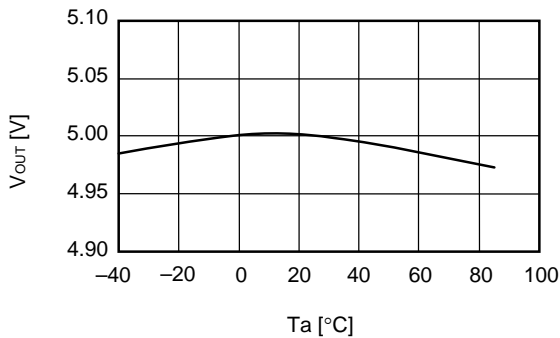
S-1323B15



S-1323B30

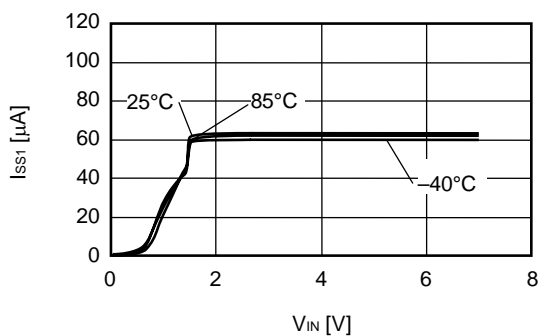


S-1323B50

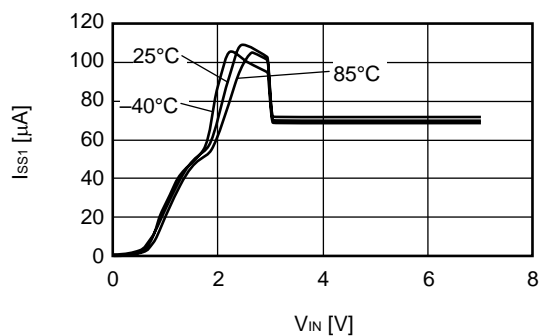


(5) Current consumption vs. Input voltage

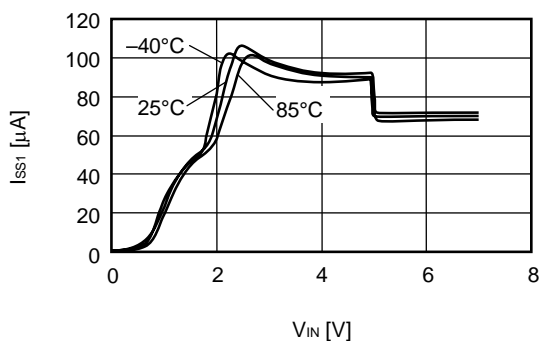
S-1323B15



S-1323B30



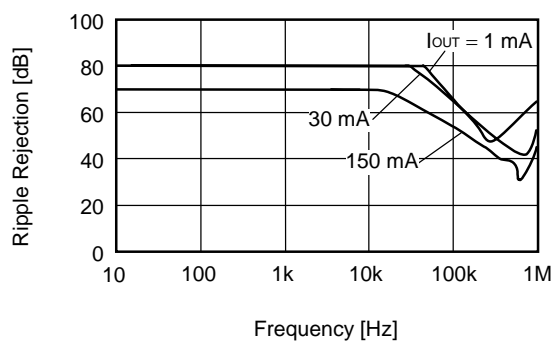
S-1323B50



(6) Ripple rejection

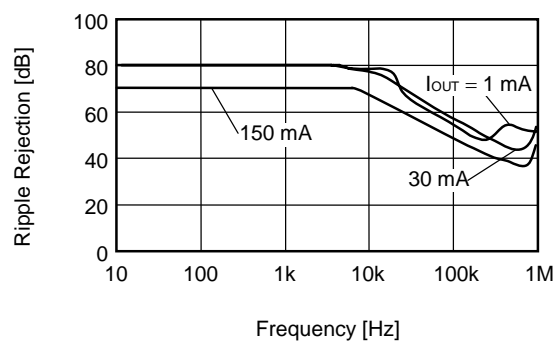
S-1323B15 ($T_a = 25^\circ C$)

$V_{IN} = 2.5 V, C_{OUT} = 1.0 \mu F$



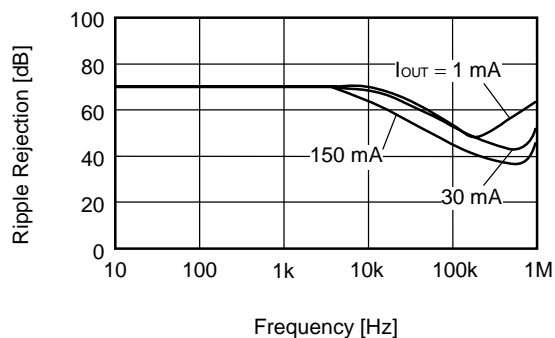
S-1323B30 ($T_a = 25^\circ C$)

$V_{IN} = 4.0 V, C_{OUT} = 1.0 \mu F$



S-1323B50 ($T_a = 25^\circ C$)

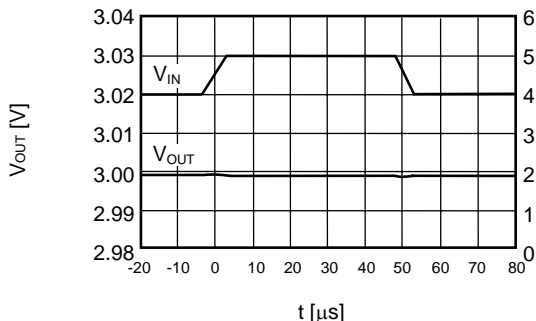
$V_{IN} = 6.0 V, C_{OUT} = 1.0 \mu F$



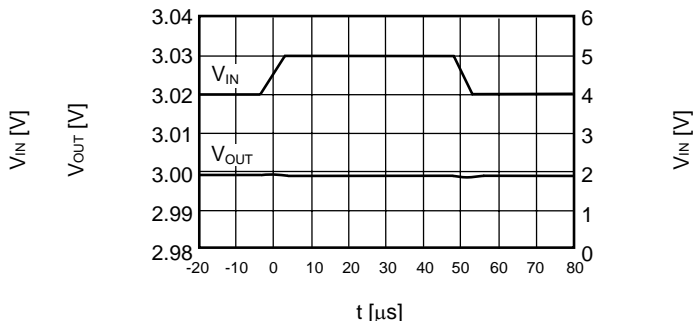
Reference Data

(1) Input transient response characteristics

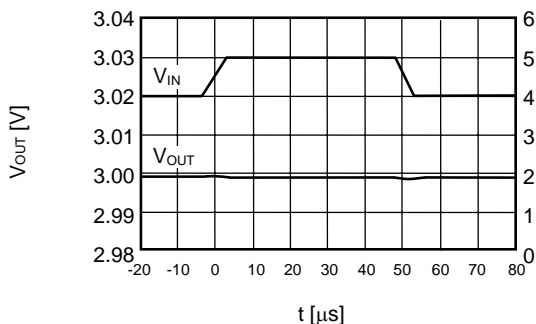
$I_{OUT} = 30\text{ mA}$, $t_r = t_f = 5.0\ \mu\text{s}$, $C_{OUT} = 0.47\ \mu\text{F}$, $C_{IN} = 0\ \mu\text{F}$



$I_{OUT} = 30\text{ mA}$, $t_r = t_f = 5.0\ \mu\text{s}$, $C_{OUT} = 1.0\ \mu\text{F}$, $C_{IN} = 0\ \mu\text{F}$

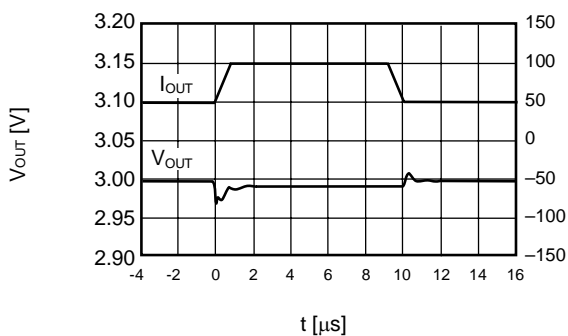


$I_{OUT} = 30\text{ mA}$, $t_r = t_f = 5.0\ \mu\text{s}$, $C_{OUT} = 2.2\ \mu\text{F}$, $C_{IN} = 0\ \mu\text{F}$

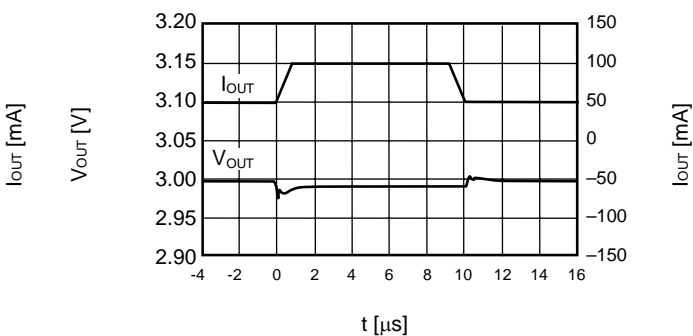


(2) Load transient response characteristics

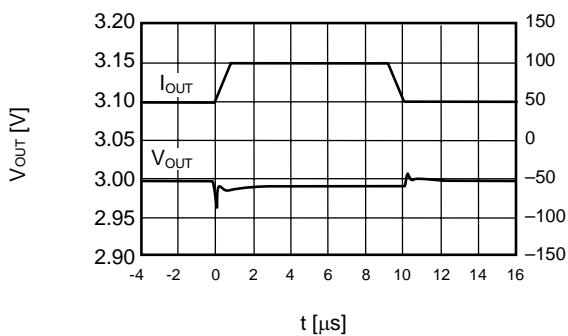
$V_{IN} = 4.0\text{ V}$, $C_{OUT} = 0.47\ \mu\text{F}$, $C_{IN} = 1.0\ \mu\text{F}$, $I_{OUT} = 50 \leftrightarrow 100\text{ mA}$



$V_{IN} = 4.0\text{ V}$, $C_{OUT} = 1.0\ \mu\text{F}$, $C_{IN} = 1.0\ \mu\text{F}$, $I_{OUT} = 50 \leftrightarrow 100\text{ mA}$



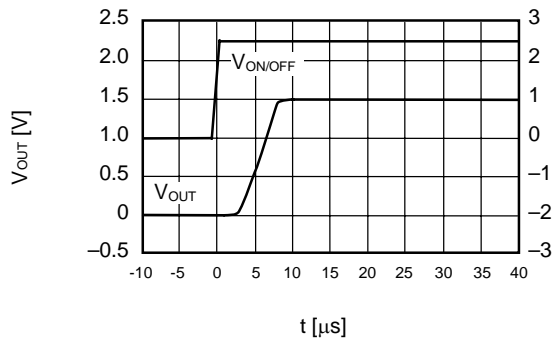
$V_{IN} = 4.0\text{ V}$, $C_{OUT} = 2.2\ \mu\text{F}$, $C_{IN} = 1.0\ \mu\text{F}$, $I_{OUT} = 50 \leftrightarrow 100\text{ mA}$



(3) Shutdown pin transient response characteristics

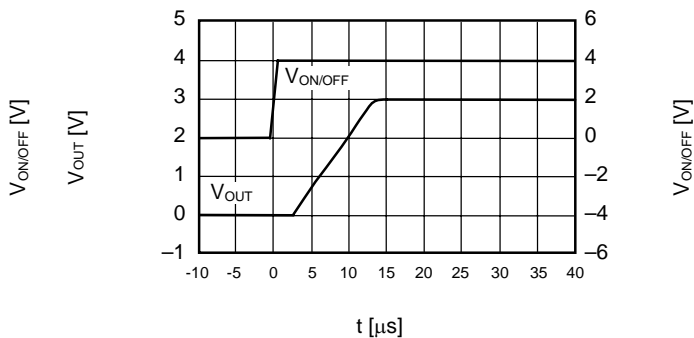
S-1323B15 (Ta = 25°C)

V_{IN} = 2.5 V, tr = tf = 1.0 μs, C_{OUT} = 1.0 μF, C_{IN} = 1.0 μF



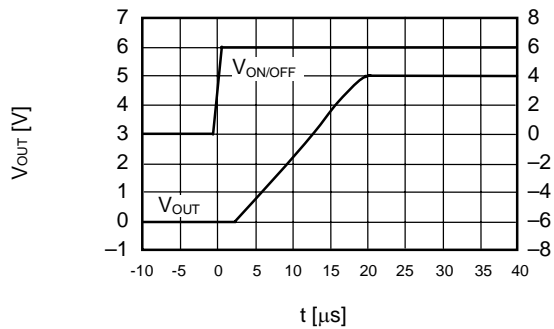
S-1323B30 (Ta = 25°C)

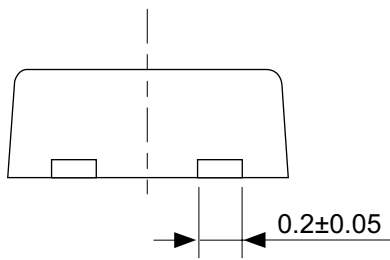
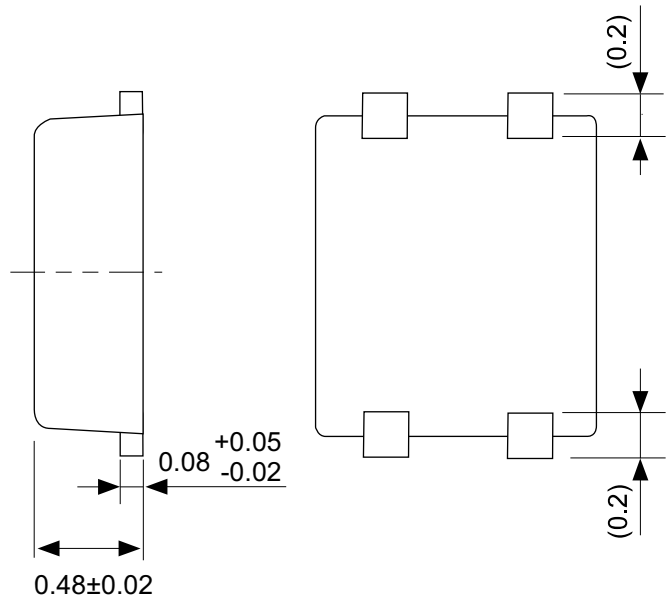
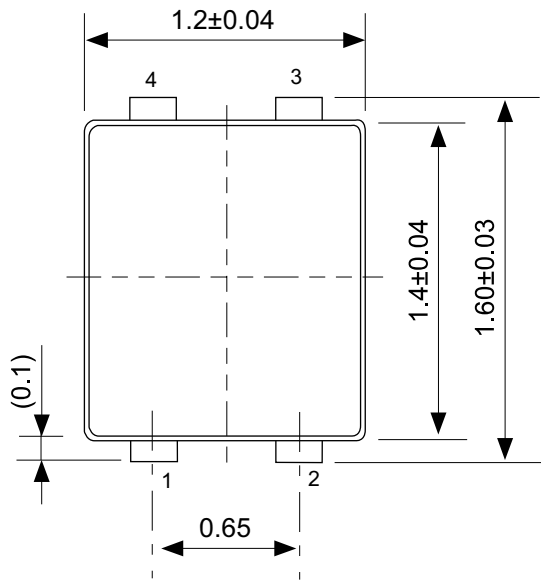
V_{IN} = 4.0 V, tr = tf = 1.0 μs, C_{OUT} = 1.0 μF, C_{IN} = 1.0 μF



S-1323B50 (Ta = 25°C)

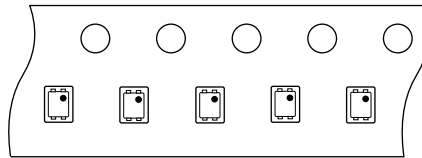
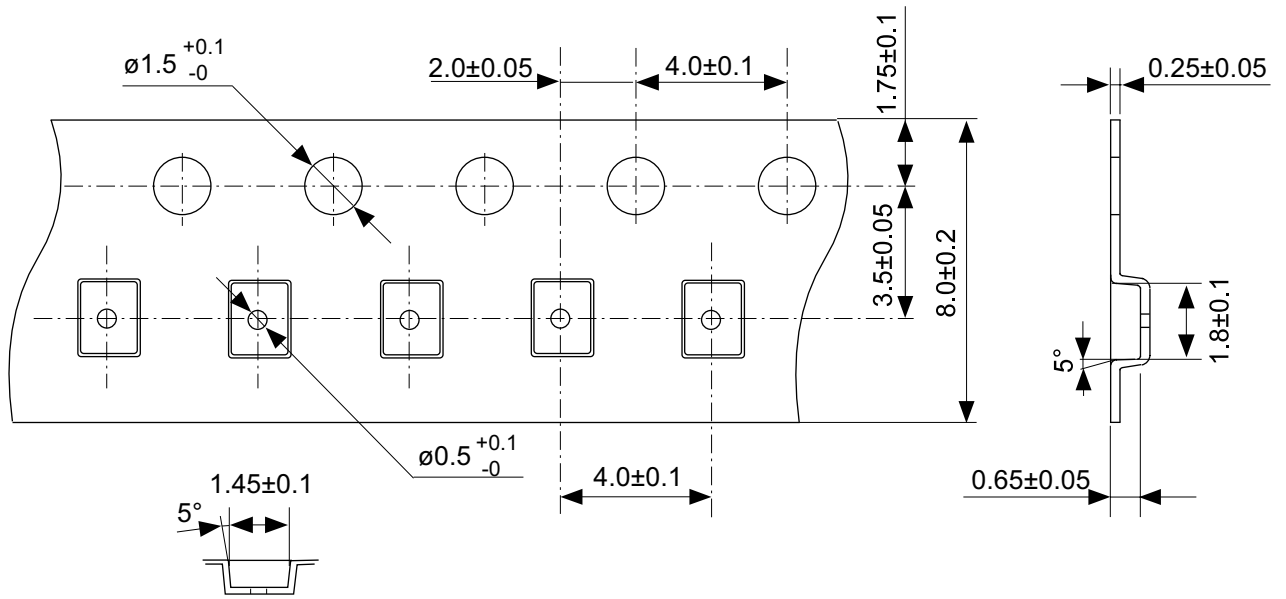
V_{IN} = 6.0 V, tr = tf = 1.0 μs, C_{OUT} = 1.0 μF, C_{IN} = 1.0 μF





No. PF004-A-P-SD-4.0

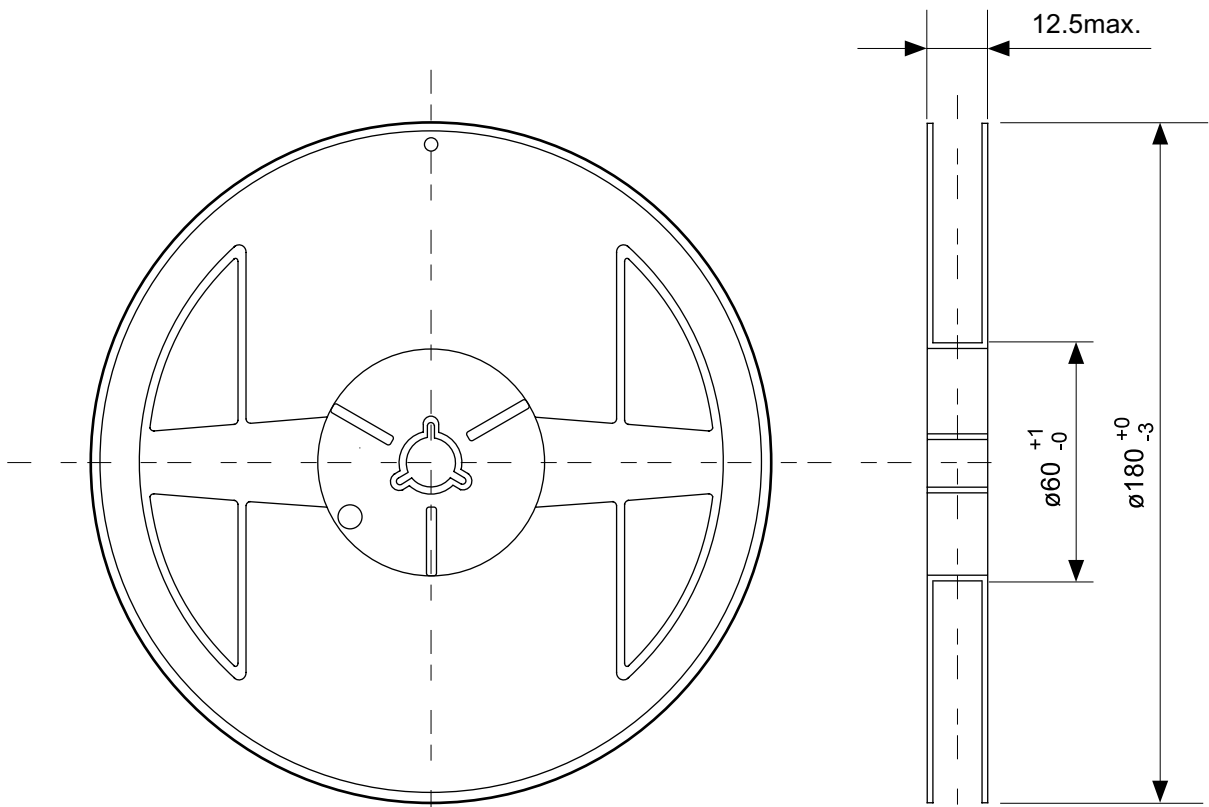
TITLE	SNT-4A-A-PKG Dimensions
No.	PF004-A-P-SD-4.0
SCALE	
UNIT	mm
Seiko Instruments Inc.	



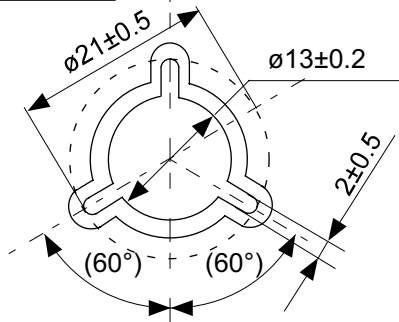
Feed direction →

No. PF004-A-C-SD-1.0

TITLE	SNT-4A-A-Carrier Tape
No.	PF004-A-C-SD-1.0
SCALE	
UNIT	mm
Seiko Instruments Inc.	

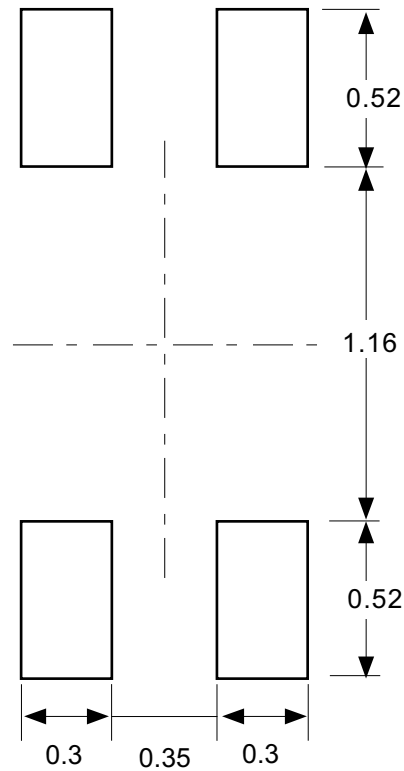


Enlarged drawing in the central part



No. PF004-A-R-SD-1.0

TITLE	SNT-4A-A-Reel		
No.	PF004-A-R-SD-1.0		
SCALE		QTY.	5,000
UNIT	mm		
Seiko Instruments Inc.			

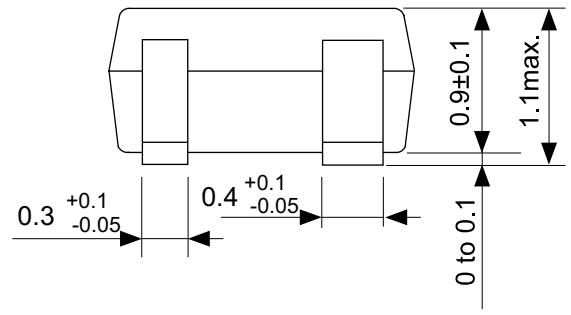
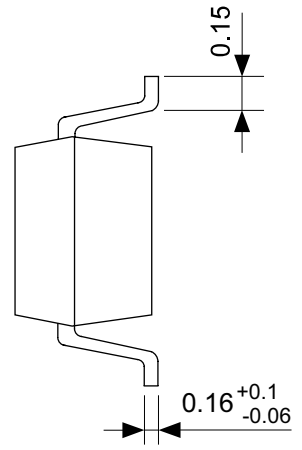
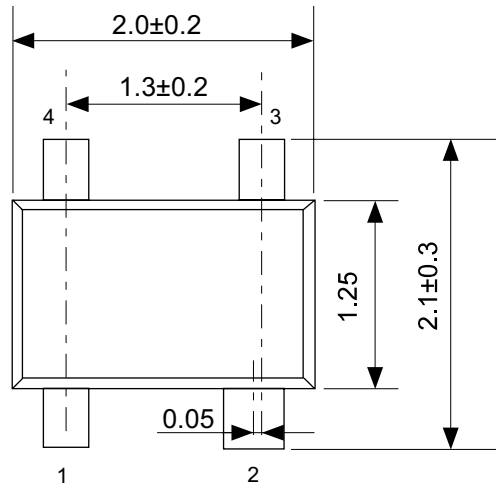


Caution Making the wire pattern under the package is possible. However, note that the package may be upraised due to the thickness made by the silk screen printing and of a solder resist on the pattern because this package does not have the standoff.

注意 パッケージ下への配線パターン形成は可能ですが、本パッケージはスタンドオフが無いので、パターン上のレジスト厚み、シルク印刷の厚みによってパッケージが持ち上がる場合がありますのでご配慮ください。

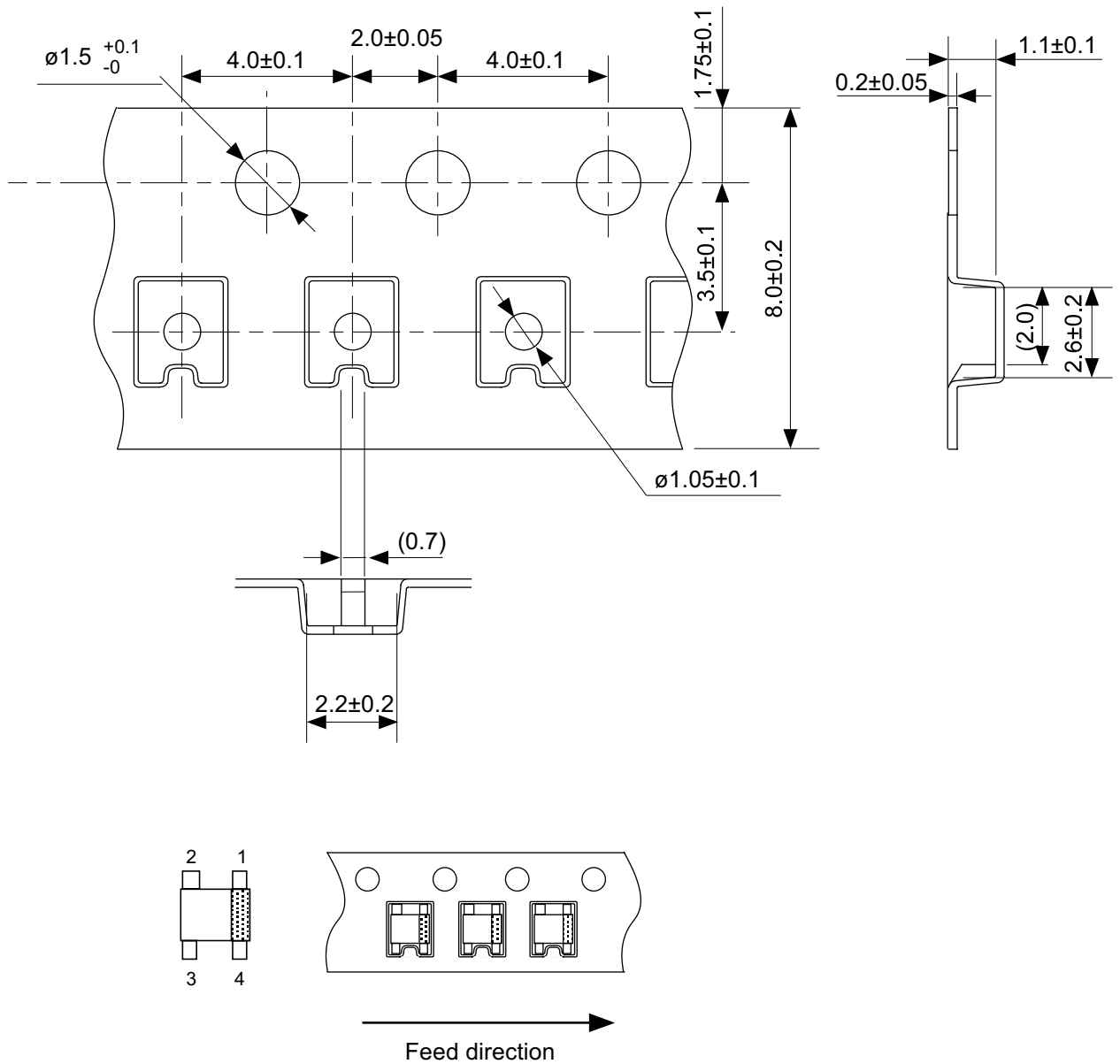
No. PF004-A-L-SD-3.0

TITLE	SNT-4A-A-Land Recommendation
No.	PF004-A-L-SD-3.0
SCALE	
UNIT	mm
Seiko Instruments Inc.	



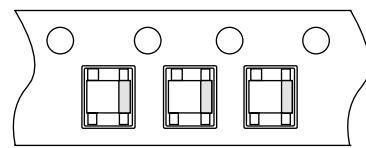
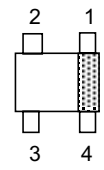
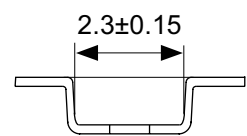
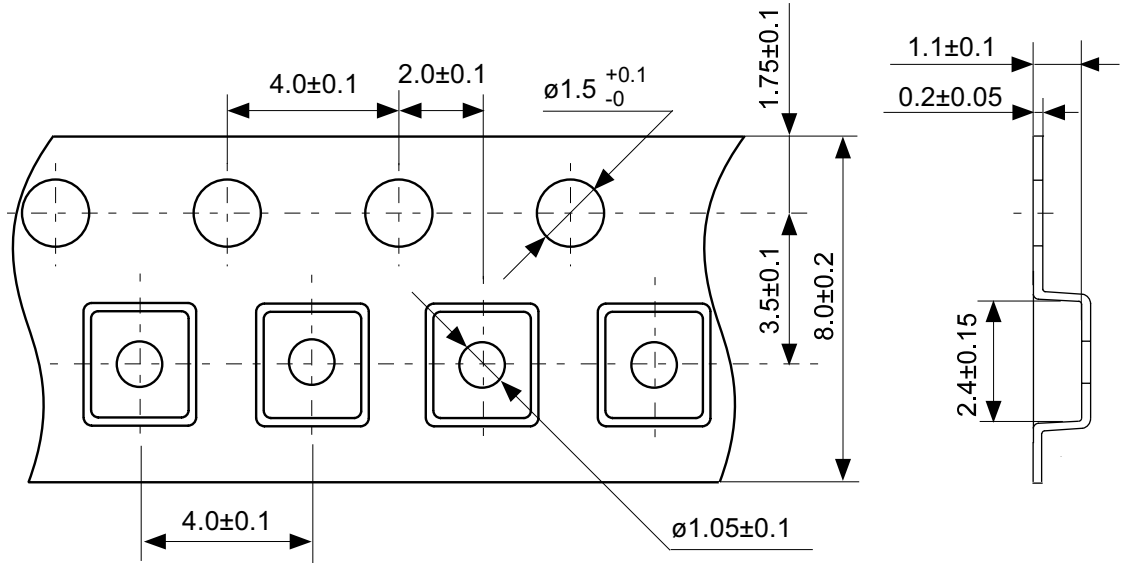
No. NP004-A-P-SD-1.1

TITLE	SC82AB-A-PKG Dimensions
No.	NP004-A-P-SD-1.1
SCALE	
UNIT	mm
Seiko Instruments Inc.	



No. NP004-A-C-SD-3.0

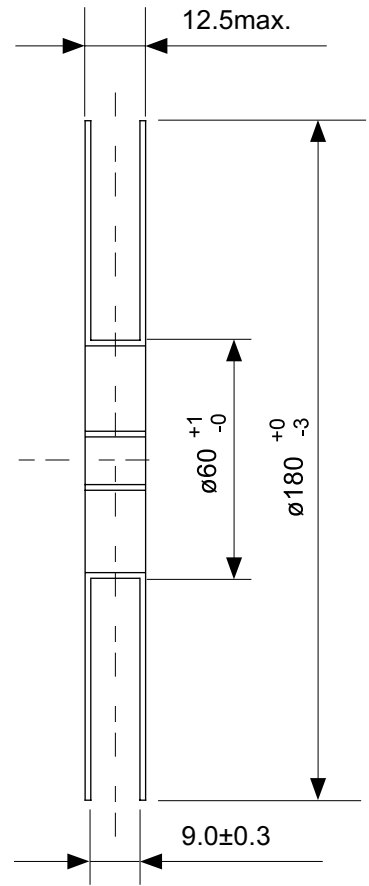
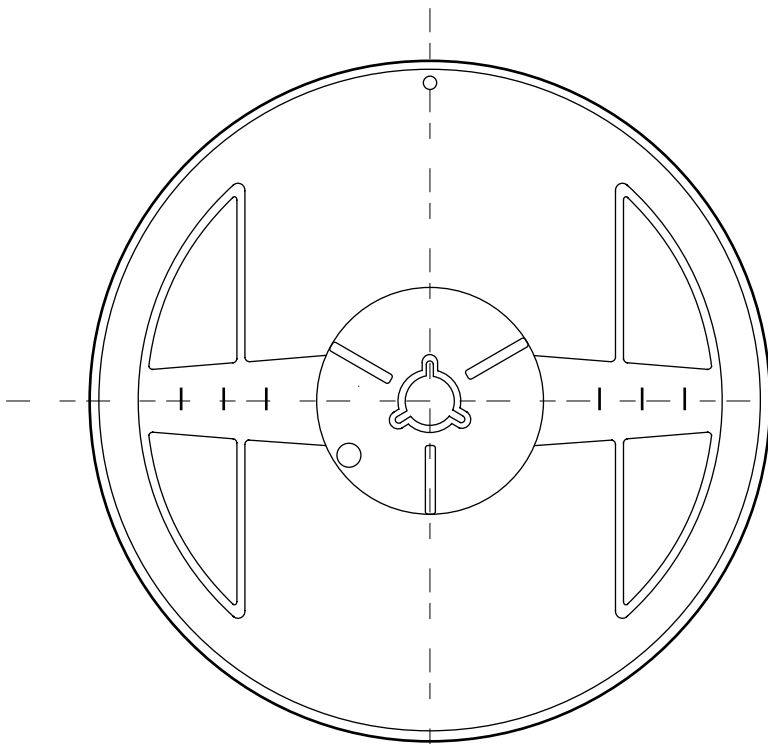
TITLE	SC82AB-A-Carrier Tape
No.	NP004-A-C-SD-3.0
SCALE	
UNIT	mm
Seiko Instruments Inc.	



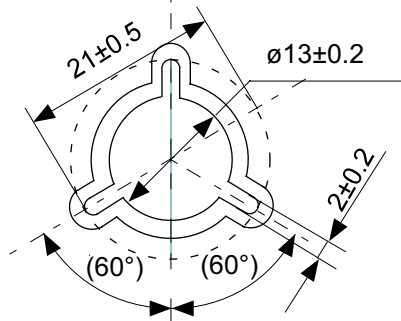
Feed direction

No. NP004-A-C-S1-2.0

TITLE	SC82AB-A-Carrier Tape
No.	NP004-A-C-S1-2.0
SCALE	
UNIT	mm
Seiko Instruments Inc.	



Enlarged drawing in the central part



No. NP004-A-R-SD-1.1

TITLE	SC82AB-A-Reel		
No.	NP004-A-R-SD-1.1		
SCALE		QTY.	3,000
UNIT	mm		
Seiko Instruments Inc.			



Seiko Instruments Inc.
www.sii-ic.com

- The information described herein is subject to change without notice.
- Seiko Instruments Inc. is not responsible for any problems caused by circuits or diagrams described herein whose related industrial properties, patents, or other rights belong to third parties. The application circuit examples explain typical applications of the products, and do not guarantee the success of any specific mass-production design.
- When the products described herein are regulated products subject to the Wassenaar Arrangement or other agreements, they may not be exported without authorization from the appropriate governmental authority.
- Use of the information described herein for other purposes and/or reproduction or copying without the express permission of Seiko Instruments Inc. is strictly prohibited.
- The products described herein cannot be used as part of any device or equipment affecting the human body, such as exercise equipment, medical equipment, security systems, gas equipment, or any apparatus installed in airplanes and other vehicles, without prior written permission of Seiko Instruments Inc.
- Although Seiko Instruments Inc. exerts the greatest possible effort to ensure high quality and reliability, the failure or malfunction of semiconductor products may occur. The user of these products should therefore give thorough consideration to safety design, including redundancy, fire-prevention measures, and malfunction prevention, to prevent any accidents, fires, or community damage that may ensue.