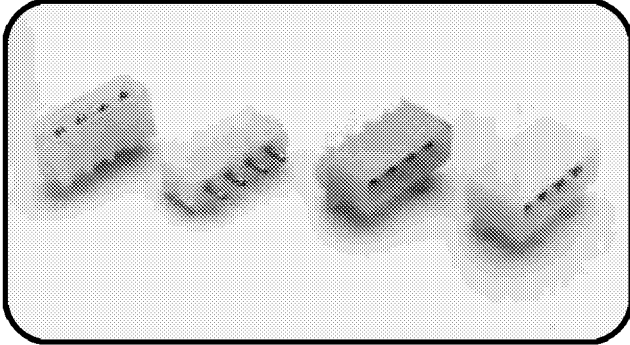


POWER CONNECTORS

HI, M, PI, TM Series Disk Drive Power Interconnect

MAXCONN



Performance Specifications
Materials and Finish

Housing: Nylon 66, 94V-2 rated, natural color

Contact: Brass

Contact Finish: Tin over copper

Electrical Characteristics

Contact Current Rating: 10 amps

Dielectric Withstanding Voltage: 250 Vdc minimum for one minute

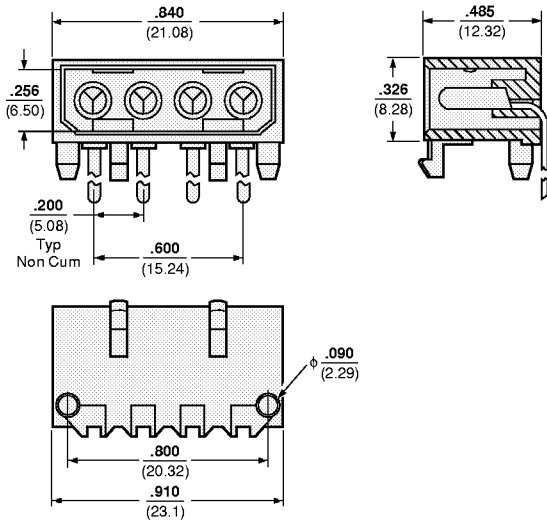
Temperature Rating: -40° C to + 105° C

FEATURES

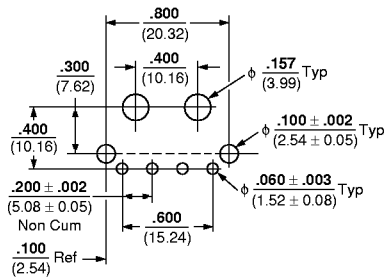
- Four position
- 0.200 centers

DIMENSIONS

Right Angle Header Part Number M8961-4R

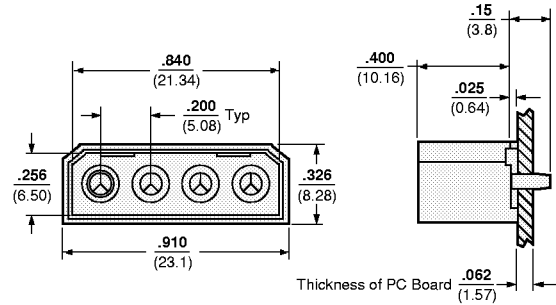


PCB LAYOUT

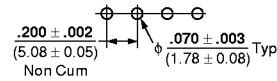


DIMENSIONS

Vertical Header Part Number M8961-4V



PCB LAYOUT

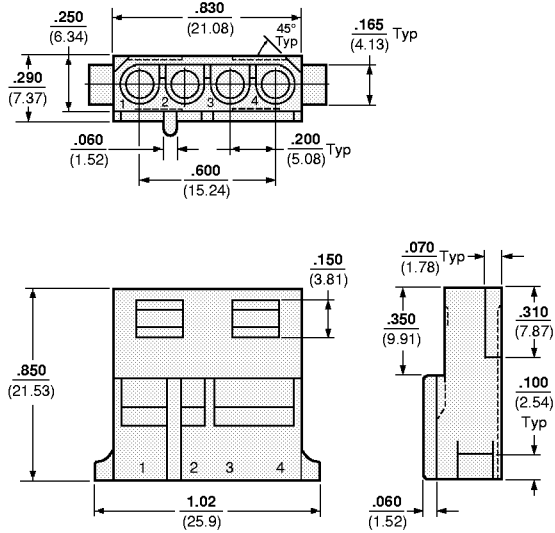


POWER CONNECTORS

HI, M, PI, TM Series
Disk Drive Power Connection System

DIMENSIONS

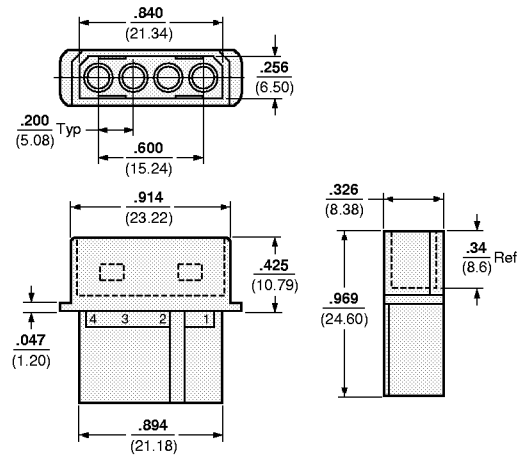
Female Housing Part Number HI-06004



MAXCONN

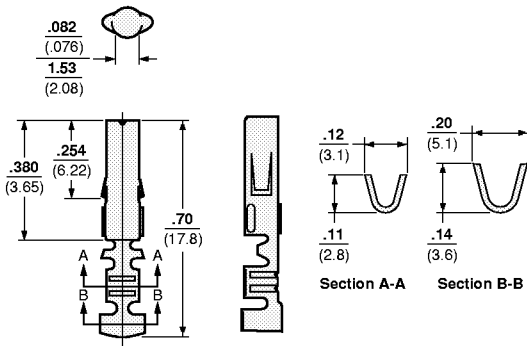
DIMENSIONS

Male Housing Part Number PI-06004



DIMENSIONS

Contact 18-22AWG Part Number TM-060 (chain form)



DIMENSIONS

Contact 18-22AWG Part Number TM-0601 (chain form)

