

MKP-AC-Filter Capacitors, Dry, Self-healing, Without Fuse

PART NO. PhMKPg 250/14/37.5
ART. NO. 44276

RATINGS

Capacitance / tolerance Cn 14uF ± 10%
 Rated power Qn 0.3kvar
 Rated voltage Un 250Vrms

OVERVOLTAGES ACCORDING IEC 60831-1

1.1 x Un U1 275V (12 Std/day)
 1.15 x Un U2 288V (30min/day)
 1.2 x Un U3 300V (5min/day)
 1.3 x Un U4 325V (1min/day)

Rated frequency fn 50Hz
 Rated current In 3.5A
 Peak current Is 1kA

Series resistance RESR < 3mΩ
 Loss factor 50Hz tan < 2 x 10⁻⁴
 Dielectric loss factor tan < 2*10⁻⁴

ROUTINE TESTS

Test voltage terminal/terminal Ut/t 538V, AC, 10s

Measurement of capacitance
 Measurement of loss factor

OPERATING TEMPERATURE

Minimum ambient temperature Tmin - 40°C
 Maximum ambient temperature Tmax + 75°C

STORAGE TEMPERATURE

Minimum temperature Tmin - 40°C
 Maximum temperature Tmax + 80°C

TECHNOLOGY

Dielectric Polypropylene, self-healing,
 Filling material resin, polyurethane
dry

BUSHING

Number of pins 2
 pin distance 37.5 ± 0.4mm
 length of pins 4.0 ± 0.5mm
 diameter of pins 1.2 ± 0.05mm

DESIGN DATA

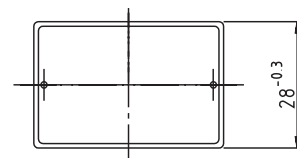
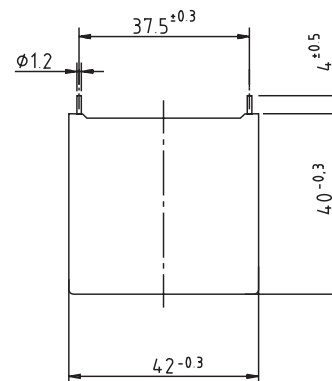
Dimension 42 * 28 * 40mm
 Drawing 20-B-084
 Weight 0.1kg
 Casing Material plastic (ABS)
 Mounting position every position

LIFE EXPECTANCY > 100000h at 70°C

FAILURE RATE 300 FIT

RECOMMENDATION IEC 60831-1

DIMENSIONS





Notice

Specifications of the products displayed herein are subject to change without notice. Vishay Intertechnology, Inc., or anyone on its behalf, assumes no responsibility or liability for any errors or inaccuracies.

Information contained herein is intended to provide a product description only. No license, express or implied, by estoppel or otherwise, to any intellectual property rights is granted by this document. Except as provided in Vishay's terms and conditions of sale for such products, Vishay assumes no liability whatsoever, and disclaims any express or implied warranty, relating to sale and/or use of Vishay products including liability or warranties relating to fitness for a particular purpose, merchantability, or infringement of any patent, copyright, or other intellectual property right.

The products shown herein are not designed for use in medical, life-saving, or life-sustaining applications. Customers using or selling these products for use in such applications do so at their own risk and agree to fully indemnify Vishay for any damages resulting from such improper use or sale.