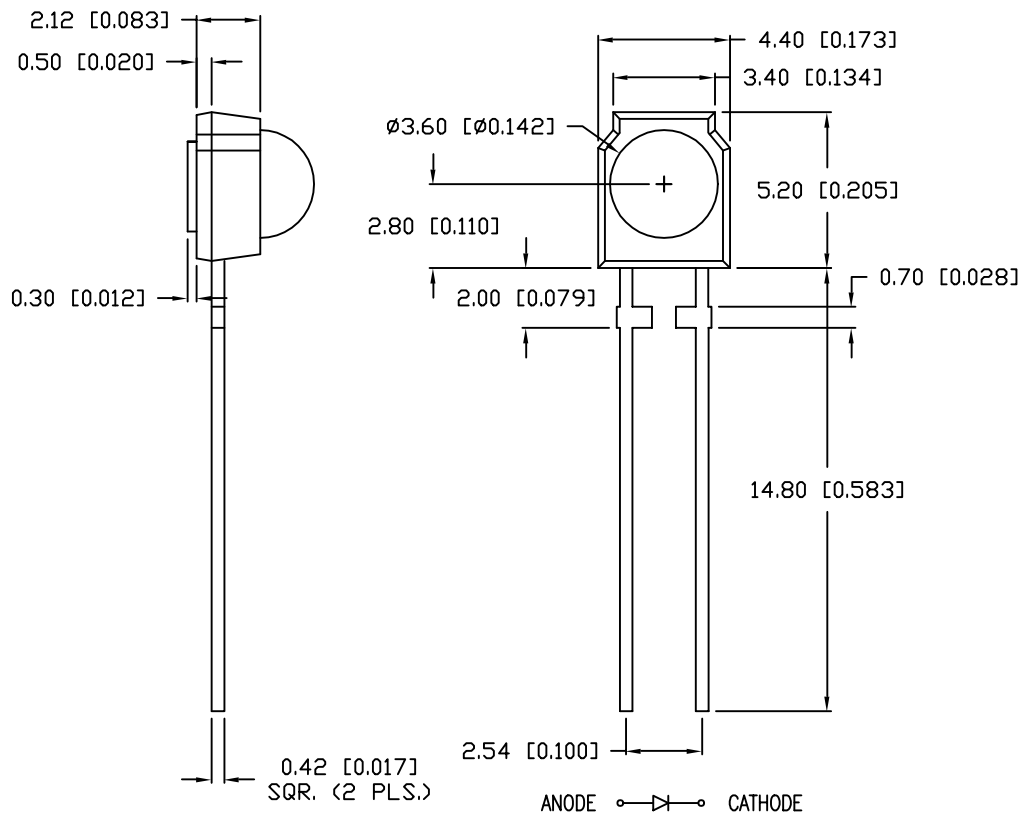
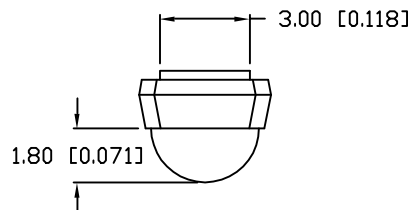


UNCONTROLLED DOCUMENT

PART NUMBER
OED-HPI-6FFR4

REV.
B

REV.	E.C.N. NUMBER AND REVISION COMMENTS	DATE
A	E.C.N. #10BRDR. & REDRAWN.	12-31-97
B	E.C.N. #10606	3-31-00



ELECTRO-OPTICAL CHARACTERISTICS $T_A=25^\circ\text{C}$

PARAMETER	SYMBOL	TEST CONDITION	TYP	UNIT
OPEN CIRCUIT VOLTAGE	V_{OC}	$E_e=0.5\text{mw}/\text{cm}^2$	0.38	V
SHORT CIRCUIT CURRENT	I_{SC}	$E_e=0.5\text{mw}/\text{cm}^2$	25	μA
DARK CURRENT	I_D	$V_r=10\text{V}$ $E_e=0.5\text{mw}/\text{cm}^2$	1	nA
TERMINAL CAPACITANCE	C_T	$V_r=0\text{V}$, $F=1\text{MHz}$	10	pF
RESPONSE TIME	T_R/T_F	$V_r=10\text{V}$, $R_l=1000\Omega$	50/50	nS
SPECTRAL SENSITIVITY	λ		800~1050	nm
PEAK WAVELENGTH	λ_P		1000	nm
HALF ANGLE	$\Delta\theta$		± 35	DEG
LENS COLOR	BLACK RESIN			

LIMITS OF SAFE OPERATION AT 25°C

PARAMETER	MAX	UNITS
REVERSE VOLTAGE	35	V
POWER DISSIPATION	150	mW
OPERATING TEMP.	-30 TO +70	$^\circ\text{C}$
STORAGE TEMP.	-40 TO +80	$^\circ\text{C}$
SOLDERING TEMP.	+260	$^\circ\text{C}$
2.0mm FROM BODY		3 SEC. MAX

*UNLESS OTHERWISE SPECIFIED TOLERANCES PER DECIMAL PRECISION ARE: X= ± 1 (± 0.039), X.X= ± 0.5 (± 0.020), X.XX= ± 0.25 (± 0.010), X.XXX= ± 0.127 (± 0.005). LEAD SIZE= ± 0.05 (± 0.002), LEAD LENGTH= ± 0.75 (± 0.030). MIN.=⁺DECIMAL PRECISION MAX.=⁺DECIMAL PRECISION -0.00

UNCONTROLLED DOCUMENT

REV. B PART NUMBER OED-HPI-6FFR4

CONFIDENTIAL INFORMATION
THE INFORMATION CONTAINED IN THIS DOCUMENT IS THE PROPERTY OF LUMEX INC. EXCEPT AS SPECIFICALLY AUTHORIZED IN WRITING BY LUMEX INC., THE HOLDER OF THIS DOCUMENT SHALL KEEP ALL INFORMATION CONTAINED HEREIN CONFIDENTIAL AND SHALL PROTECT SAME IN WHOLE OR IN PART FROM DISCLOSURE AND DISSEMINATION TO ALL THIRD PARTIES.

LUMEX INCORPORATED

290 E. HELLEN ROAD
PALATINE, ILLINOIS 60067
PHONE: (847) 359-2790
WEB: <http://www.lumex.com>

T-3.6mm RIGHT ANGLE, DOME LENS,
PIN PHOTODIODE.

RELIABILITY NOTE
OUR MANY YEARS OF EXPERIENCE DATA ACCUMULATION INDICATE THAT SOLDER HEAT IS A MAJOR CAUSE OF EARLY AND FUTURE FAILURE. PLEASE PAY ATTENTION TO YOUR SOLDERING PROCESS.

DRAWN BY: SK CHECKED BY: APPROVED BY: DATE: 5-23-95
PAGE: 1 OF 1
SCALE: N/A