

# Shielded Pin Jack, AP-2 Series

## Outline

As digitization of equipment progresses, requirements for better anti-noise performance are demanded. Employment of a very noise-resistant structure in this series of pin jacks is the answer to such requirements. In addition, its narrow spacing design helps in downsizing of equipment.

## Features

1. The integrated grounding provision and shield plate into one signal piece realizes anti-noise performance of a higher level than previous shielded pin jack, making equipment very resistant to stray noise.
2. With these smallest pin jack spacing and dimensions in the industry, contribution to equipment downsizing is incomparable.
3. A wide variation in terms of the numbers of pins is available depending on combinations. Bushings are available in many colors.
4. The pin jack spacing is consistently 14mm X14mm with combinations of 2P to 12P products. This provides more flexibility in back panel layout design.
5. The product repertoire includes 1P to 9P and composite versions.

## Specifications


1. Electrical Performance
  - Contact Resistance : 30mΩ max.
  - Withstanding Voltage : 500V AC for one minute
2. Mechanical Performance
  - Insertion Force : 30N max. at a 3.2 dia. gauge
  - Extraction Force : 1 to 30N at a 3.2 dia. gauge

## Applications

TVs, DVD equipment, digital set-top boxes, etc.

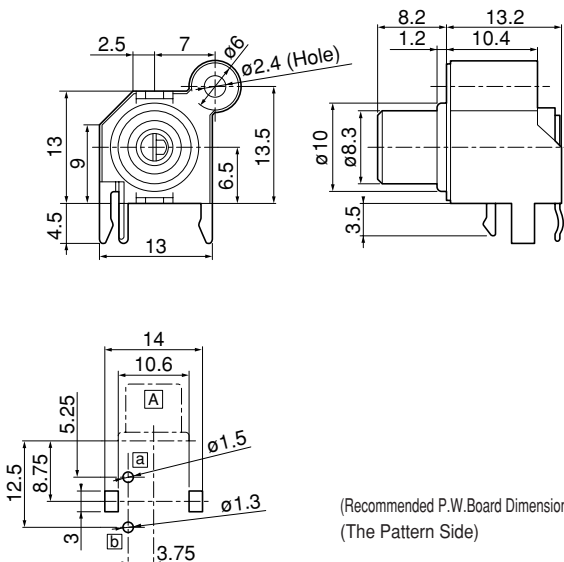
**LPR6520-F0□□F**

**H=6.5mm**



**<Malaysia>**

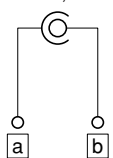
**Right Angle (1P)**



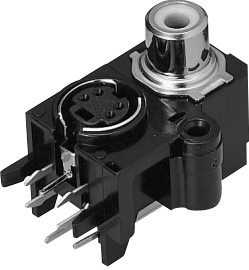
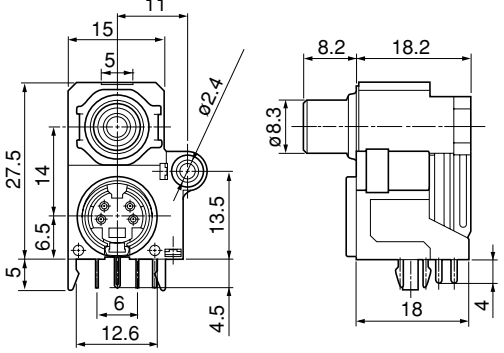
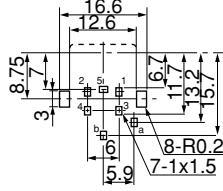
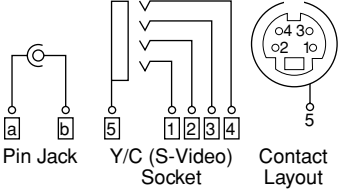
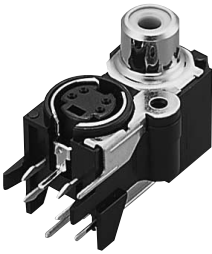
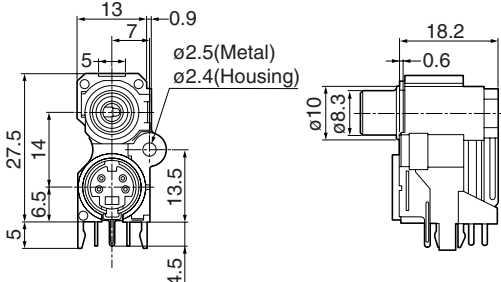
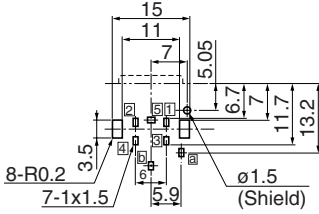
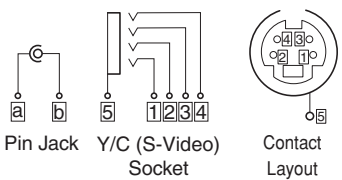

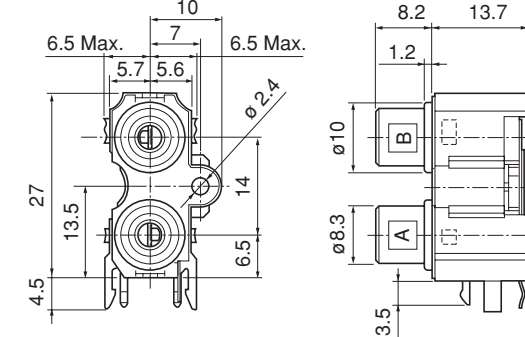
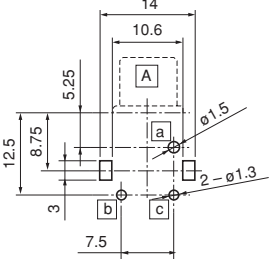
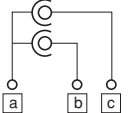
(Recommended P.W. Board Dimension)  
(The Pattern Side)

□□	Color	Earth Metal Finish
10	Black	Nickel
15	Black	Au
20	Red	Nickel
25	Red	Au
30	White	Nickel
35	White	Au
40	Yellow	Nickel
45	Yellow	Au
60	Green	Nickel
65	Green	Au

Circuits  
(Without Switch)



# Shielded Pin Jack, AP-2 Series

<p><b>LAP5100-0701F</b></p> <p><b>H=6.5mm</b></p>  <p><b>&lt;China&gt;</b></p>	<p>(With S Terminal)</p>  <p>(Recommended P.W.Board Dimension) (The Pattern Side)</p>  <p>Circuits (Without Switch)</p>  <p>Pin Jack    Y/C (S-Video) Socket    Contact Layout</p>																											
<p><b>Right Angle (1P)</b></p>																												
<p><b>LAP5100-3501F</b></p> <p><b>H=6.5mm</b></p>  <p><b>&lt;China&gt;</b></p>	<p>(With S Terminal)</p>  <p>(Recommended P.W.Board Dimension) (The Pattern Side)</p>  <p>Circuits (Without Switch)</p>  <p>Pin Jack    Y/C (S-Video) Socket    Contact Layout</p>																											
<p><b>Right Angle (1P)</b></p>																												
<p><b>LPR6520-E5□□F</b></p> <p><b>H=6.5mm</b></p>  <p><b>&lt;Malaysia&gt;</b></p>	 <p>(Recommended P.W.Board Dimension) (The Pattern Side)</p>  <p>Circuits (Without Switch)</p> 																											
<p><b>Right Angle (2P)</b></p>	<table border="1" data-bbox="1244 1500 1500 1736"> <thead> <tr> <th rowspan="2">□□</th> <th colspan="2">Color</th> <th>Earth Metal</th> </tr> <tr> <th>A</th> <th>B</th> <th>Finish</th> </tr> </thead> <tbody> <tr> <td>10</td> <td>Red</td> <td>White</td> <td>Nickel</td> </tr> <tr> <td>15</td> <td>Red</td> <td>White</td> <td>Au</td> </tr> <tr> <td>25</td> <td>Red</td> <td>Green</td> <td>Au</td> </tr> <tr> <td>30</td> <td>Yellow</td> <td>Yellow</td> <td>Nickel</td> </tr> <tr> <td>35</td> <td>Yellow</td> <td>Yellow</td> <td>Au</td> </tr> </tbody> </table>	□□	Color		Earth Metal	A	B	Finish	10	Red	White	Nickel	15	Red	White	Au	25	Red	Green	Au	30	Yellow	Yellow	Nickel	35	Yellow	Yellow	Au
□□	Color		Earth Metal																									
	A	B	Finish																									
10	Red	White	Nickel																									
15	Red	White	Au																									
25	Red	Green	Au																									
30	Yellow	Yellow	Nickel																									
35	Yellow	Yellow	Au																									

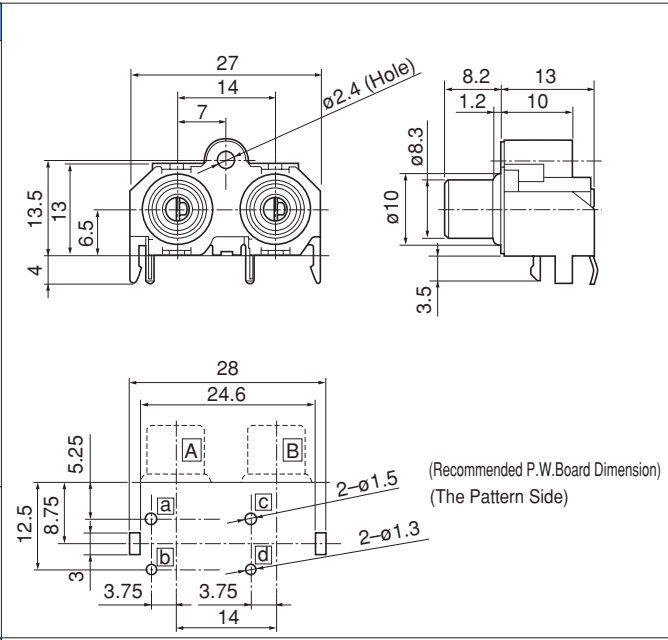
# Shielded Pin Jack, AP-2 Series

**LPR6520-F6** □ □ F

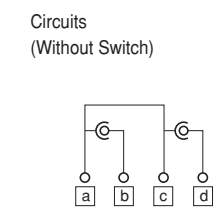
**H=6.5mm**

**<Malaysia>**

**Right Angle (2P)**



□ □	Color		Housing	Earth Metal
	A	B	Color	Finish
10	Yellow	Yellow	Black	Nickel
15	Yellow	Yellow	Black	Au
20	Red	White	Black	Nickel
25	Red	White	Black	Au
30	White	Red	Black	Nickel
35	White	Red	Black	Au

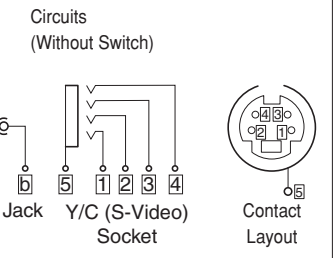
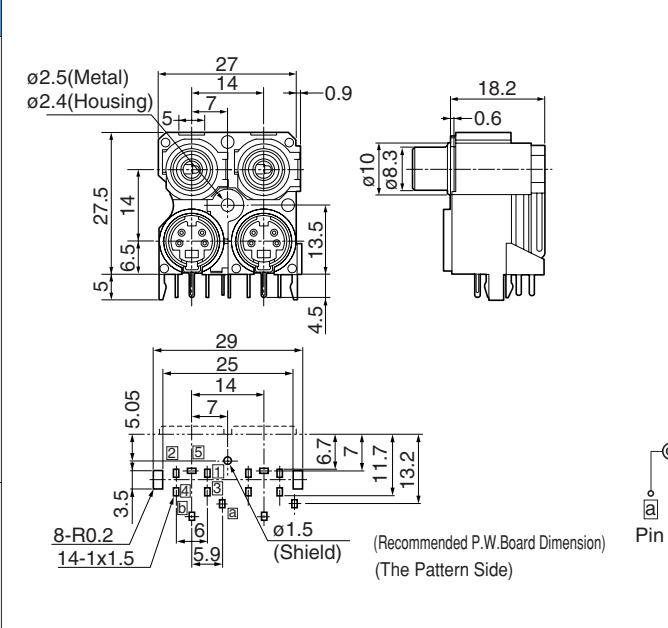


**LAP5100-1801F**

**H=6.5mm**

**<China>**

**Right Angle (2P)**

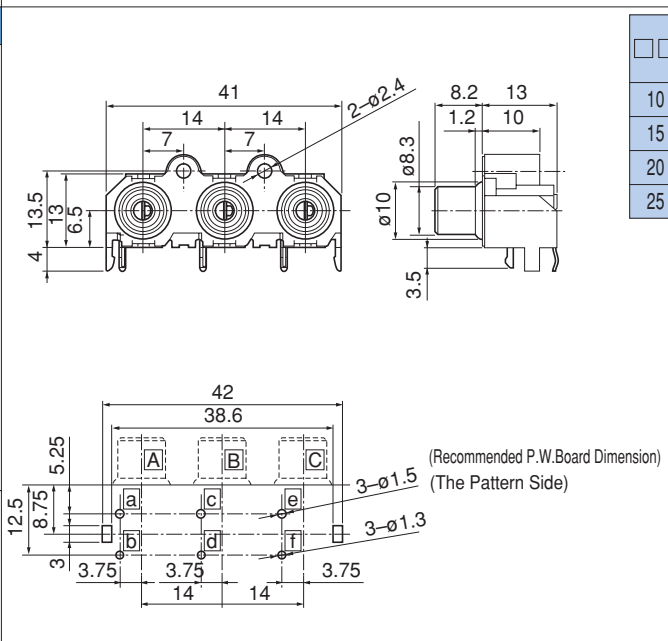


**LPR6520-F7** □ □ F

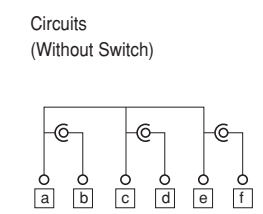
**H=6.5mm**

**<Malaysia>**

**Right Angle (3P)**



□ □	Color			Housing	Earth Metal
	A	B	C	Color	Finish
10	Red	Blue	Green	Black	Nickel
15	Red	Blue	Green	Black	Au
20	Green	Blue	Red	Black	Nickel
25	Green	Blue	Red	Black	Au



# Shielded Pin Jack, AP-2 Series

**LPR6520-G0**   **F**

**H=6.5mm**

**<Malaysia>**

**Right Angle (3P)**

<input type="checkbox"/>	Color			Earth Metal
	A	B	C	Finish
00	Green	Blue	Red	Nickel
10	Red	Blue	Green	Nickel

Circuits (Without Switch)

(Recommended P.W.Board Dimension)  
(The Pattern Side)

**LAP5100-2801F**

**H=6.5mm**

**<China>**

**Right Angle (3P)**

(With S Terminal)

Color Layout

Circuits (Without Switch)

(Recommended P.W.Board Dimension)  
(The Pattern Side)

Pin Jack    Y/C (S-Video) Socket    Contact Layout

**LAP5100-1601F**

**H=6.5mm**

**<China>**

**Right Angle (3P)**

(With S Terminal)

Circuits (Without Switch)

(Recommended P.W.Board Dimension)  
(The Pattern Side)

Pin Jack    Y/C (S-Video) Socket    Contact Layout

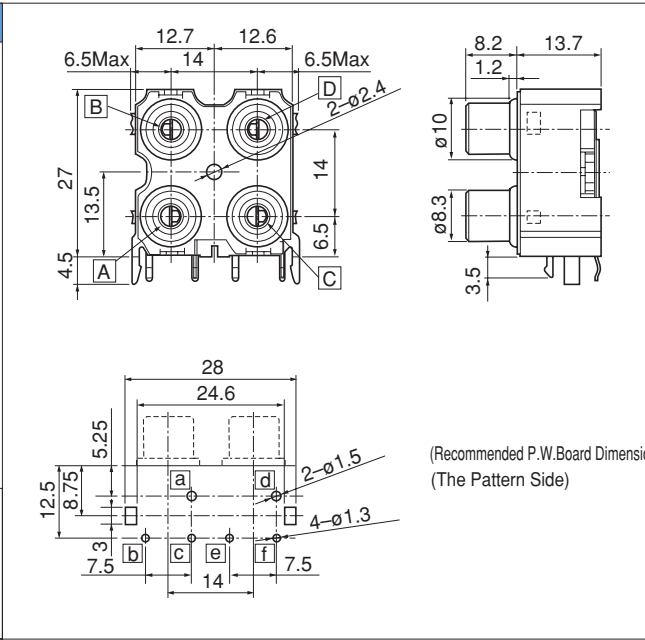
# Shielded Pin Jack, AP-2 Series

**LPR6520-E6**     **F**

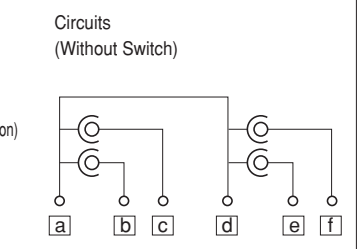
**H=6.5mm**

**<Malaysia>**

**Right Angle (4P)**



<input type="checkbox"/>	Color				Earth Metal
	A	B	C	D	Finish
10	Red	White	Red	White	Nickel
15	Red	White	Red	White	Au
25	Blue	Blue	White	Yellow	Au
30	Red	Red	White	White	Nickel
35	Red	Red	White	White	Au

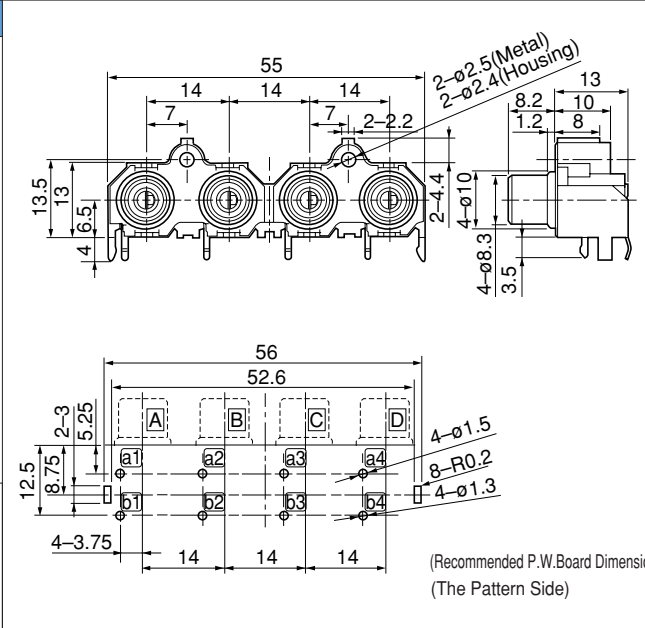


**LPR6520-G9**     **F**

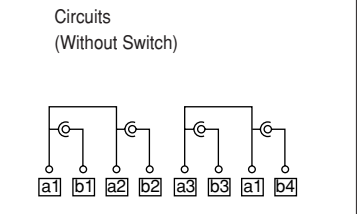
**H=6.5mm**

**<Malaysia>**

**Right Angle (4P)**



<input type="checkbox"/>	Color				Earth Metal
	A	B	C	D	Finish
10	Yellow	Yellow	Yellow	Yellow	Nickel

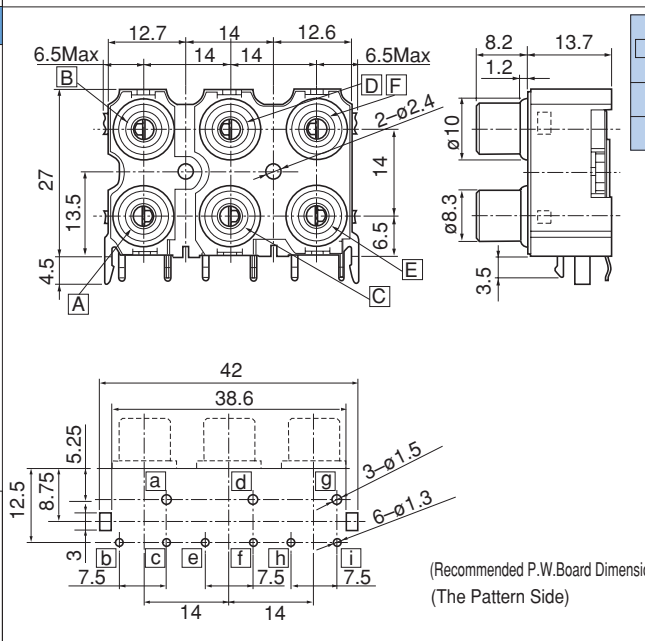


**LPR6520-E7**     **F**

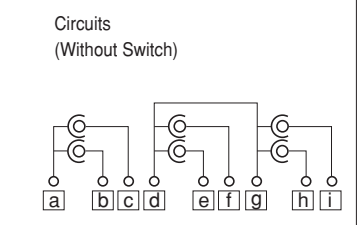
**H=6.5mm**

**<China><Malaysia>**

**Right Angle (6P)**



<input type="checkbox"/>	Color						Earth Metal
	A	B	C	D	E	F	Finish
10	Red	White	Red	White	Black	Black	Nickel
15	Red	White	Red	White	Black	Black	Au



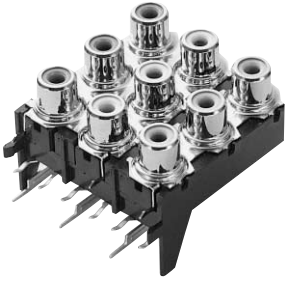
# Shielded Pin Jack, AP-2 Series

LPR6520-M6 □ □ F				Color						Earth Metal
H=6.5mm				A	B	C	D	E	F	Finish
<p>&lt;China&gt;</p>	<p>2-<math>\phi</math>2.5 (Metal) 2-<math>\phi</math>2.4 (Housing)</p> <p>(Recommended P.W.Board Dimension) (The Pattern Side)</p>			10 Yellow Yellow White White Red Red Nickel						
		<p>Right Angle (6P)</p>			<p>Circuits (Without Switch)</p>					
LAP5100-1201F				Color Layout						
H=6.5mm										
<p>&lt;Malaysia&gt;</p>	<p>2-<math>\phi</math>2.5 (Shield) 2-<math>\phi</math>2.4 (Housing)</p> <p>(Recommended P.W.Board Dimension) (The Pattern Side)</p>			<p>(With S Terminal)</p>						
		<p>Right Angle (6P)</p>			<p>Circuits (Without Switch)</p>					
LAP5100-1001F				Color Layout						
H=6.5mm										
<p>&lt;China&gt;</p>	<p>3-<math>\phi</math>2.4 (Housing) 2-<math>\phi</math>2.5 (Shield)</p> <p>(Recommended P.W.Board Dimension) (The Pattern Side)</p>			<p>(With S Terminal)</p>						
		<p>Right Angle (7P)</p>			<p>Circuits (Without Switch)</p>					

# Shielded Pin Jack, AP-2 Series

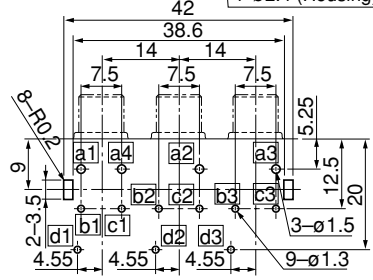
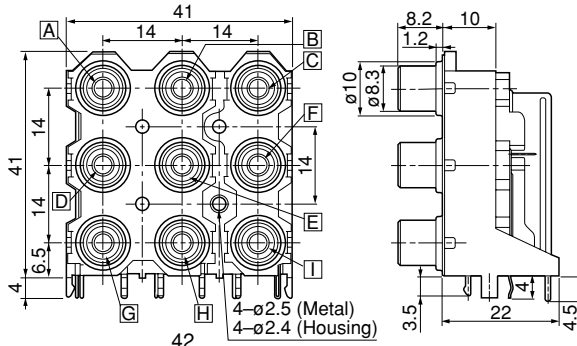
LPR6520-G2   F

H=6.5mm

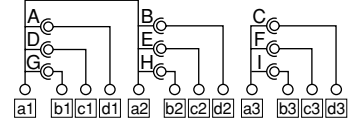


<China>

Right Angle (9P)



Circuits  
(Without Switch)



	Color								Earth Metal	
<input type="checkbox"/> <input type="checkbox"/>	A	B	C	D	E	F	G	H	I	Finish
10	Red	White	Yellow	Red	White	Yellow	Red	White	Yellow	Nickel

(Recommended P.W.Board Dimension)  
(The Pattern Side)