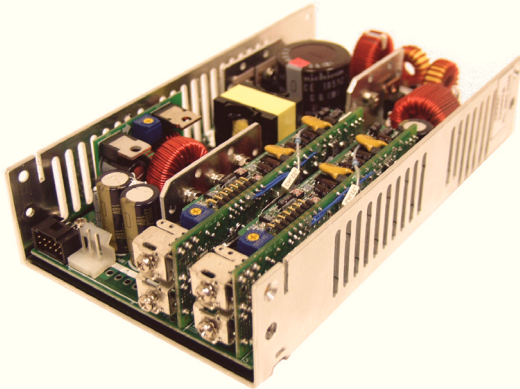


145 Watts LPQ142 Series

Total Power: 110-145 Watts
Input Voltage: 85-264 VAC
 120-300 VDC
of Outputs: Quad



Special Features

- Active power factor correction
- IEC EN61000-3-2 compliance
- Adjustable outputs on 1, 3 & 4
- Remote sense on main output
- Single wire current sharing
- Power fail and remote inhibit
- Built-in EMI filter
- Low output ripple
- Overvoltage protection
- Overload protection
- Thermal overload protection
- Adjustable floating 4th output
- Optional cover (-C suffix)
- Optional with fan cover -CF

Environmental

Operating temperature: 0° to 50°C ambient
 derate each output at 2.5% per degree from
 50° to 70°C

Electromagnetic susceptibility: designed to
 meet EN61000-4, -2, -3, -4, -5, -6, -8, -11,
 Level 3

Humidity: Operating; non-condensing
 5% to 95%

Vibration: Three orthogonal axes, sweep at
 1 oct/min, 5 min. dwell at four major
 resonances 0.75 G peak 5 Hz to 500 Hz,
 operational

Storage temperature: -40° to 85°C

Temperature coefficient: ± .04% per °C

MTBF demonstrated: >550,000 hours at full
 load and 25°C ambient conditions

Electrical Specs

Input

Input range	85-264 VAC, 120-300 VDC
Frequency	47-63 Hz
Inrush current	38 A max, cold start @ 25°C
Efficiency	75% typical at full load
EMI filter	Meets FCC Class B conducted CISPR 22 Class B conducted EN55022 Class B conducted VDE 0878 PT3 Class B conducted
Power factor	0.99 typical
Safety ground leakage current	1.0 mA @ 50/60 Hz, 264 VAC input

Output

Maximum power	80 W convection (60 W with cover-C) 145 W with 30 CFM forced air (100 W with cover-C)
Adjustment range	3.3 - 5.5V on main; -12 - 15V on 3rd output 3.3 - 25 V on 4th output
Hold-up time	20 ms @145 W load at nominal line
Overload protection	Short circuit protection on all outputs. Case overload protected @ 110-145% above peak rating
Overvoltage protection	Tracks outputs 1, 3 & 4; 10 to 35%

Logic Control

AC Power failure	TTL logic signal goes high 100 - 500 msec after V1 output; It goes low at least 4 msec before loss of regulation
Remote inhibit	Requires contact closure to inhibit outputs
Remote sense	Compensates for 0.5 V lead drop min. Will operate without remote sense connected. Reverse connection protected.
DC Ok	TTL logic signal goes high after main output is in regulation. It goes low when there is a loss of regulation

Safety

VDE	60950
UL	60950
CB	Certificate and report
CSA	60950
CE	Mark (LVD)
NEMKO	EN 60950/EMKO-TUE

AMERICAS

5810 Van Allen Way
Carlsbad, CA 92008
Telephone: 760-930-4600
Facsimile: 760-930-0698

EUROPE

Astec House, Waterfront Business Park
Merry Hill, Dudley
West Midlands, DY5 1LX, UK
Telephone: 44 (1384) 842-211
Facsimile: 44 (1384) 843-355

ASIA

Units 2111-2116, Level 21
Tower 1, Metroplaza
223, Hing Fong Road
Fwai Fong, New Territories
Hong Kong
Telephone: 852-2437-9662
Facsimile: 852-2402-4426



Ordering Information

Model Number	Output Voltage	Minimum Load	Maximum Load with Convection Cooling	Maximum Load with 30 CFM Forced Air	Peak Load	Regulation ²	Ripple P/P(PARD) ³
LPQ142	5 V (3.3 - 5.5 V)	0 A	12 A	25 A	27 A	±2%	50 mV
	12 V	0 A	5 A	6 A	9 A	±3%	120 mV
	-12 V (-12 -15 V)	0 A	1 A	1.5 A	2 A	±3%	<1%
	±3.3-25 V	0.5 A	1.5 A	4.5 A	5 A	±3%	<50mV or 1%

1. Peak current lasting <30 seconds with a maximum 10% duty cycle.
2. At 25°C including initial tolerance, line voltage, load currents and output voltages adjusted to factory settings.
3. Peak-to-peak with 20 MHz bandwidth and 10 μF in parallel with a 0.1 μF capacitor at rated line voltage and load ranges.
4. 4th output adjustable 3.3-25 V factory set at 5 V.
5. * Minimum loads are required when output set below 5 Volts
6. Remote inhibit resets OVP latch

Note: -C suffix added to the model number indicates cover option.
-CF suffix added to the model number indicates fan cover option.

Pin Assignments

Connector LPQ142

SK1	PIN 1	GROUND
	PIN 3	NEUTRAL
	PIN 5	LINE
SK2	PIN 1	+12 V
	PIN 2	COMMON
	PIN 3	-12 V
	PIN 4	COMMON
	PIN 5	+5 V to +25 V (Float)
	PIN 6	COMMON (Float)
SK4	TB-1	COMMON
	TB-2	+5 V
SK6	PIN 1	N/C
	PIN 2	DC OK
	PIN 3	N/C
	PIN 4	V1 SWP
	PIN 5	Common
	PIN 6	+V1 sense
	PIN 7	Sense common
	PIN 8	+ inhibit
	PIN 9	- inhibit
	PIN 10	Power fail

Mating Connectors

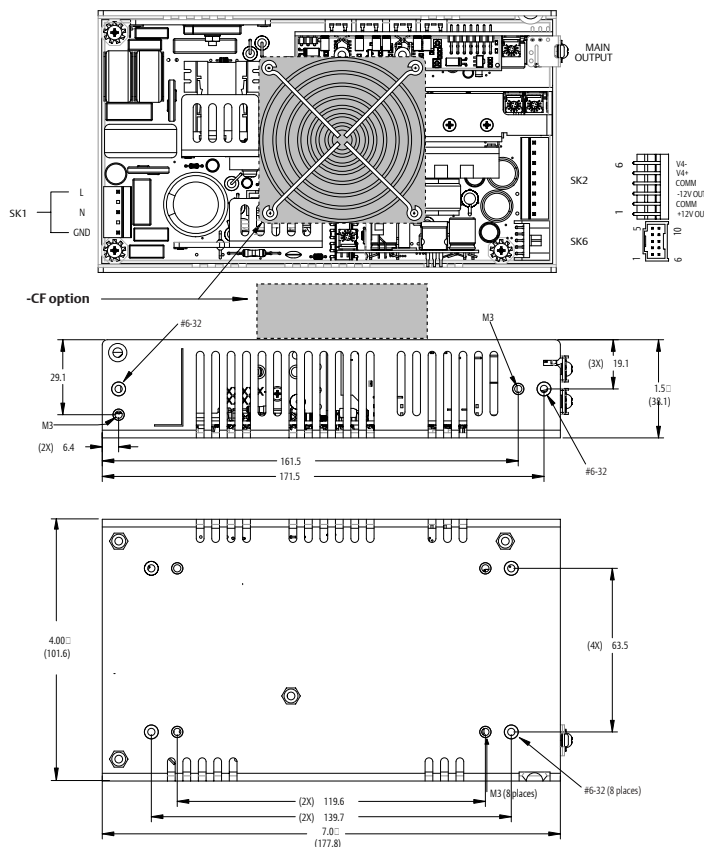
(SK1) AC Input: Molex 09-50-8051 (USA)
Molex 09-91-0500 (UK)
PINS: 08-58-0111

(SK2) Aux DC Output: Molex 09-50-8061 (USA)
Molex 09-91-0600 (UK)
PINS: 08-58-0111

(SK6) Control Signals: Molex 90142-0010 (USA)
PINS: 90119-2110 or
Amp: 87977-3
PINS: 87309-8

(SK4) Main output: Molex BB-124-08

Astec connector kit #70-841-017, includes al of the above.



Notes:

1. Specifications subject to change without notice.
2. All dimensions in inches (mm), tolerance is ±0.02".
3. Specifications are for convection rating at factory settings unless otherwise stated.
4. Mounting screw maximum insertion depth is 0.12".
5. Warranty: 1 year
6. Weight: 1.63 lb / 0.74 kg