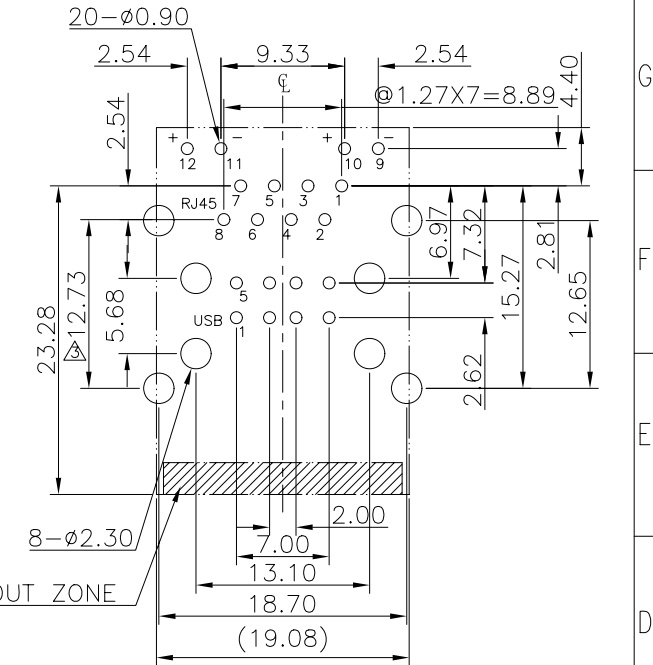
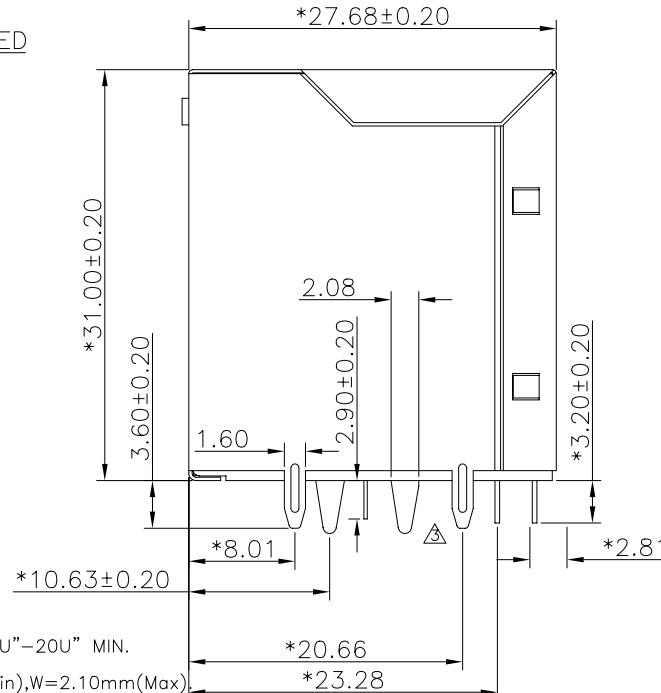
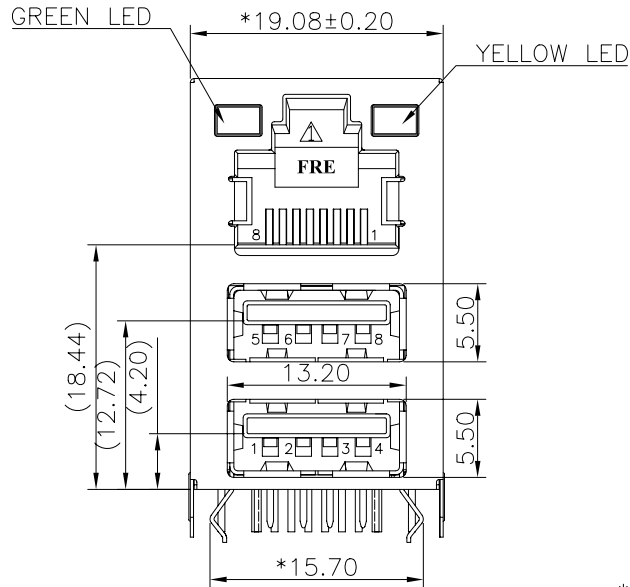


| REVISION RECORD | | | | |
|-----------------|-----|----------------|---------------------|------|
| REV | ECO | DESCRIPTION | DRFT | CHKD |
| △ | | ADD FRE LOGO | LUSHENG 02/17/03 | |
| △ | | MODIFY DRAWING | LIUXIN 04/4/05 | |
| △ | 4 | MODIFY DRAWING | Terry 11/02/05 | |



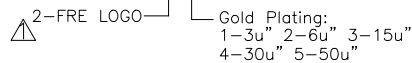
MECHANICAL:

- SHIELD MATERIAL : CARTRIDGE t=0.25mm.
10u"-20u" THICK NICKEL OVER 10U"-20U" MIN.
THICK NICKEL.
Tinned grounding tab,H=2.00mm(Min),W=2.10mm(Max)
- HOUSING MATERIAL : PBT+30%GF. THERMOPLASTIC UL94V-0;
- INSERT MATERIAL : PBT+30%GF. THERMOPLASTIC UL94V-0;
- CONTACT MATERIAL: PHOSPHORUS BRONZE t=0.35mm. (C5210EH)
- PLATING : 1. MATING AREA- 3u" MIN. GOLD OVER 30-80u" BRIGHT NICKEL.
2. SOLDER AREA- 75-300u" TIN OVER 30-80u" NICKEL.
3. LED PINS AREA- 75-300u" TIN OVER 30-80u" NICKEL.

RJ45 SPECIFICATIONS:

- ELECTRICAL CHARACTERISTICS:
 - CURRENT RATING:1.5AMPERES MAXIMUM.
 - VOLTAGE RATING:125VAC MAXIMUM.
 - INSULATION RESISTANCE:1000 MEGAOHMS MINIMUM @ 500VDC.
 - DIELECTRIC STENGTH:1000VAC RMS 60Hz,1MIN.
 - LED'S CHARACTERISTICS:
 - POWER DISSIPATION:80MW MAX.
 - FORWARD CURRENT:30MA MAX.
 - FORWARD VOLTAGE:2.2 VOLTS TYPICAL.
 - REVERSE VOLTAGE:5.0VOLTS MAX.
 - PEAR EMISSION WAVELENGTH:GREEN LED 568nm TYPICAL.
YELLOW LED 589 nm TYPICAL.
 - ANODE ↔ CATHODE
- MECHANICAL CHARACTERISTICS:
 - MATING/UNMATING FORCE:5 LBS MAXIMUM.
 - DURABILITY (MATING/UNMATING CYCLES):1000CYCLES.
 - OPERATING TEMPERATURE:0°C TO +70°C.
STORAGE TEMPERATURE:-40°C TO +85°C.
 - CONNECTOR TO PCB INSERTION FORCE < 8LBS.
 - PLUG TO JACK RETENTION:30LBS MIN.

PART NUMBER: E828B-2202UX



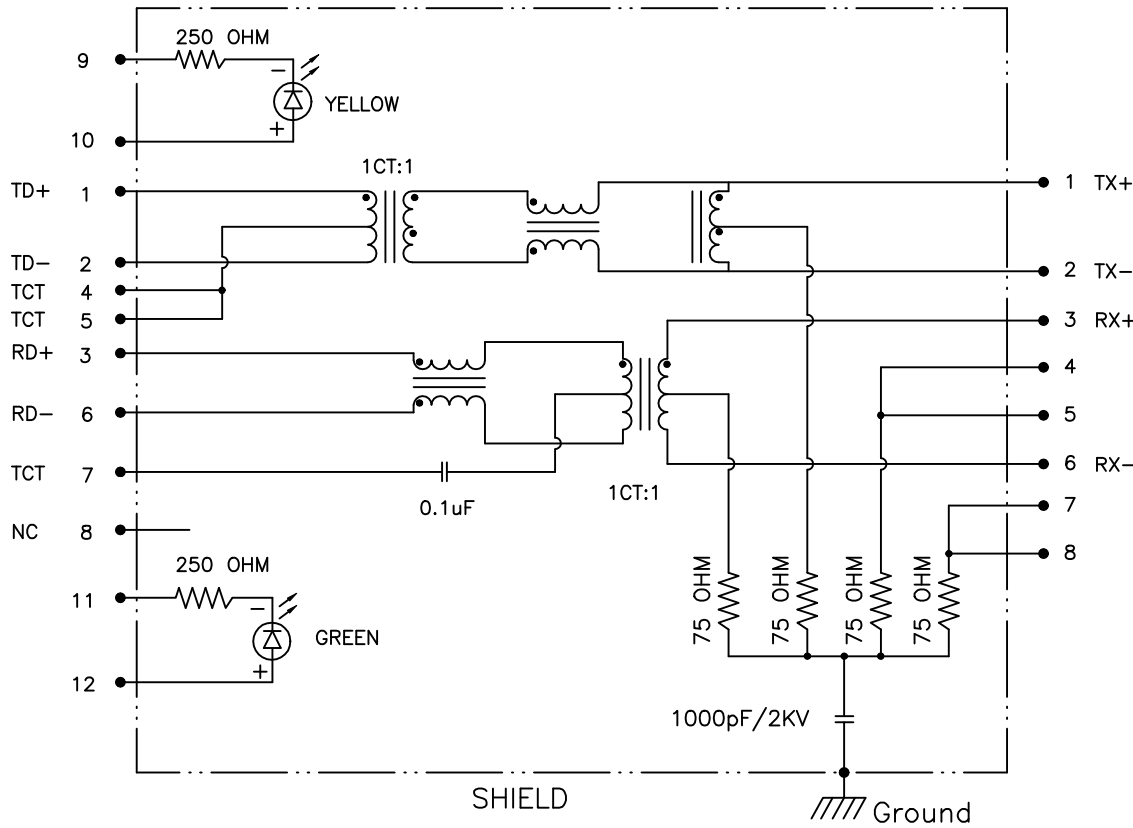
USB SPECIFICATIONS:

- ELECTRICAL CHARACTERISTICS:
 - CONTACT CURRENT RATING:1 AMPERS.
 - CONTACT RESISTANCE : 30 mOHMS MAX.
 - DIELECTRIC WITHSTANDING VOLTAGE:750 VAC RMS 60HZ,1 MIN.
 - INSULATION RESISTANCE:1000 MOHMS MIN @500 VDC.
- MECHANICAL CHARACTERISTICS:
 - CONTACT MATING FORCE:34.3N(3.5kg) MAX.
 - CONNECTOR UNMATING FORCE :9.8N(1.0kg) MIN.
 - DURABILITY:1500 CYCLES.
 - OPERATING TEMPERATURE:0°C TO +70°C.

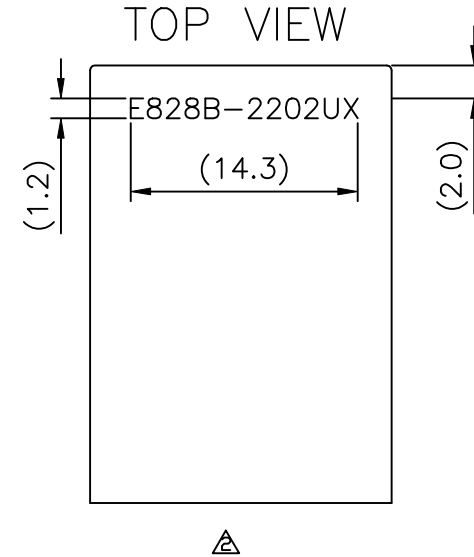
| | | | | | |
|----------------------------|---|--------------|----------------|-----------------------------------|------|
| MM (INCH) | | DFTO LUSHENG | DATE 09/28/02 | FULL RISE ELECTRONIC CO., LTD | |
| TOLERANCES EXCEPT AS NOTED | | CHKD SIX | DATE 2005/11/9 | | |
| MM | ± | MFO | DATE | TITLE FOUR IN ONE FOR 8PIN(QY) | |
| .0 ±0.20 | ± | APPLV-ARTHUR | DATE 2005/11/9 | | |
| .00 ±0.15 | ± | MATERIAL : | | DRAWING NO. GE823032 | |
| .000 ±0.075 | ± | FINISH : | | | |
| ANGLES ± | | QT'Y : | | A3 | 3 |
| THIRD ANGLE PROJECTION | | SCALE : 4:1 | | /PART NO. SEE NOTE | |
| DO NOT SCALE DRAWING | | | | SHEET 1 | OF 2 |

| REVISION RECORD | | | | |
|-----------------|-----|----------------|---------------------|------|
| REV | ECO | DESCRIPTION | DRFT | CHKD |
| △ | / | ADD FRE LOGO | LUSHENG 02/17/03 | |
| △ | / | MODIFY DRAWING | LUXIN 04/4/05 | |
| △ | 4 | MODIFY DRAWING | TIRTY 11/02/05 | |

PC BOARD CONNECTIONS



RJ45 CONNECTOR



NOTE:

- Transmitter filter:
 Type: Balance low pass 250 OHM impedance
 Insertion loss :1~65MHz 1.0dB Max.
 Return loss : 1~30MHz 18dB Min. load 100 OHM
 30~60MHz 16dB Min. load 100 OHM
 60~80MHz 12dB Min. load 100 OHM
- Receiver filter:
 Type: Balance low pass 250 OHM impedance
 Insertion loss :1~65MHz 1.0dB Max.
 Return loss : 1~30MHz 18dB Min. load 100 OHM
 30~60MHz 16dB Min. load 100 OHM
 60~80MHz 12dB Min. load 100 OHM
- Common Mode Rejection:
 @1~100MHz 30dB Min.
- Cross Talk: @1~100MHz 35dB Min.

- Inductance @ 100KHz,0.1v,8mA DC BIAS:
 Input(1-2),Input(3-6) : 400uH Min.

- Hipot Test:
 Input(1-2) to output(1-2) : 1500VAC,60sec.
 Input(3-6) to output(3-6) : 1500VAC,60sec.

| | | | | |
|---|--|--|--|--|
| MM (INCH) TOLERANCES EXCEPT AS NOTED | | DFTO LUSHENG DATE 09/28/02 CHKDSIX DATE2005/11/9 MFO DATE APPVL ARTHUR DATE2005/11/9 MATERIAL : ANGLS ± QTY : FINISH : SCALE : 5:1 | FULL RISE ELECTRONIC CO., LTD TITLE FOUR IN ONE FOR 8PIN(QY) | |
| DETACHED LISTS .0 ±0.20 ± .00 ±0.15 ± .000 ±0.075 ± ANGLS ± QTY : FINISH : SCALE : 5:1 | DRAWING NO. GE823032 /PART NO. SEE NOTE | SIZE A3 REV 3 11/02/05 | DO NOT SCALE DRAWING SHEET 2 OF 2 | |