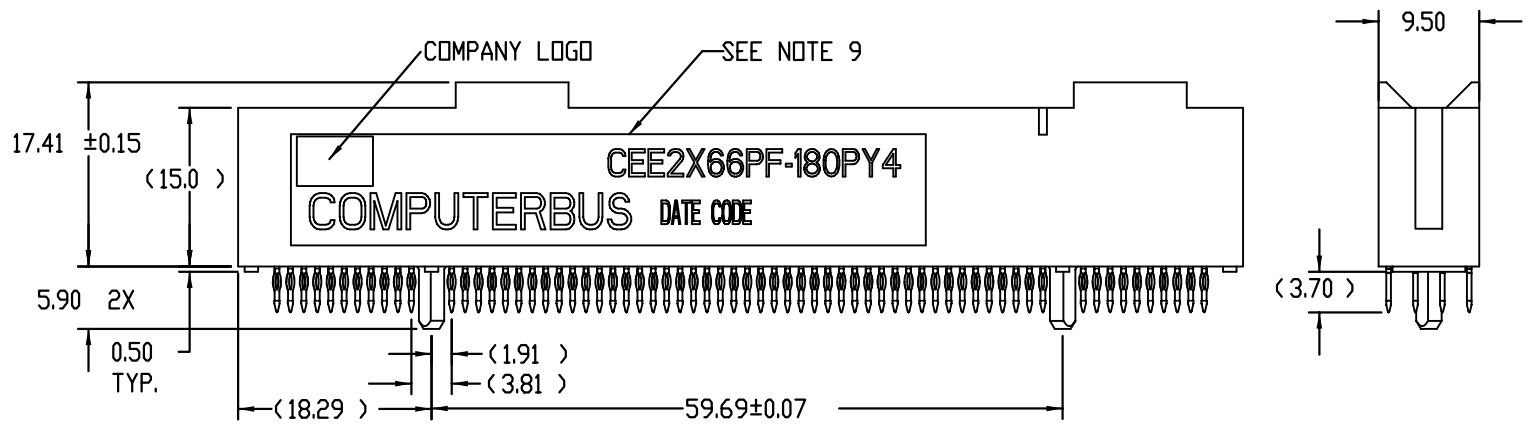
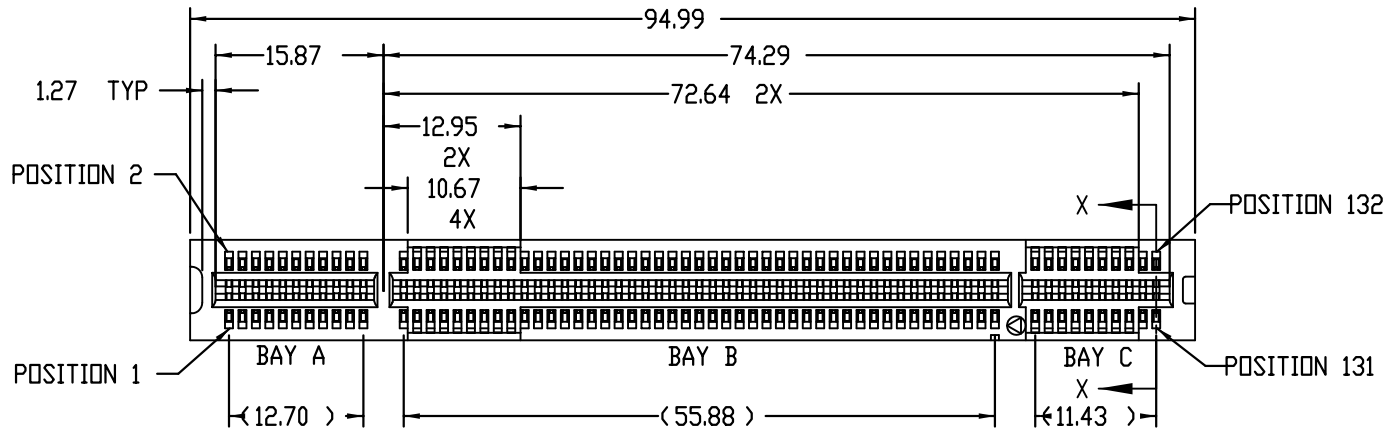


PRODUCT NUMBER
SEE TABLE

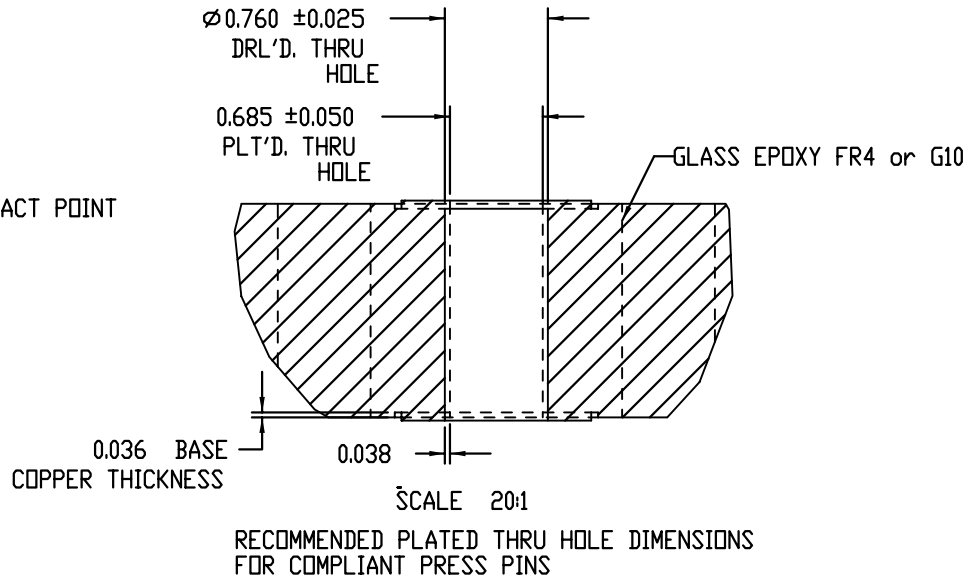
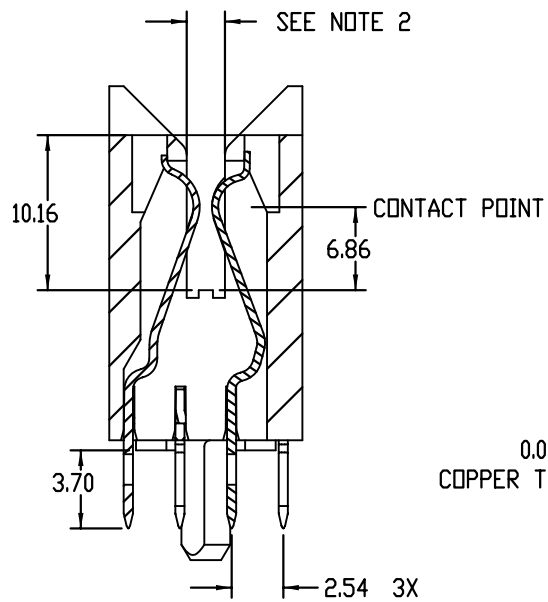


Copyright FCI

mat'l. code				surface ISO 1302	tolerance ISO 406 ISO 1101	projection MM	product family CARDEGE
ltr	ecn no	dr	date	tolerances unless otherwise specified		MM	title CEE 2X66 PF CONNECTOR ASSEMBLY
J	V11759	MEP	7/2/01	angles	linear	scale 3:2	sheet 1 of 6 size A3
K	V12247	GIP	9/18/01	0°±1'	.X±.2 .XX±.10 .XXX±.050		SE96028
L	V04-1156	TAB	12/14/04				type Product Customer Drawing
M	V04-0075	ERE	04/25/05	dr	G. PETERS	9/20/01	
N	M05-0037	MHT	3/30/06	engr	D. CASEY	9/11/01	
P	M06-0234	AGS	16/15/06	chr	G. PETERS	9/20/01	
R	M08-0221	AGS	08/08/08	appd	D. CASEY	9/20/01	
sheet	revision	R	R	R	R	R	
index	sheet	1	2	3	4	5	6

form: A3

FCI CATALOG NO. F/CONNECTORS W/CARD COLLECTORS	CONNECTOR SIZE	NO. CONTACTS LOADED	TERMIN.	LOAD PATTERN	CONTACT PAIRS BAY A	CONTACT PAIRS BAY B	CONTACT PAIRS BAY C
CEE2X66PF-180PY4	2x66	132	P.F.	FULLY LOADED	11	45	10
CEE2X66PF-180PY4LF	2x66	132	P.F.	FULLY LOADED	11	45	10



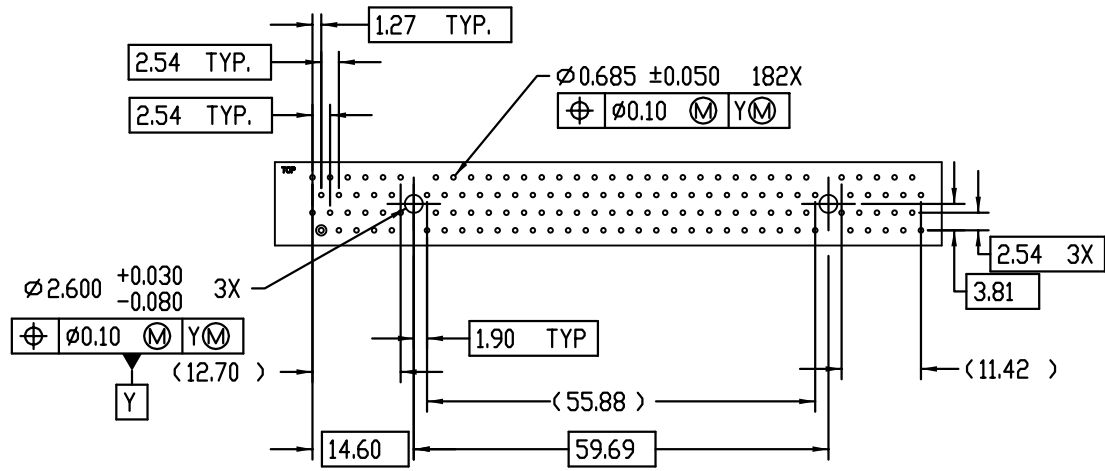
FCI
FCIconnect.com

Copyright FCI

mat'l. code		surface	tolerance	projection	product family
ISO 1302		ISO 406	ISO 1101		CARDEDGE
ltr	ecr no	dr	date	title	
R				CEE 2X66 PF CONNECTOR ASSEMBLY	
		angles	linear	MM	scale 3:1
		0° ± 1°	.X ± .2 .XX ± .10 .XXX ± .050		
		dr	G. PETERS	9/20/01	dwg no
		enr	D. CASEY	9/11/01	sheet 2 of 6
		chr	G. PETERS	9/20/01	size
		appd	D. CASEY	9/20/01	A3
sheet index	revision sheet	type Product Customer Drawing			

form A3

PRODUCT NUMBER
SEE TABLE



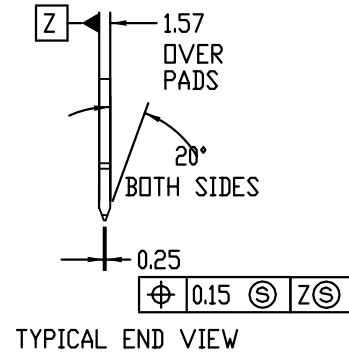
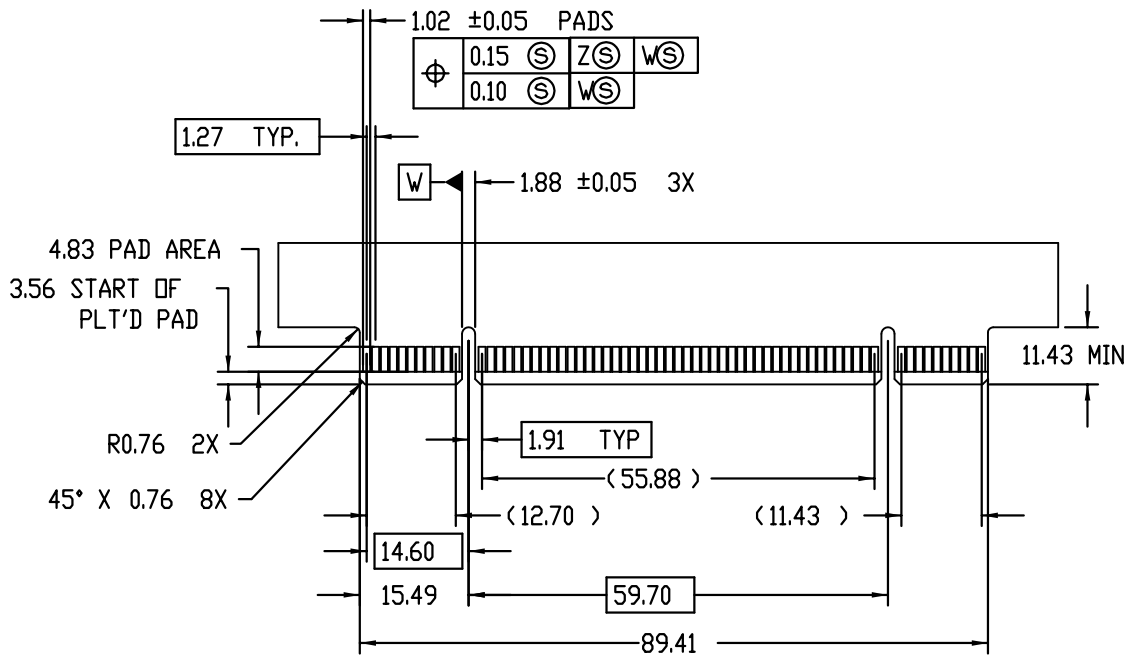
RECOMMEND BACKPLANE LAYOUT f/CEE2X66PF-180PY4 & CEE2X66PF-180PY4LF



Copyright FCJ

mat'l code		surface ISO 1302	tolerance ISO 406 ISO 1101	projection 	product family CARDEDGE
ltr	ecm no	dr	date	tolerances unless otherwise specified	title
R				angles linear 0° ± 1°	CEE 2X66 PF CONNECTOR ASSEMBLY
				.X ± .2 .XX ± .10 .XXX ± .050	scale 3:2
dr	G. PETERS	9/20/01			MM
engr	D. CASEY	9/11/01			FCJ
chr	G. PETERS	9/20/01			dwg no
appd	D. CASEY	9/20/01			sheet 3 of 6 size
sheet index	revision sheet				SE96028 A3
					type Product Customer Drawing

PRODUCT NUMBER
SEE TABLE



RECOMMENDED MATING COMPONENT PCB FOR CEE2X66PF-180PY4 & CEE2X66PF-180PY4LF



Copyright FCI

mat'l code				surface ISO 1302	tolerance ISO 406 ISO 1101	projection MM	product family CARDEDGE
ltr	ecn no	dr	date	tolerances unless otherwise specified			title
R				angles	linear	MM	CEE 2X66 PF CONNECTOR ASSEMBLY
				0°±1°	.X±.2 .XX±.10 .XXX±.050	scale 3:2	dwg no sheet 4 of 6 size
				dr	G. PETERS	9/20/01	SE96028
				enr	D. CASEY	9/11/01	A3
				chr	G. PETERS	9/20/01	
				appd	D. CASEY	9/20/01	
sheet index	revision sheet						type Product Customer Drawing

PRODUCT NUMBER
SEE TABLE

NOTES:

1. INTERPRET THIS DRAWING IN ACCORDANCE WITH ANSI Y14.5M -1982.
- ② CONNECTORS WITH CARD COLLECTING SCOOPS ARE DESIGNED TO ACCOMMODATE 1.57+/-0.180 PC BOARDS WITH WARPAGE UP TO +/-2.03.
3. RECOMMENDED COMPONENT BOARD MATERIAL:
P.C. BOARD:FR-4 WITH 28.35 GRAMS MIN. COPPER, PADS PLATED WITH .76 MICRONS MIN GOLD, PER MIL-G-45204, TYPE 1, CLASS 1, GRADE C OVER 2.54 MICRONS MIN NI. UNDERPLATE PER QQ-N-290.
4. RECOMMENDED BACK PLANE THICKNESS IS 2.39 FOR 3.71 COMPLIANT TAIL.
5. CONTACT MATING SURFACES ARE LUBRICATED WITH OS-138.
6. MATERIAL:
 BODY: POLYPHTHALAMIDE (PPA) UL RATED 94V-0
 COLOR, BLACK

 CONTACTS: PHOS BRONZE

 CONTACT FINISH:
 MAYBE BE EITHER 30μ*(0.76μm) GOLD OR 30μ*(0.76μm) GXT PLATED AT MANUFACTURER'S OPTION IN CRITICAL CONTACT AREA.
 1-3μm (39-118μ") TIN-LEAD OVER 1.27μm(50μ") NI UNDERPLATE ON CONTACT TAILS.

LEAD FREE OPTION:
 MAYBE BE EITHER 30μ*(0.76μm) GOLD OR 30μ*(0.76μm) GXT PLATED AT MANUFACTURER'S OPTION IN CRITICAL CONTACT AREA.
 1-3μm (39-118μ") PURE TIN OVER 1.27μm(50μ") NI UNDERPLATE ON CONTACT TAILS.
7. PERFORMANCE CHARACTERISTICS: SEE SHEET 7.
8. APPLICATION SPECIFICATION PER BUS-09-026.
9. ITEM NAME, LOGO, PART NUMBER, DATE CODE, AND UL SYMBOLS TO BE DISPLAYED IN THIS AREA.
- ⑩ LF SUFFIX AT THE END OF PART NUMBER IS LEAD FREE.
- ⑪ THIS PRODUCT MEETS EUROPEAN UNION DIRECTIVES AND OTHER COUNTRY REGULATION AS DESCRIBED IN GS-22-008.



Copyright FCI

mat'l. code		surface ISO 1302		tolerance ISO 406 ISO 1101		projection		product family CARDEGE	
ltr	ec'n no	dr	date	tolerances unless otherwise specified		MM		title CEE 2X66 PF CONNECTOR ASSEMBLY	
R				angles	linear	.X±.2 .XX±.10 .XXX±.050		scale 1:2	
				0°±1°				dwg no sheet 5 of 6 size	
				dr	G. PETERS	9/20/01		FCI	
				enr	D. CASEY	9/11/01		SE96028 A3	
				chr	G. PETERS	9/20/01		type Product Customer Drawing	
				appd	D. CASEY	9/20/01			
sheet	revision								
index	sheet								

form A3

PRODUCT NUMBER
SEE TABLE

PERFORMANCE CHARACTERISTICS:

ENVIRONMENTAL:

OPERATING TEMPERATURE: -40C TO 105C
THERMAL SHOCK: MIL-STD-1344, METHOD 1003.1-55C TO +85C, 5 CYCLES)

FLAMABILITY RATING: UL94V-0

MECHANICAL:

DURABILITY: 100 MATING CYCLES WITHOUT PHYSICAL DAMAGE, OR EXCEEDING LOW LEVEL CONTACT RESISTANCE REQUIREMENTS WHEN MATED WITH RECOMMENDED CARD.

CONTACT RETENTION: MIL-STD-1344, METHOD 2007.1, 4.4 N MIN.

MATING FORCE: MIL-STD-1344, METHOD 2013.1 2.0 N MAX. AVERAGE PER OPPOSING PAIR USING GAUGE PER MIL-STD-C-21097 WITH CARD PROFILE

CONTACT NORMAL FORCE: 0.72 N MINIMUM

PRESS FIT TERMINATION FORCES: INSERTION FORCE 70 N MAX. PER PIN
RETENTION FORCE 9 N MIN. PER PIN

ELECTRICAL:

CONTACT RESISTANCE: MIL-STD-1344, METHOD 3002-1, WITH 10 MILLIOHM MAX. INITIAL, 20 (LOW SIGNAL LEVEL) MILLIOHM RISE. COMPONENT BOARD SIDE - 1 MILLIOHM MAX., CONNECTION PRESS FIT PIN WITH w/PLATED THROUGH HOLE.

INSULATION RESISTANCE: MIL-STD-202, METHOD 302, CONDITION B, 1000 MEGOHMS MIN.

DIELECTRIC WITHSTAND VOLTAGE: MIL-STD-1344, METHOD D3001.1 CONDITION 1, 500 VAC RM

CAPACITANCE: 2 PICROFARADS, MAX AT 1 MEGAHERTZ

CURRENT RATING: 1 AMP, 30C RISE ABOVE AMBIENT

VOLTAGE RATING: 150 VAC (RMS)



Copyright FCJ

mat'l. code		surface ISO 1302		tolerance ISO 406 ISO 1101		projection 		product family CARDEDGE	
ltr	ecn no	dr	date	tolerances unless otherwise specified		title		sheet 6 of 6 size	
R				angles	linear	MM		CEE 2X66 PF	
				0°±1°		scale 1:2		CONNECTOR ASSEMBLY	
				dr	G. PETERS	9/20/01	FCJ		SE96028
				engr	D. CASEY	9/11/01			A3
				chr	G. PETERS	9/20/01			
				appd	D. CASEY	9/20/01			
sheet	revision								
index	sheet								