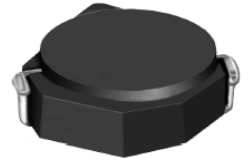
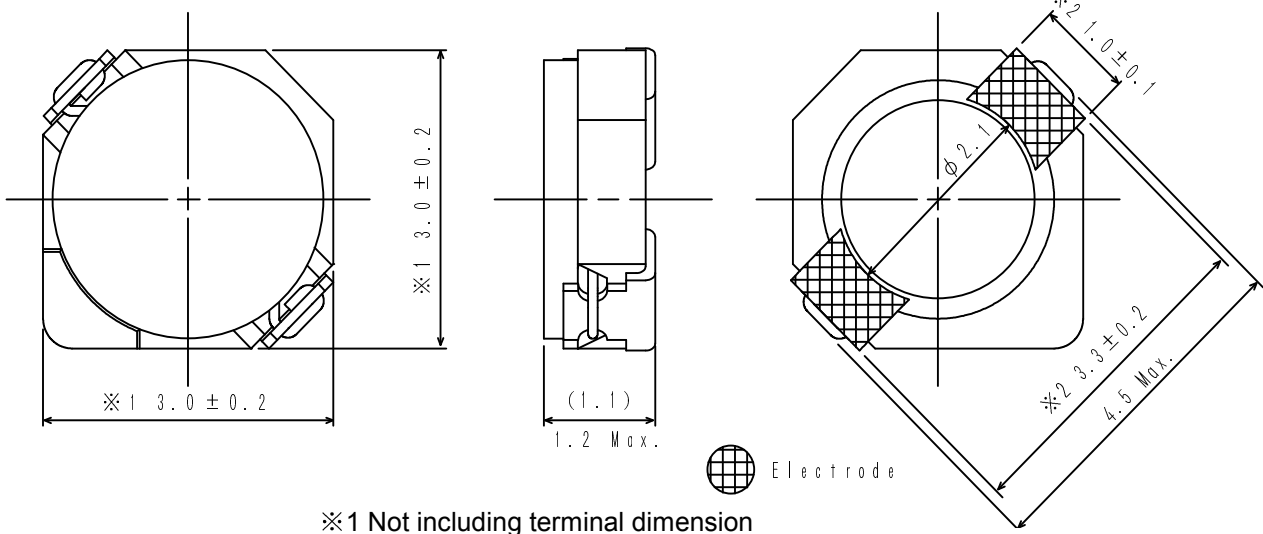
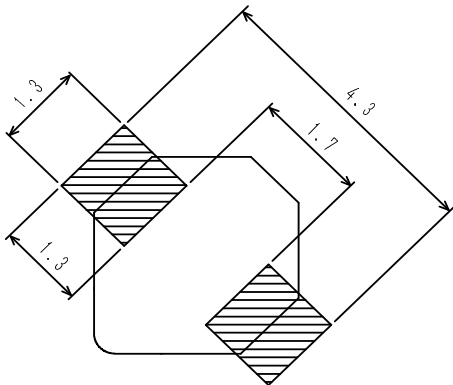
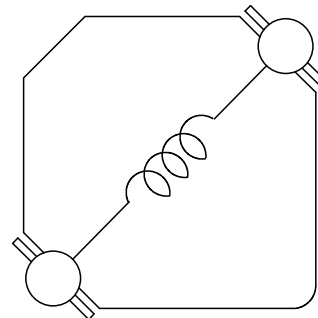


Type: CDRH2D11B/HP
◆ Product Description

- 3.2×3.2mm Max.(L×W),1.2mm Max. Height.
- Inductance range: 1.0~10 μ H.
- Rated current range: 0.52~1.75A .
- Custom design is available.

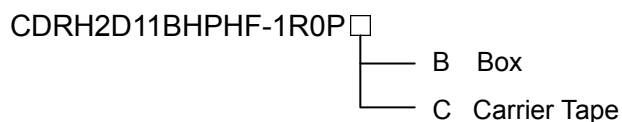

◆ Feature

- Magnetically shielded construction.
- Storage temperature range: -40°C~+105°C.
- Operating temperature range: -40°C~+105°C (Including coil's self temperature rise).
- Ideally used in Mobilephone,PDA,MP3,DSC/DVC,Portable DVD, etc as DC-DC converter.
- RoHS compliance and Halogen Free.

◆ Dimensions (mm)

◆ Land Pattern (mm)

◆ Schematics (Bottom)


Type: CDRH2D11B/HP
◆ Specification

Part Name ※	Stamp	Inductance (μ H) 100kHz/1V	D.C.R. (m Ω) Max.(Typ.) (at 20°C)	Saturation Current (A) ※1		Temperature Rise Current (A) ※2
				at 20°C	at 105°C	
CDRH2D11BHPHF-1R0P□	A	1.0 \pm 25%	68.6(54.9)	2.10	1.70	1.75
CDRH2D11BHPHF-1R5P□	B	1.5 \pm 25%	103.9(83.1)	1.65	1.40	1.45
CDRH2D11BHPHF-1R8P□	C	1.8 \pm 25%	116.1(92.9)	1.50	1.30	1.30
CDRH2D11BHPHF-2R2P□	D	2.2 \pm 25%	133.3(106.6)	1.40	1.20	1.15
CDRH2D11BHPHF-3R3P□	E	3.3 \pm 25%	194.6(156.7)	1.15	0.94	0.95
CDRH2D11BHPHF-4R7P□	F	4.7 \pm 25%	234.6(187.7)	0.95	0.80	0.80
CDRH2D11BHPHF-5R6P□	G	5.6 \pm 25%	281.9(225.5)	0.90	0.75	0.76
CDRH2D11BHPHF-6R8P□	H	6.8 \pm 25%	359.4(287.5)	0.78	0.65	0.65
CDRH2D11BHPHF-8R2P□	I	8.2 \pm 25%	405.5(324.4)	0.73	0.60	0.62
CDRH2D11BHPHF-100P□	J	10.0 \pm 25%	552.5(442.0)	0.63	0.52	0.52

※ Description of part name


※1. Saturation current: The DC current at which the inductance decreases to 65% of its nominal value.

※2. Temperature rise current: The DC current at which the temperature rise is $\Delta t=40^{\circ}\text{C}$ ($T_a=20^{\circ}\text{C}$).