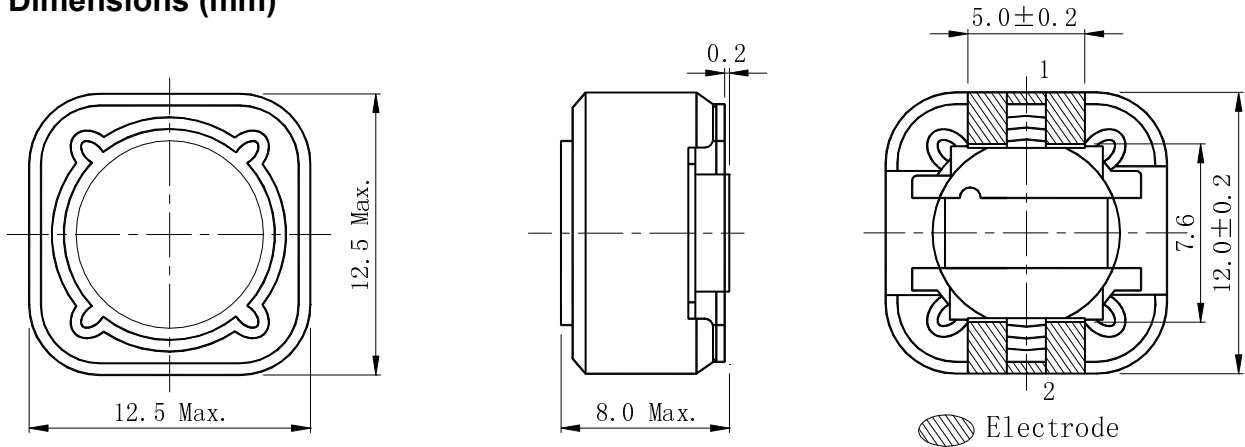
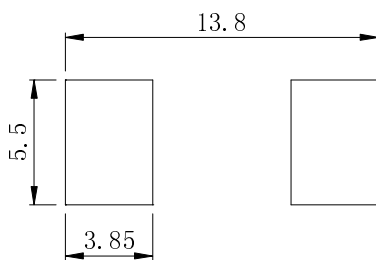
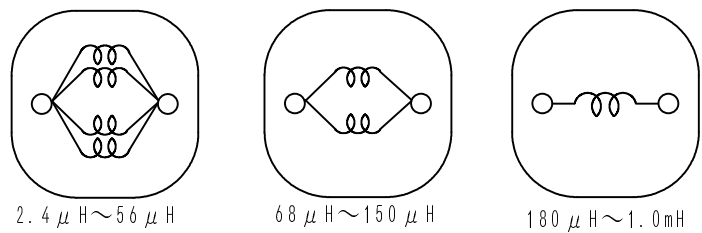


Type: CDRH127/HP
◆ Product Description

- 12.5×12.5mm Max.(L×W), 8.0mm Max. Height.
- Inductance range: 2.4~1000μH .
- Rated current range: 0.62~7.7A.
- Custom design is available.


◆ Feature

- Magnetically shielded construction.
- Ideally used in Notebook PC, LCD TV,DVD, Game machine, STB ,Projector etc as DC-DC Converter inductors.
- RoHS Compliance.

◆ Dimensions (mm)

◆ Land Pattern (mm)

◆ Schematics (Bottom)


Type: CDRH127/HP
◆ Specification

Part Name	Stamp	Inductance (μ H) ※1	D. C.R. (Ω) (at 20°C)	Saturation current (A) ※2	Temperature Rise Current (A) ※3
CDRH127/HPNP-2R4N□	2R4	2.4 ^{+40%} _{-20%}	11.3m(9.0m)	13.60(17.00)	7.70(8.95)
CDRH127/HPNP-3R5N□	3R5	3.5 ^{+40%} _{-20%}	12.5m(10.0m)	12.24(15.30)	7.30(8.30)
CDRH127/HPNP-4R7N□	4R7	4.7 ^{+40%} _{-20%}	18.8m(15.0m)	10.80(13.50)	6.01(6.85)
CDRH127/HPNP-6R1N□	6R1	6.1 ^{+40%} _{-20%}	21.3m(17.0m)	9.12(11.40)	5.50(6.25)
CDRH127/HPNP-7R6N□	7R6	7.6 ^{+40%} _{-20%}	23.8m(19.0m)	8.16(10.20)	5.25(6.00)
CDRH127/HPNP-100M□	100	10±20%	26.3m(21.0m)	6.72(8.40)	4.90(5.60)
CDRH127/HPNP-120M□	120	12±20%	28.8m(23.0m)	6.56(8.20)	4.70(5.40)
CDRH127/HPNP-150M□	150	15±20%	31.3m(25.0m)	6.16(7.70)	4.50(5.10)
CDRH127/HPNP-180M□	180	18±20%	33.8m(27.0m)	5.68(7.10)	4.15(4.80)
CDRH127/HPNP-220M□	220	22±20%	48.8m(39.0m)	5.60(7.00)	3.73(4.20)
CDRH127/HPNP-270M□	270	27±20%	56.3m(45.0m)	4.96(6.20)	3.60(4.10)
CDRH127/HPNP-330M□	330	33±20%	77.5m(62.0m)	4.32(5.40)	2.90(3.30)
CDRH127/HPNP-390M□	390	39±20%	83.8m(67.0m)	3.92(4.90)	2.98(3.39)
CDRH127/HPNP-470M□	470	47±20%	93.8m(75.0m)	3.40(4.25)	2.70(3.10)
CDRH127/HPNP-560M□	560	56±20%	0.105(84.0m)	3.36(4.20)	2.50(2.85)
CDRH127/HPNP-680M□	680	68±20%	0.135(0.108)	3.20(4.00)	2.25(2.55)
CDRH127/HPNP-820M□	820	82±20%	0.148(0.118)	2.88(3.60)	2.25(2.55)
CDRH127/HPNP-101M□	101	100±20%	0.253(0.202)	2.52(3.15)	1.56(1.80)
CDRH127/HPNP-121M□	121	120±20%	0.278(0.222)	2.44(3.05)	1.55(1.78)
CDRH127/HPNP-151M□	151	150±20%	0.314(0.251)	2.08(2.60)	1.42(1.62)
CDRH127/HPNP-181M□	181	180±20%	0.319(0.255)	1.94(2.42)	1.45(1.65)
CDRH127/HPNP-221M□	221	220±20%	0.359(0.287)	1.82(2.27)	1.40(1.60)
CDRH127/HPNP-271M□	271	270±20%	0.533(0.426)	1.64(2.05)	1.10(1.25)
CDRH127/HPNP-331M□	331	330±20%	0.579(0.463)	1.46(1.82)	1.05(1.20)
CDRH127/HPNP-391M□	391	390±20%	0.668(0.534)	1.33(1.66)	1.05(1.18)
CDRH127/HPNP-471M□	471	470±20%	0.839(0.671)	1.28(1.60)	0.92(1.04)
CDRH127/HPNP-561M□	561	560±20%	0.950(0.760)	1.15(1.44)	0.84(0.94)
CDRH127/HPNP-681M□	681	680±20%	1.31(1.09)	0.98(1.22)	0.72(0.80)
CDRH127/HPNP-821M□	821	820±20%	1.42(1.18)	0.94(1.18)	0.68(0.78)
CDRH127/HPNP-102M□	102	1000±20%	1.61(1.34)	0.88(1.10)	0.62(0.70)

Type: CDRH127/HP
※ Description of part name

CDRH127/HPNP-2R4N□

		B	Box
		C	Carrier Tape

※1. Inductance was tested at :1.2 μ H ~ 7.6 μ H at 100kHz
 10 μ H ~ 1.0mH at 1kHz.

※2. Saturation Current: The DC current at which the inductance decreases to 75% of its nominal value.

※3. Temperature rise current: The DC current at which the temperature rise is $\Delta t=40^{\circ}\text{C}$. ($T_a=20^{\circ}\text{C}$)