

SMD Power Inductor CDRH127/HP



■ Features

- ◎ 12.5 × 12.5mm Max. (L × W) and 8.0mm Max height.
- ◎ Operating temperature range: -40°C~+100°C.
- ◎ Magnetically shielded.
- ◎ RoHS and Halogen-Free Compliance.

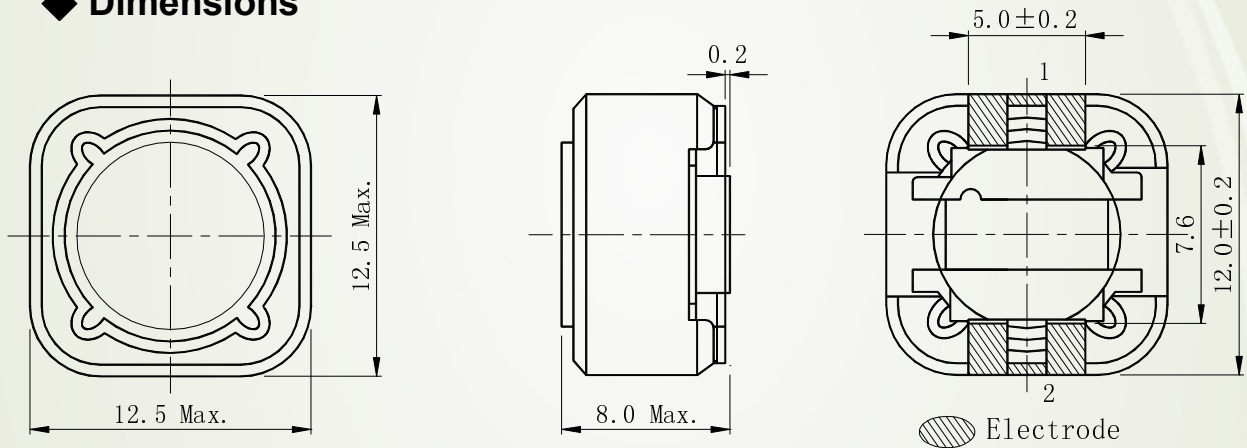


■ Applications

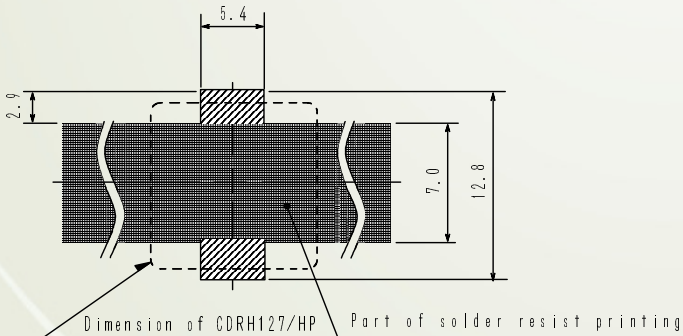
Surface mount inductor for Notebook PC, LCD TV, DVD, Game machine, STB, Projector etc as DC-DC converter inductors.

■ Shapes and Dimensions/Recommended Land Patterns(mm)

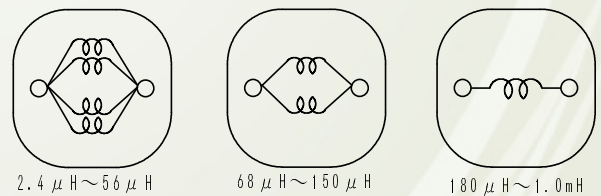
◆ Dimensions



◆ Land pattern



◆ Schematics (Bottom)



SMD Power Inductor CDRH127/HP



■Electrical Characteristics specification.

Part Name	Stamp	Inductance (μH) ※ 1	D. C.R. (Ω) (at 20°C)	Saturation current (A) ※ 2	Temperature Rise Current (A) ※ 3
CDRH127/HPNP-2R4NC	2R4	2.4 $\begin{smallmatrix} +40\% \\ -20\% \end{smallmatrix}$	11.3m(9.0m)	13.60(17.00)	7.70(8.95)
CDRH127/HPNP-3R5NC	3R5	3.5 $\begin{smallmatrix} +40\% \\ -20\% \end{smallmatrix}$	12.5m(10.0m)	12.24(15.30)	7.30(8.30)
CDRH127/HPNP-4R7NC	4R7	4.7 $\begin{smallmatrix} +40\% \\ -20\% \end{smallmatrix}$	18.8m(15.0m)	10.80(13.50)	6.01(6.85)
CDRH127/HPNP-6R1NC	6R1	6.1 $\begin{smallmatrix} +40\% \\ -20\% \end{smallmatrix}$	21.3m(17.0m)	9.12(11.40)	5.50(6.25)
CDRH127/HPNP-7R6NC	7R6	7.6 $\begin{smallmatrix} +40\% \\ -20\% \end{smallmatrix}$	23.8m(19.0m)	8.16(10.20)	5.25(6.00)
CDRH127/HPNP-100MC	100	10 \pm 20%	26.3m(21.0m)	6.72(8.40)	4.90(5.60)
CDRH127/HPNP-120MC	120	12 \pm 20%	28.8m(23.0m)	6.56(8.20)	4.70(5.40)
CDRH127/HPNP-150MC	150	15 \pm 20%	31.3m(25.0m)	6.16(7.70)	4.50(5.10)
CDRH127/HPNP-180MC	180	18 \pm 20%	33.8m(27.0m)	5.68(7.10)	4.15(4.80)
CDRH127/HPNP-220MC	220	22 \pm 20%	48.8m(39.0m)	5.60(7.00)	3.73(4.20)
CDRH127/HPNP-270MC	270	27 \pm 20%	56.3m(45.0m)	4.96(6.20)	3.60(4.10)
CDRH127/HPNP-330MC	330	33 \pm 20%	77.5m(62.0m)	4.32(5.40)	2.90(3.30)
CDRH127/HPNP-390MC	390	39 \pm 20%	83.8m(67.0m)	3.92(4.90)	2.98(3.39)
CDRH127/HPNP-470MC	470	47 \pm 20%	93.8m(75.0m)	3.40(4.25)	2.70(3.10)
CDRH127/HPNP-560MC	560	56 \pm 20%	0.105(84.0m)	3.36(4.20)	2.50(2.85)
CDRH127/HPNP-680MC	680	68 \pm 20%	0.135(0.108)	3.20(4.00)	2.25(2.55)
CDRH127/HPNP-820MC	820	82 \pm 20%	0.148(0.118)	2.88(3.60)	2.25(2.55)
CDRH127/HPNP-101MC	101	100 \pm 20%	0.253(0.202)	2.52(3.15)	1.56(1.80)
CDRH127/HPNP-121MC	121	120 \pm 20%	0.278(0.222)	2.44(3.05)	1.55(1.78)
CDRH127/HPNP-151MC	151	150 \pm 20%	0.314(0.251)	2.08(2.60)	1.42(1.62)
CDRH127/HPNP-181MC	181	180 \pm 20%	0.319(0.255)	1.94(2.42)	1.45(1.65)
CDRH127/HPNP-221MC	221	220 \pm 20%	0.359(0.287)	1.82(2.27)	1.40(1.60)
CDRH127/HPNP-271MC	271	270 \pm 20%	0.533(0.426)	1.64(2.05)	1.10(1.25)
CDRH127/HPNP-331MC	331	330 \pm 20%	0.579(0.463)	1.46(1.82)	1.05(1.20)
CDRH127/HPNP-391MC	391	390 \pm 20%	0.668(0.534)	1.33(1.66)	1.05(1.18)
CDRH127/HPNP-471MC	471	470 \pm 20%	0.839(0.671)	1.28(1.60)	0.92(1.04)
CDRH127/HPNP-561MC	561	560 \pm 20%	0.950(0.760)	1.15(1.44)	0.84(0.94)
CDRH127/HPNP-681MC	681	680 \pm 20%	1.31(1.09)	0.98(1.22)	0.72(0.80)
CDRH127/HPNP-821MC	821	820 \pm 20%	1.42(1.18)	0.94(1.18)	0.68(0.78)
CDRH127/HPNP-102MC	102	1000 \pm 20%	1.61(1.34)	0.88(1.10)	0.62(0.70)

SMD Power Inductor CDRH127/HP



※1. Inductance was tested at : $1.2 \mu\text{H} \sim 7.6 \mu\text{H}$ at 100kHz

$10 \mu\text{H} \sim 1.0\text{mH}$ at 1kHz.

※2 Saturation Current: The DC current at which the inductance decreases to 70% of its nominal value.

※3 Temperature Rise Current: The DC current at which the temperature rise is $\Delta t = 40^\circ\text{C}$ ($T_a = 20^\circ\text{C}$).

For More Information

Hong Kong

Tel. +852-2880-6688
FAX. +852-2565-9600

Shanghai

Tel. +86-021-58363299
FAX. +86-021-58363266

Shenzhen

Tel. +86-755-82910228
FAX. +86-755-82910338

Taipei

Tel. +886-2-27065228
FAX. +886-2-27065229

Tokyo

Tel. +81-3-5202-7112
FAX. +81-3-5202-7105

Seoul

Tel. +82-2-6237-0777
FAX. +82-2-6237-0778

Singapore

Tel. +65-6296-3388
FAX. +65-6296-3390

Malaysia

Tel. +60-3-8733-0900
FAX. +60-3-8737-7384

Chicago

Tel. +1-847-545-6700
FAX. +1-847-545-6720

California

Tel. +1-408-321-9660
FAX. +1-408-321-9308

