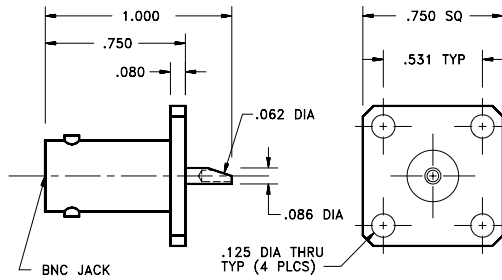


### Panel Mount Female Jack - Solder Pot Type

Model Number

**BNC-5740-15-POT-10**

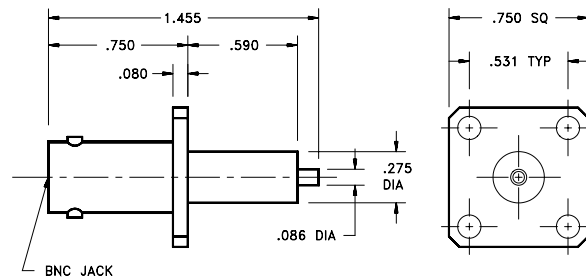


Note: Standard finish is Nickel plated brass.

### Panel Mount Female Jack - Terminal Type

Model Number

**BNC-5710-15-TRM-10**

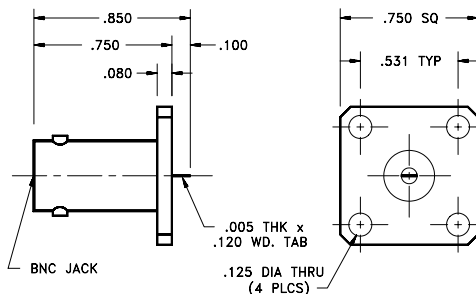


Note: Standard finish is Nickel plated brass.

### Panel Mount Female Jack - Tab Terminal Type

Model Number

**BNC-5730-15-TAB-10**

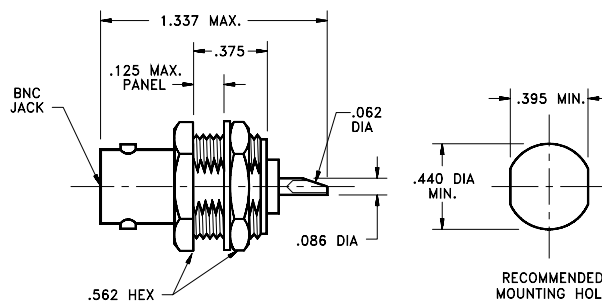


Note: Standard finish is Nickel plated brass.

### Bulkhead Female Jack - Front Mount

Model Number

**BNC-5040-12-POT-10**



Note: Standard finish is Nickel plated brass. Detail interface dimensional information can be found in the appendix.