

SMD HIGH CURRENT SHIELDED POWER INDUCTOR



ASPI-5123-xxx



RoHS
Compliant

12.9 x 12.9 x 5.8mm

FEATURES:

- Magnetically shielded with alloy Ferrite core
- High energy storage capacity and low DCR
- Suitable for high currents with low power loss
- High energy storage capacity
- Self-leads, miniaturization design for high density mounting & high current use

APPLICATIONS:

- DC/DC converter; especially for CPUs, memory, FDD & CDR of notebooks, and servers
- Battery power equipment
- Power Supply to the peripheral IC
- Battery Charger
- Power Source circuits, DC/AC inverters, EMI filter, etc.

ELECTRICAL SPECIFICATIONS:

PARAMETERS

ABRACON P/N	ASPI-5123-xxx
Operating Temperature	-40°C to +85°C
Storage Temperature	-55°C to +125°C
Test Condition	100KHz/100mV

Electrical Characteristics

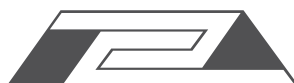
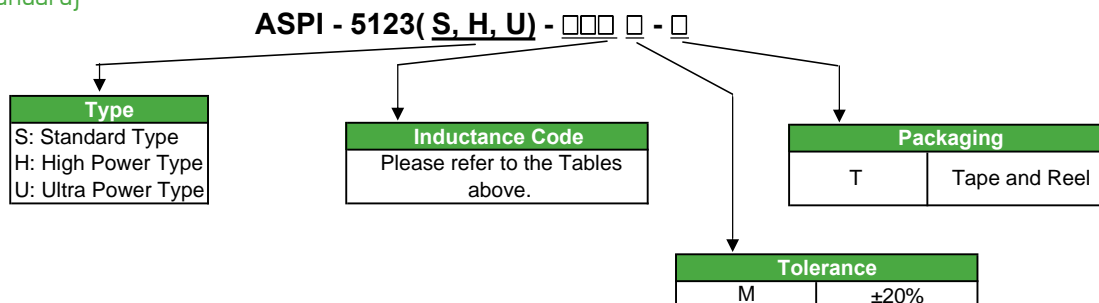
Part Number	L (μ H) $\pm 20\%$	ASPI-5123(Standard Type)		ASPI-5123 (High Power Type)		ASPI-5123 (Ultra Power Type)	
		DCR (m Ω) Max	Rated DC Current (A)	DCR (m Ω) Max	Rated DC Current (A)	DCR (m Ω) Max	Rated DC Current (A)
ASPI-5123U- R35	0.4					1.8	18.5
ASPI-5123U- R80	0.8					2.5	16.5
ASPI-5123H- 1R0	1.0			2.5	16.5		
ASPI-5123S- 1R2	1.2						
ASPI-5123U- 1R4	1.4					3.4	15.5
ASPI-5123S- 1R5	1.5	2.5	14.0				
ASPI-5123H- 1R8	1.8			3.4	15.3		
ASPI-5123U- 2R2	2.2					5.4	12.5
ASPI-5123S- 2R5	2.5	3.4	10.0				
ASPI-5123H- 2R8	2.8			5.4	12.3		
ASPI-5123U- 3R2	3.2					8.0	9.9
ASPI-5123S(H)- 4R0	4.0	5.4	8.3	8.0	9.9		
ASPI-5123U- 4R3	4.3					11.4	8.2
ASPI-5123H(U)- 5R6	5.6			11.4	8.2	13.5	7.6
ASPI-5123S(H)- 6R0	6.0	8.0	6.7				
ASPI-5123H- 7R2	7.2			13.5	7.6		
ASPI-5123S- 8R2	8.2	11.4	5.8				
ASPI-5123S- 100	100	13.5	5.0				

Note:

*The rated current indicates the current when the inductance decreases to 75% over its nominal value or D.C. current when the temperature rising $\Delta t = 40^\circ\text{C}$ lower, whichever is lower.

OPTIONS & PART IDENTIFICATION:

(Left blank if standard)



SMD HIGH CURRENT SHIELDED POWER INDUCTOR



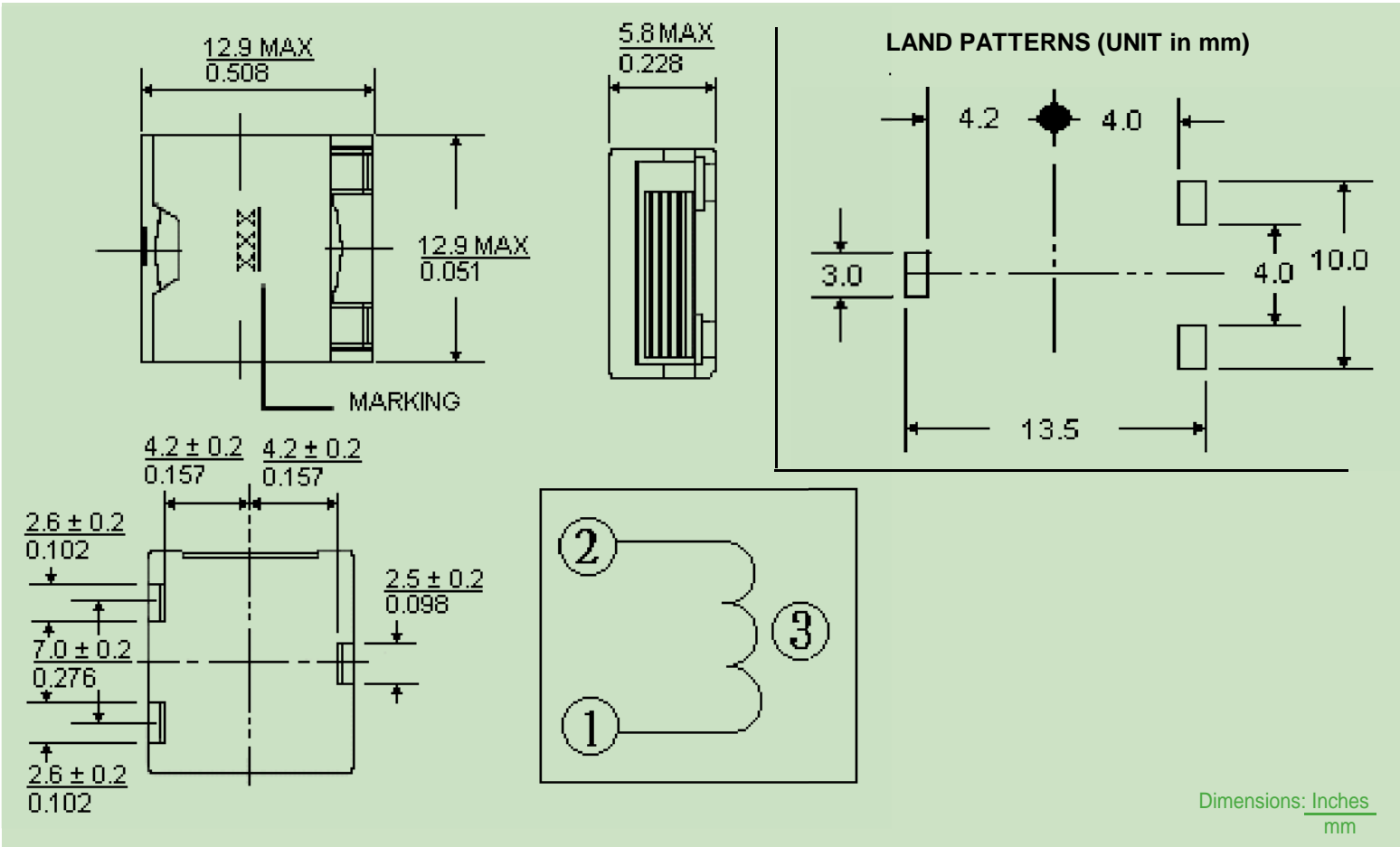
12.9 x 12.9 x 5.8mm

ASPI-5123-xxx



RoHS
Compliant

OUTLINE DRAWING:



TAPE & REEL: T = Tape and reel 500pcs/reel

