

SMD HIGH CURRENT SHIELDED POWER INDUCTOR



12.9 x 12.9 x 5.8mm

ASPI-5123(S,H,U)-xxx



RoHS
Compliant

FEATURES:

- Magnetically shielded with alloy Ferrite core
- High energy storage capacity and low DCR
- Suitable for high currents with low power loss
- High energy storage capacity
- Self-leads, miniaturization design for high density mounting & high current use

APPLICATIONS:

- DC/DC converter; especially for CPUs, memory, FDD & CDR of notebooks, and servers
- Battery power equipment
- Power Supply to the peripheral IC
- Battery Charger
- Power Source circuits, DC/AC inverters, EMI filter, etc.

ELECTRICAL SPECIFICATIONS:

PARAMETERS

ABRACON P/N	ASPI-5123(S,H,U)-xxx
Operating Temperature	-40°C to +80°C
Storage Temperature	-40°C to +80°C
Test Condition	100KHz/0.1V

Electrical Characteristics

Part Number	L (µH)	Tolerance Code	ASPI-5123S (Standard Type)		ASPI-5123H (High Power Type)		ASPI-5123U (Ultra Power Type)	
			DCR Max (mΩ)	Rated DC Current (A)	DCR Max (mΩ)	Rated DC Current (A)	DCR Max (mΩ)	Rated DC Current (A)
ASPI-5123U-R35	0.35	N					1.8	18.5
ASPI-5123U-R80	0.80	N					2.5	16.5
ASPI-5123H-1R0	1.00	M			2.5	16.5		
ASPI-5123U-1R4	1.40	M					3.4	15.5
ASPI-5123S-1R5	1.50	M	2.5	14.0				
ASPI-5123H-1R8	1.80	M			3.4	15.3		
ASPI-5123U-2R2	2.20	M					5.4	12.5
ASPI-5123S-2R5	2.50	M	3.4	10.0				
ASPI-5123H-2R8	2.80	M			5.4	12.3		
ASPI-5123U-3R2	3.20	M					8.0	9.9
ASPI-5123S-4R0	4.00	M	8.0	8.3				
ASPI-5123H-4R0	4.00	M			8.0	9.9		
ASPI-5123U-4R3	4.30	M					11.4	8.2
ASPI-5123H-5R6	5.60	M			11.4	8.2		
ASPI-5123U-5R6	5.60	M					13.5	7.6
ASPI-5123S-6R0	6.00	M	8.0	6.7				
ASPI-5123H-7R2	7.20	M			13.5	7.6		
ASPI-5123S-8R2	8.20	M	11.4	5.8				
ASPI-5123S-100	10.00	M	13.5	5.0				

NOTE:

- *The rated current indicates the current when the inductance decreases to 80% over its nominal value
- * Unless specified, test condition should be Temp=15 ~ 35°C, Humidity=25 ~ 75%
- *Tolerance code: M=±20%; N=±30%

OPTIONS & PART IDENTIFICATION:

(Left blank if standard)

ASPI- 5123 - -

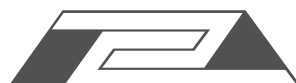
Inductor Type	
S:	Standard Type
H:	High Power Type
U:	Ultra Power Type

Inductance Code	
Please refer to the table on page 2	

Tolerance Code	
M:	±20%
N:	±30%

Packaging	
T:	Tape and Reel

ABRACON IS
ISO9001:2008
CERTIFIED



ABRACON
CORPORATION

Visit www.abracon.com for Terms & Conditions of Sale **Revised: 07.30.10**

30332 Esperanza, Rancho Santa Margarita, California 92688

tel 949-546-8000 | fax 949-546-8001 | www.abracon.com

SMD HIGH CURRENT SHIELDED POWER INDUCTOR



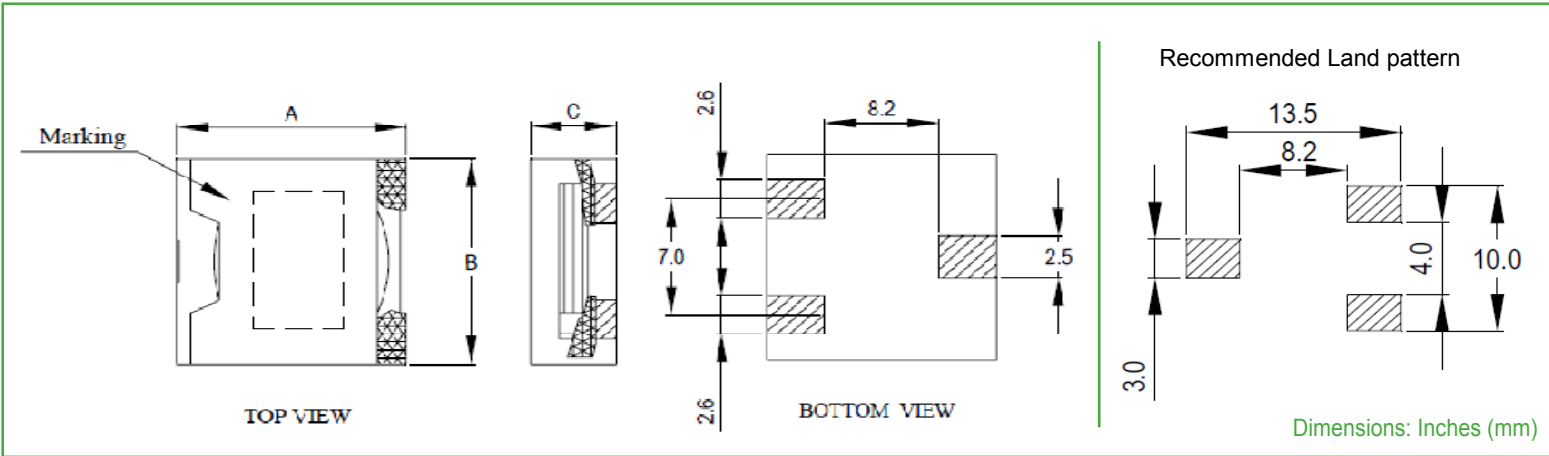
12.9 x 12.9 x 5.8mm

ASPI-5123(S,H,U)-xxx

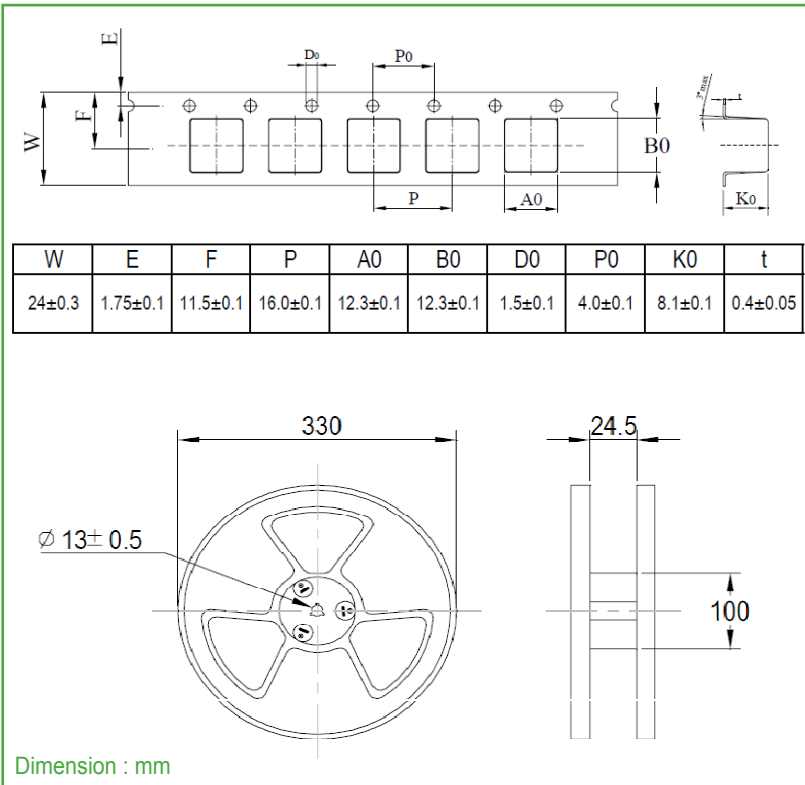


RoHS
Compliant

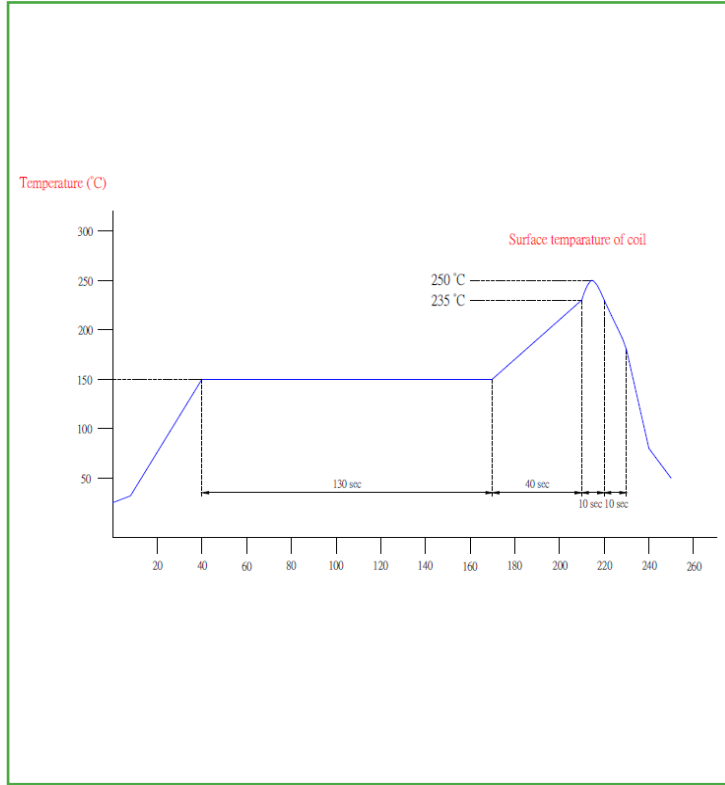
OUTLINE DRAWING:



TAPE & REEL: T = Tape and reel 500pcs/reel



REFLOW PROFILE:



ATTENTION: Abracon Corporation's products are COTS – Commercial-Off-The-Shelf products; suitable for Commercial, Industrial and, where designated, Automotive Applications. Abracon's products are not specifically designed for Military, Aviation, Aerospace, Life-dependant Medical applications or any application requiring high reliability where component failure could result in loss of life and/or property. For applications requiring high reliability and/or presenting an extreme operating environment, written consent and authorization from Abracon Corporation is required. Please contact Abracon Corporation for more information.

ABRACON IS
ISO9001:2008
CERTIFIED



ABRACON
CORPORATION

Visit www.abracon.com for Terms & Conditions of Sale **Revised: 07.30.10**

30332 Esperanza, Rancho Santa Margarita, California 92688

tel 949-546-8000 | fax 949-546-8001 | www.abracon.com