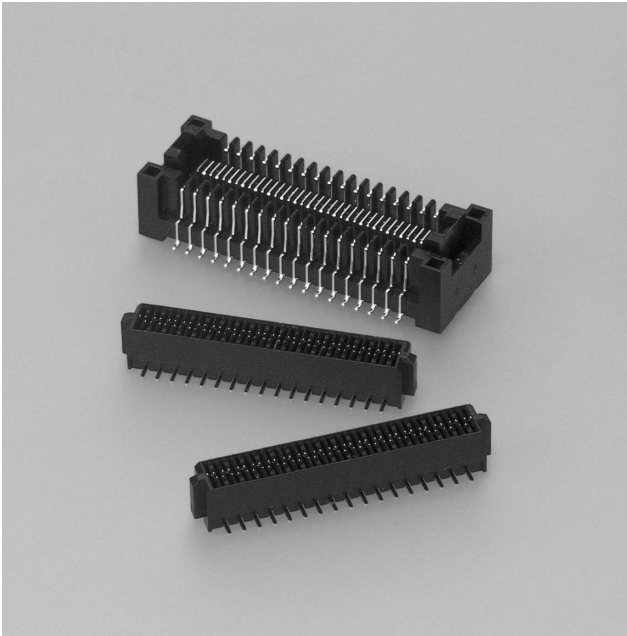
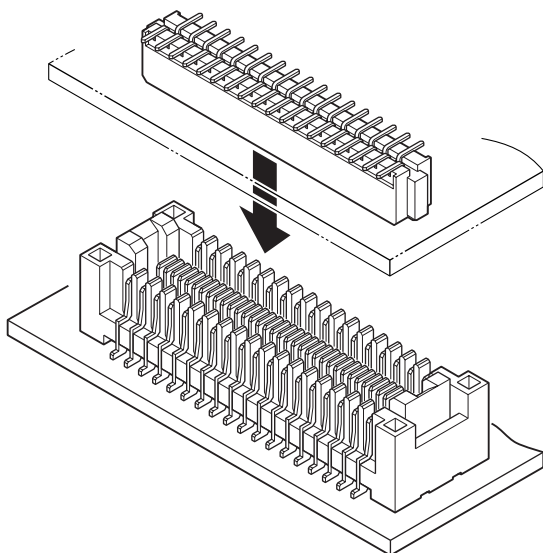


# JFC CONNECTOR

Board-to-board connectors



**This 0.8mm pitch connector is developed for the car audio industry and is able to compensate for misalignment of up to 0.5mm on all three directions of X, Y and Z axes between the plug and receptacle when they are mating.**



## Features

- **0.8mm pitch, 35-circuits and 10.5mm stacking height**

The pitch and circuit number are designed to meet miniaturized multifunctional car audio and navigation equipment.

- **Compensates for misalignment**

To make the assembly process at customers' site easier, misalignment of 0.5mm on X, Y and Z axes will be compensated for.

- **Realized current rating of 1.3 Amps**

Realized 1.3A of current rating by having selected a high conductivity material for the contact.

- **Applicable to automatic surface mounting technology**

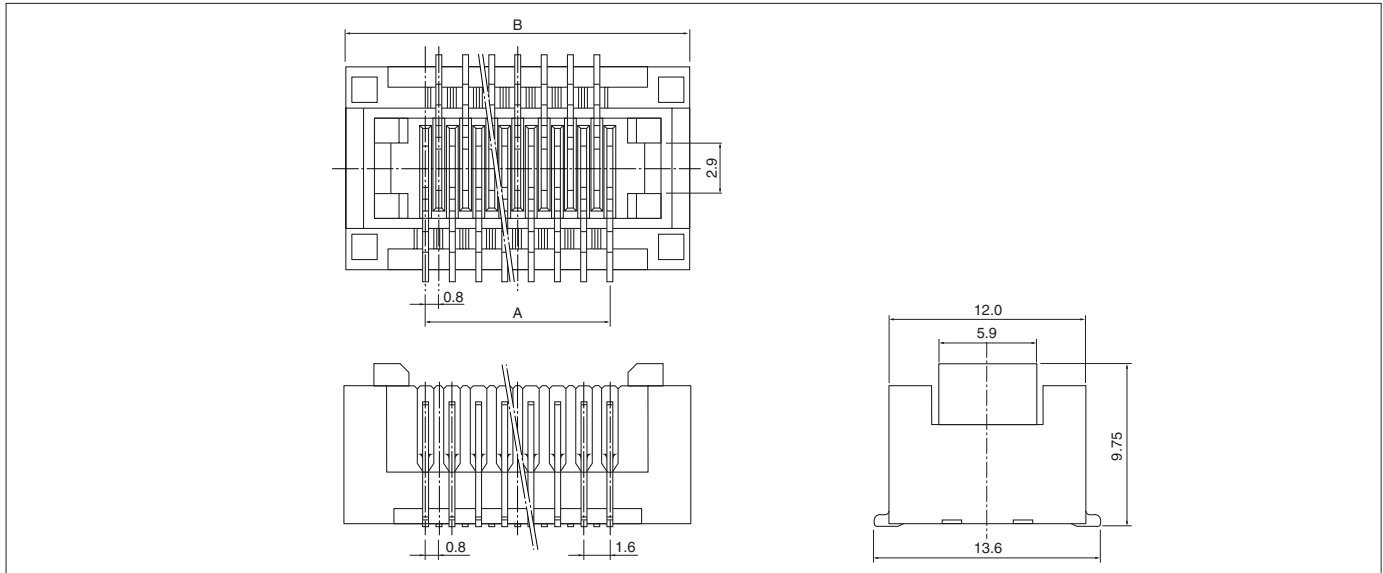
By providing a suction cap on the plug this embossed tape packaging connector series is applicable to automatic surface mounting.

## Specifications

- Current rating: 1.3A AC, DC
- Voltage rating: 125V AC, DC
- Temperature range: -40°C to +85°C  
(including temperature rise in applying electrical current)
- Contact resistance: Initial value/50m Ω max.  
After environmental testing/30m Ω max.  
(variation from initial value)
- Insulation resistance: 500M Ω min.
- Withstanding voltage: 500V AC/minute
- \* Compliant with RoHS.
- \* Refer to "General Instruction and Notice when using Terminals and Connectors" at the end of this catalog.
- \* Contact JST for details.

# JFC CONNECTOR

## Plug



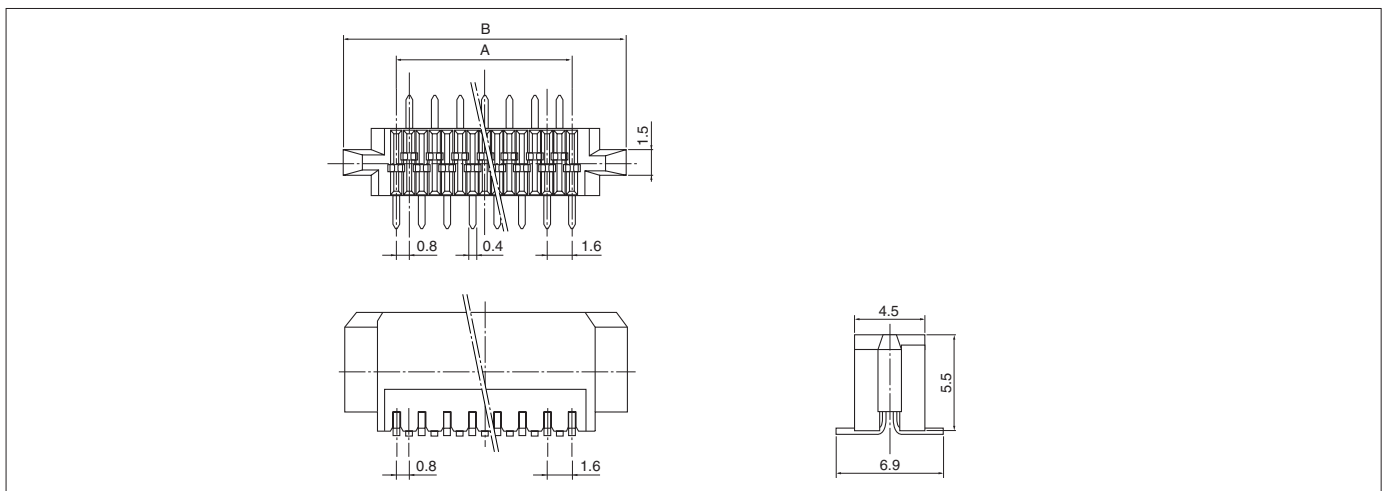
Circuits	Model No.	Dimensions (mm)		Q'ty / reel
		A	B	
35	<b>35P-0.8JFCK-TF</b>	27.2	36.9	400

### Material and Finish

Contact: Copper alloy, copper-undercoated, tin-plated (reflow treatment)  
Housing: Heat resisting resin, UL94V-0  
Cap: Heat resisting resin, UL94V-0

**RoHS compliance** This product displays (LF)(SN) on a label.

## Receptacle



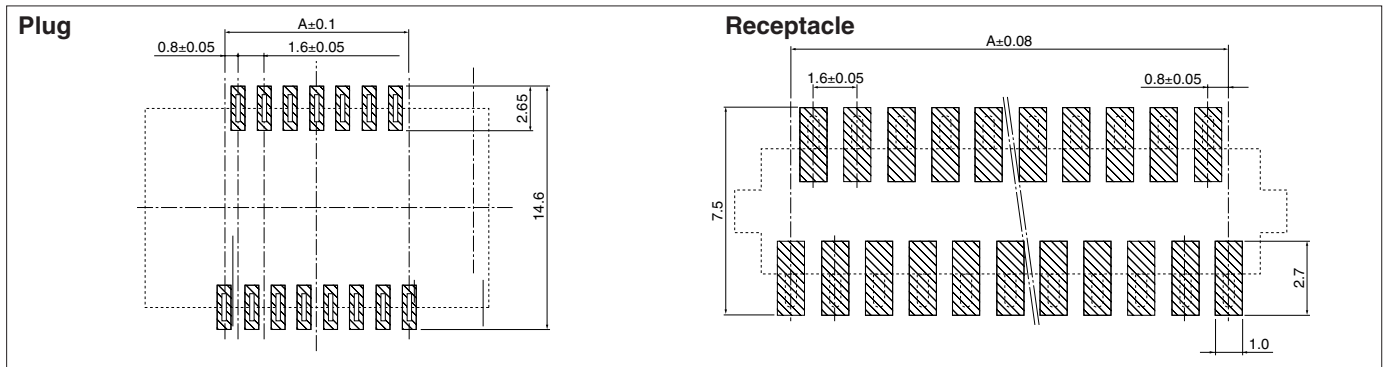
Circuits	Model No.	Dimensions (mm)		Q'ty / reel
		A	B	
35	<b>35R-0.8JFCK-TF</b>	27.2	31.4	1,000

### Material and Finish

Contact: Copper alloy, copper-undercoated, tin-plated (reflow treatment)  
Housing: Heat resisting resin, UL94V-0

**RoHS compliance** This product displays (LF)(SN) on a label.

## PC board layout (viewed from component side)



## Assembly layout

