

Two-Piece Sealed Circular Plastic Connectors, Series 6

**CPC Connectors, Series 6
Sealed - Reverse Sex**



Listed part numbers are for connectors only; **contacts must be ordered separately.**

Material

Housing—Nylon, glass-filled UL rated 94V-0, black

Related Product Data

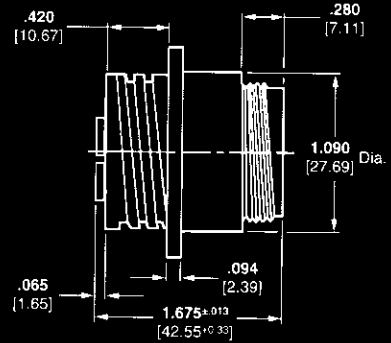
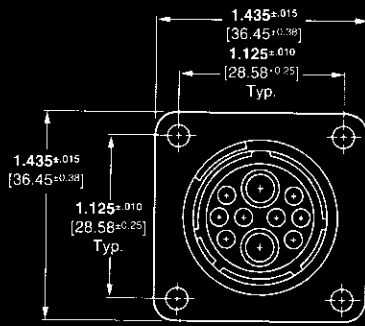
Contacts—Pages 16-20 and 46

Accessories—Page 50

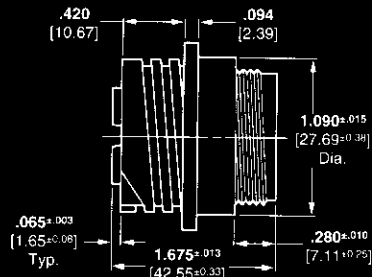
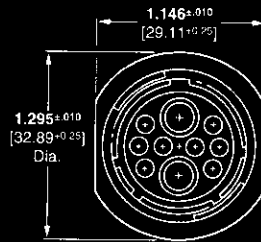
Application Tooling—Pages 75-78

Technical Documents—Page 79

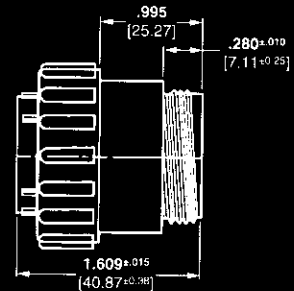
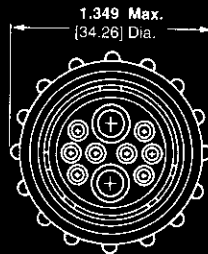
Square Flange Receptacle (Uses Flange Seal Part No. 81665-2 on page 50)



Free-Hanging Receptacle



Plug



Replacement Coupling Ring

Shell Size	Part No.
17-10	213810-1

Reverse Sex (Receptacles accept socket contacts, Plugs accept pin contacts)

Arrangement	Square Flange Receptacle	Free-Hanging Receptacle	Plug
17-10 Connector	213893-2	213894-2	213906-1
17-10 Wire Entry Seal Kit	213900-1	213900-1	213900-1

Kit includes (1) Silicon Wire Entry Seal and (1) Pressure Plate.
*Wire entry seals require cable clamp kits.

Wire Entry Seal*

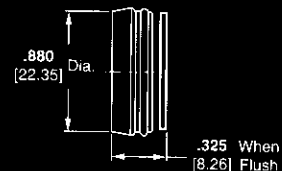
*Cable clamp kit 213902-1 required. (Similar to 206322-1. See page 37 for dimensional detail of cable clamp) or cable clamp kit 213904-1. (Similar to 206070-1. See page 37 for dimensional detail of cable clamp).



Rear View Receptacles



Rear View Plugs



Side View Plugs/Receptacles

Note: Minimum insulation diameter is .156 [3.96]; maximum insulation diameter is .260 [6.60] for power contacts. Minimum insulation diameter is .060 [1.50]; maximum insulation diameter is .130 [3.30] for signal contacts.