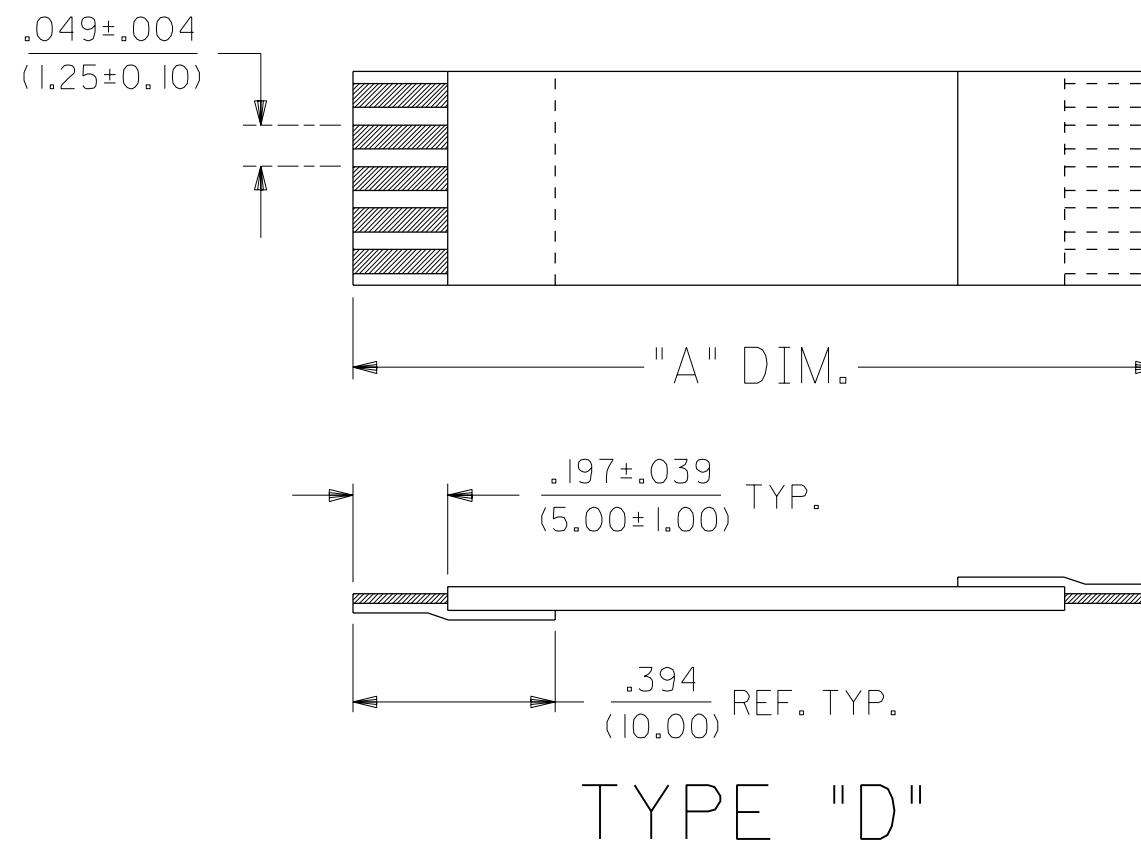
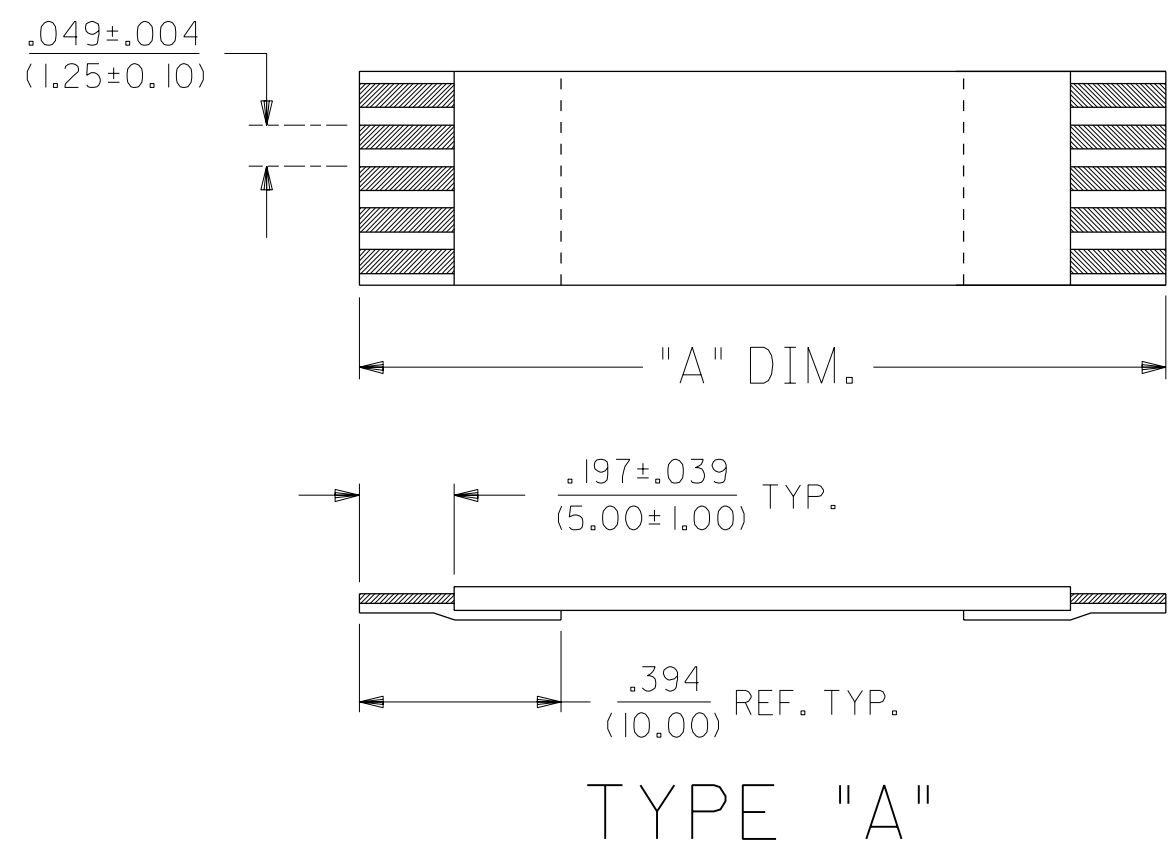


1.25MM CENTER FFC JUMPER CABLE (LOW TEMPERATURE) CHART

"A" DIM.	1.18±.079 INCHES 30.00±2.00 MM		2.00±.079 INCHES 51.00±2.00 MM		3.00±.079 INCHES 76.00±2.00 MM		4.00±.118 INCHES 102.00±3.00 MM		5.00±.157 INCHES 127.00±4.00 MM		6.00±.157 INCHES 152.00±4.00 MM		7.00±.157 INCHES 178.00±4.00 MM		8.00±.157 INCHES 203.00±4.00 MM		9.00±.197 INCHES 229.00±5.00 MM		10.00±.197 INCHES 254.00±5.00 MM		12.00±.197 INCHES 305.00±5.00 MM	
BACKER	TYPE "A"	TYPE "D"	TYPE "A"	TYPE "D"	TYPE "A"	TYPE "D"	TYPE "A"	TYPE "D"	TYPE "A"	TYPE "D"	TYPE "A"	TYPE "D"	TYPE "A"	TYPE "D"	TYPE "A"	TYPE "D"	TYPE "A"	TYPE "D"	TYPE "A"	TYPE "D"	TYPE "A"	TYPE "D"
CKTS: 6	210490101	210490102	210490103	210490104	210490105	210490106	210490107	210490108	210490109	210490110	210490111	210490112	210490113	210490114	210490115	210490116	210490117	210490118	210490119	210490120	210490121	210490122
CKTS: 8	210490123	210490124	210490125	210490126	210490127	210490128	210490129	210490130	210490131	210490132	210490133	210490134	210490135	210490136	210490137	210490138	210490139	210490140	210490141	210490142	210490143	210490144
CKTS: 10	210490145	210490146	210490147	210490148	210490149	210490150	210490151	210490152	210490153	210490154	210490155	210490156	210490157	210490158	210490159	210490160	210490161	210490162	210490163	210490164	210490165	210490166
CKTS: 12	210490167	210490168	210490169	210490170	210490171	210490172	210490173	210490174	210490175	210490176	210490177	210490178	210490179	210490180	210490181	210490182	210490183	210490184	210490185	210490186	210490187	210490188
CKTS: 14	210490189	210490190	210490191	210490192	210490193	210490194	210490195	210490196	210490197	210490198	210490199	210490200	210490201	210490202	210490203	210490204	210490205	210490206	210490207	210490208	210490209	210490210
CKTS: 16	210490211	210490212	210490213	210490214	210490215	210490216	210490217	210490218	210490219	210490220	210490221	210490222	210490223	210490224	210490225	210490226	210490227	210490228	210490229	210490230	210490231	210490232
CKTS: 18	210490233	210490234	210490235	210490236	210490237	210490238	210490239	210490240	210490241	210490242	210490243	210490244	210490245	210490246	210490247	210490248	210490249	210490250	210490251	210490252	210490253	210490254
CKTS: 20	210490255	210490256	210490257	210490258	210490259	210490260	210490261	210490262	210490263	210490264	210490265	210490266	210490267	210490268	210490269	210490270	210490271	210490272	210490273	210490274	210490275	210490276
CKTS: 22	210490277	210490278	210490279	210490280	210490281	210490282	210490283	210490284	210490285	210490286	210490287	210490288	210490289	210490290	210490291	210490292	210490293	210490294	210490295	210490296	210490297	210490298
CKTS: 24	210490299	210490300	210490301	210490302	210490303	210490304	210490305	210490306	210490307	210490308	210490309	210490310	210490311	210490312	210490313	210490314	210490315	210490316	210490317	210490318	210490319	210490320
CKTS: 26	210490321	210490322	210490323	210490324	210490325	210490326	210490327	210490328	210490329	210490330	210490331	210490332	210490333	210490334	210490335	210490336	210490337	210490338	210490339	210490340	210490341	210490342
CKTS: 28	210490343	210490344	210490345	210490346	210490347	210490348	210490349	210490350	210490351	210490352	210490353	210490354	210490355	210490356	210490357	210490358	210490359	210490360	210490361	210490362	210490363	210490364
CKTS: 30	210490365	210490366	210490367	210490368	210490369	210490370	210490371	210490372	210490373	210490374	210490375	210490376	210490377	210490378	210490379	210490380	210490381	210490382	210490383	210490384	210490385	210490386
CKTS: 32	210490387	210490388	210490389	210490390	210490391	210490392	210490393	210490394	210490395	210490396	210490397	210490398	210490399	210490400	210490401	210490402	210490403	210490404	210490405	210490406	210490407	210490408
CKTS: 34	210490409	210490410	210490411	210490412	210490413	210490414	210490415	210490416	210490417	210490418	210490419	210490420	210490421	210490422	210490423	210490424	210490425	210490426	210490427	210490428	210490429	210490430
CKTS: 36	210490431	210490432	210490433	210490434	210490435	210490436	210490437	210490438	210490439	210490440	210490441	210490442	210490443	210490444	210490445	210490446	210490447	210490448	210490449	210490450	210490451	210490452
CKTS: 38	210490453	210490454	210490455	210490456	210490457	210490458	210490459	210490460	210490461	210490462	210490463	210490464	210490465	210490466	210490467	210490468	210490469	210490470	210490471	210490472	210490473	210490474
CKTS: 40	210490475	210490476	210490477	210490478	210490479	210490480	210490481	210490482	210490483	210490484	210490485	210490486	210490487	210490488	210490489	210490490	210490491	210490492	210490493	210490494	210490495	210490496



NOTES:

1. NO PRINTING ON JUMPER CABLE UNLESS OTHERWISE SPECIFIED. IF PRINTING IS REQUIRED THEN IT WOULD BE CONSIDERED A SPECIAL JUMPER CABLE.

EC NO. UAU2001-0024 DRW: DEMEO 00/07/026 CHK: PREMO 00/07/26 APPR: GEIB 00/07/26	QUALITY SYMBOLS MAJOR = 0 CRITICAL = 0	GENERAL TOLERANCES: (UNLESS SPECIFIED)		SCALE: N/A	DESIGN UNITS: <input type="checkbox"/> mm <input checked="" type="checkbox"/> INCH	THIRD ANGLE PROJECTION: <input checked="" type="checkbox"/>	DIMENSIONS: <input type="checkbox"/> mm <input checked="" type="checkbox"/> INCH <input type="checkbox"/> mm ONLY	SHT	REV
		4 PLACES	±0.	±.	DRAWN BY & DATE: DEMEO 99/02/19	TITLE: 1.25MM CENTER FFC JUMPER CABLE (LOW TEMPERATURE) CHART			
		3 PLACES	±0.	±.	CHECKED BY & DATE: PREMO 99/02/26	MOLEX INCORPORATED			
		2 PLACES	±0.	±.	APPROVED BY & DATE: RAYMER 99/02/26	CAD FILENAME: E-21049-001.SOI	MATERIAL NO. SEE CHART	DRAWING NO. E-21049-001	SHEET NO. 1 OF 1
ANGULAR: ± °		DRAFT WHERE APPLICABLE MUST REMAIN WITHIN DIMENSIONS		THIS DRAWING CONTAINS INFORMATION THAT IS PROPRIETARY TO MOLEX INCORPORATED AND SHOULD NOT BE USED WITHOUT WRITTEN PERMISSION.					SIZE C