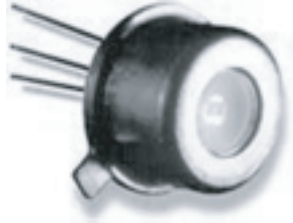


High Performance InGaAs p-i-n Photodiode

Sheet 1 of 3

13PD150-T0

The 13PD150-T0, an InGaAs photodiode with a 150 μ m-diameter photosensitive region and packaged in a TO-46 header, is intended for moderate-to-high speed applications. Efficient coupling to multi-mode fiber in active device receptacles is enabled by the relatively large active area. Planar semiconductor design and dielectric passivation provide superior low noise performance. Reliability is assured by hermetic sealing and 100% purge burn-in (200°C, 15 hours, Vr = 20V). Headers are available with either a lensed or flat window cap. Chips can also be attached and wire bonded to customer-supplied or other specified packages.



Features:

- Planar Structure
- Dielectric Passivation
- 100% Purge Burn-in
- High Responsivity

DEVICE CHARACTERISTICS

Parameters	Test Conditions	Minimum	Typical	Maximum	Units
Operating Voltage				-15	Volts
Dark Current	-5V		0.5	2.5	nA
Capacitance	-5V		1.25	225	pF
Responsivity	1300nm	0.7	0.9		A/W
Rise/Fall				0.5	ns

ABSOLUTE MAXIMUM RATINGS

Reverse Voltage	20 Volts
Forward Current	5mA
Reverse Current	1mA
Operating Temperature	-40°C to +85°C
Storage Temperature	-40°C to +85°C
Soldering Temperature	250°C

Sheet 1 of 3

829 Flynn Road, Camarillo, CA 93012 • Phone: (805) 445-4500 • Fax: (805) 445-4502
Email: customerservice@telcomdevices.com • Website: www.telcomdevices.com

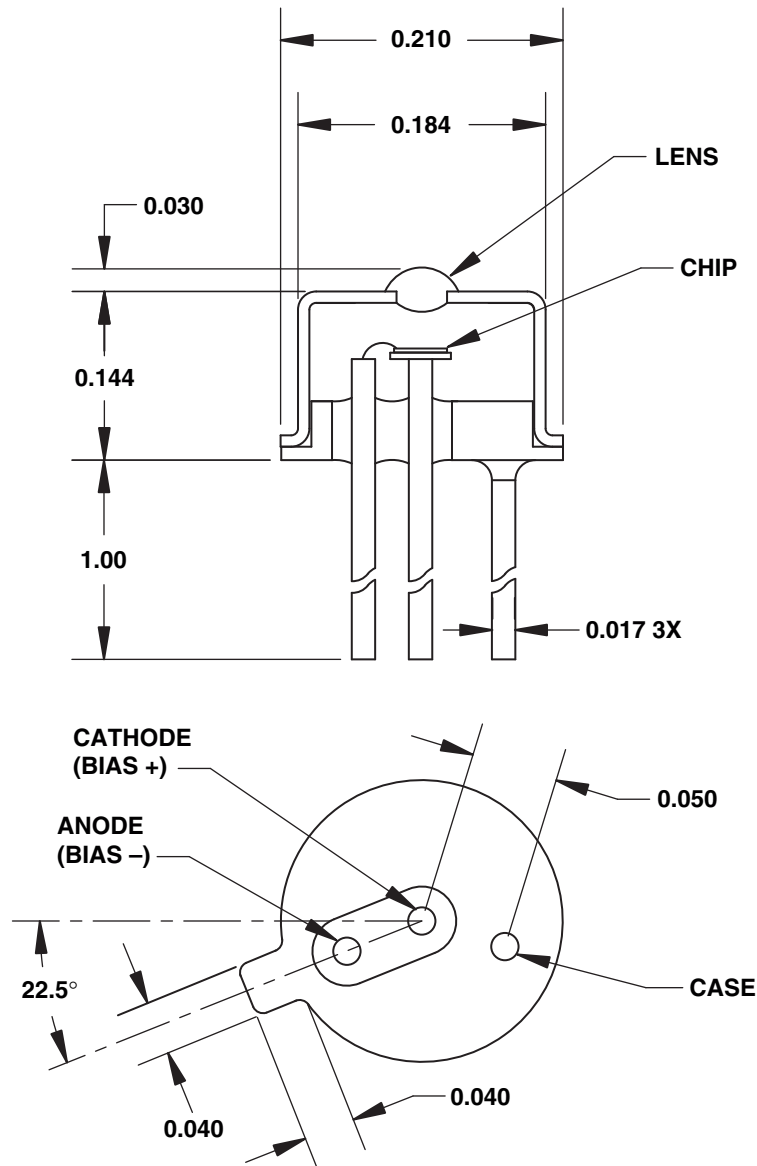


Telcom Devices Corp.

Mechanical Specifications TO-46 Header Packages

Sheet 2 of 3

Standard TO-46 Lens



Custom packaging is also available.

Sheet 2 of 3

829 Flynn Road, Camarillo, CA 93012 • Phone: (805) 445-4500 • Fax: (805) 445-4502
Email: customerservice@telcomdevices.com • Website: www.telcomdevices.com

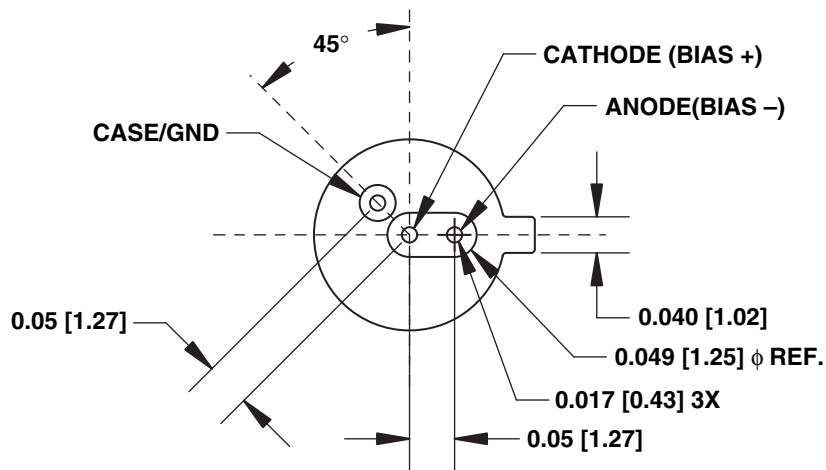
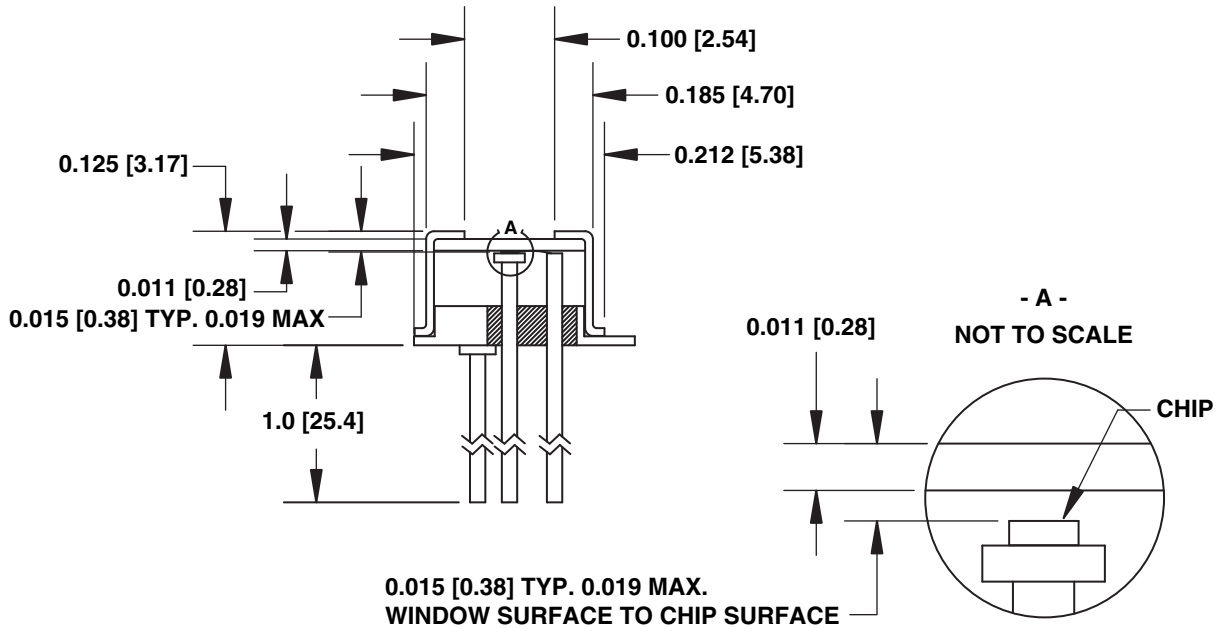


Mechanical Specifications

TO-46 Header Packages

Sheet 3 of 3

TO-46 Ultra Flat Window



Custom packaging is also available.

Sheet 3 of 3

829 Flynn Road, Camarillo, CA 93012 • Phone: (805) 445-4500 • Fax: (805) 445-4502
Email: customerservice@telcomdevices.com • Website: www.telcomdevices.com

