

**PLEASE CHECK WWW.MOLEX.COM FOR LATEST PART INFORMATION**

**Part Number:** [0190100031](#)  
**Status:** **Active**  
**Description:** Krimptite™ Piggyback Quick Disconnect, Tab 6.35mm (.250") by 0.81mm (.032"), 18-22 AWG

**Documents:**

[Drawing \(PDF\)](#)

[RoHS Certificate of Compliance \(PDF\)](#)

**General**

Product Family	Quick Disconnects
Series	<a href="#">19010</a>
Crimp Quality Equipment	Yes
Product Name	Krimptite™
Type	Quick Disconnect

**Physical**

Barrel Type	Closed
Gender	Female
Glow-Wire Compliant	No
Insulation	None
Lock to Mating Part	No
Orientation	Straight
Packaging Type	Adhesive Tape on Reel
Polarized to Mating Part	Yes
Tab Thickness	0.81mm (.032")
Tab Width	6.35mm (.250")
Temperature Range - Operating	149°C
Wire Insulation Diameter	2.79mm (.110") max.
Wire Size AWG	18, 20, 22
Wire Size mm²	0.35 - 0.80

**Electrical**

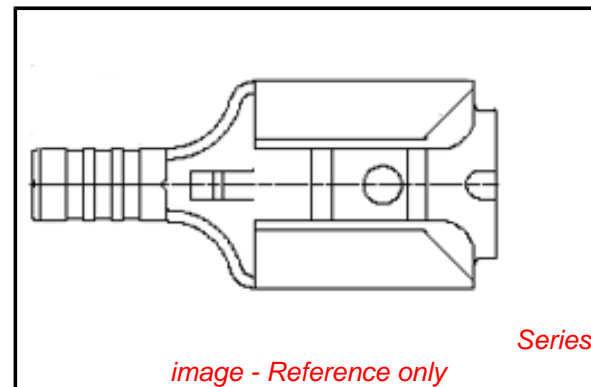
Voltage - Maximum	N/A
-------------------	-----

**Material Info**

Old Part Number	AA-1301T
-----------------	----------

**Reference - Drawing Numbers**

Sales Drawing	SD-19010-001
---------------	--------------



**EU RoHS**

**ELV and RoHS Compliant**  
**REACH SVHC Contains SVHC: No**  
**Halogen-Free Status**  
**Not Reviewed**

**China RoHS**



**Need more information on product environmental compliance?**

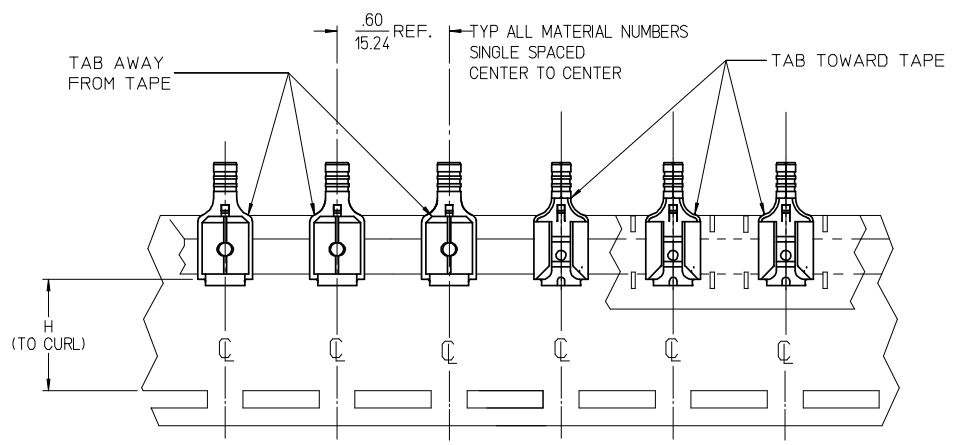
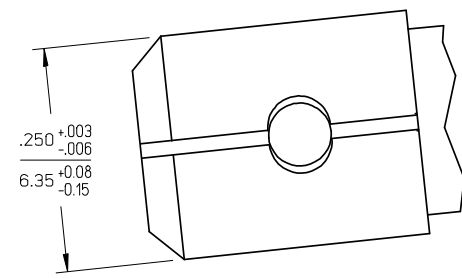
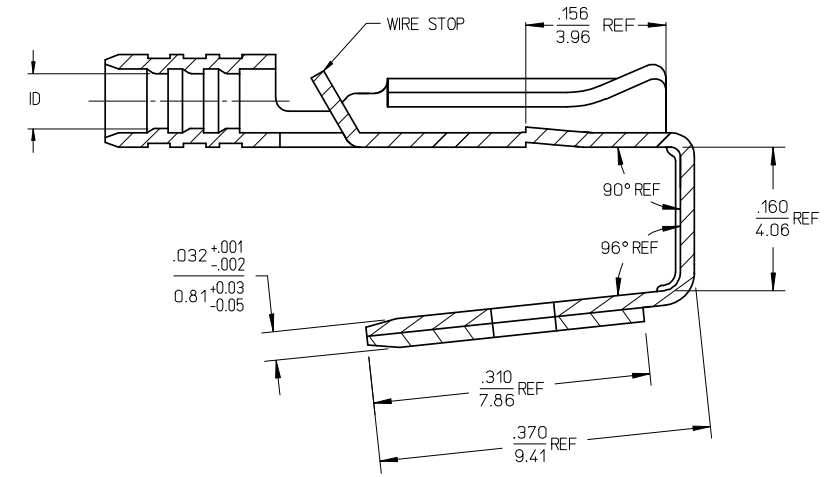
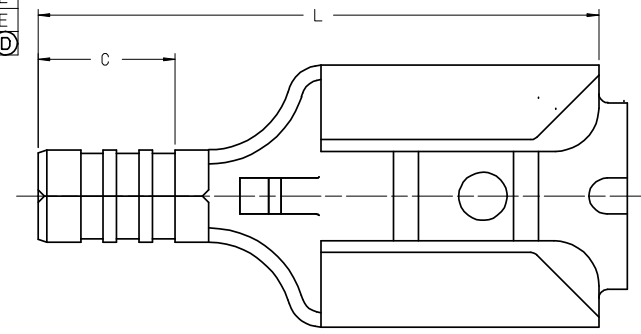
Email [productcompliance@molex.com](mailto:productcompliance@molex.com)  
 For a multiple part number RoHS Certificate of Compliance, [click here](#)

Please visit the [Contact Us](#) section for any non-product compliance questions.

**Search Parts in this Series**

[19010Series](#)

MATERIAL NO. LOOSE PC	ENGINEERING NO. LOOSE PC	MATERIAL NO. ON TAPE	ENGINEERING NO. ON TAPE	WIRE SIZE	ID MINIMUM	C ±.015/0.38	L ±.030/0.76	H NOMINAL	BARE TAB POSITION
190100027	AA-1301	190100031	AA-1301T	22-18 AWG	.055/1.40	.190/4.83	.625/15.88	.540/13.72	AWAY FROM TAPE
190100028	BB-1302	190100032	BB-1302T	16-14 AWG	.080/2.03	.190/4.83	.625/15.88	.540/13.72	AWAY FROM TAPE
190100029	C-1303	190100033	C-1303T	12-10 AWG	.169/4.29	.254/6.45	.685/17.40	.565/14.35	TOWARD TAPE



PARTS ON TAPE (SCALE 2:1)

- NOTES:
1. TERMINAL MATERIAL: BRASS
  2. TERMINAL FINISH: TIN PLATED
  3. PART IS ROHS COMPLIANT.

<b>TAPE ORIENTATION</b> EC NO: WNA 2008-0032 DRAWN: ETHRODAHL 2008/02/14 CHKD: JMACNEIL 2008/03/11 APPR: JMACNEIL 2008/03/11	<b>QUALITY SYMBOLS</b> ▽=0 ▽=0	<b>GENERAL TOLERANCES (UNLESS SPECIFIED)</b>		<b>DIMENSION STYLE</b> IN/MM		<b>SCALE</b> 10:1	<b>DESIGN UNITS</b> INCH	THIRD ANGLE PROJECTION
		4 PLACES ± --- ± --- 3 PLACES ± --- ± .005 2 PLACES ± 0.13 ± .01 1 PLACE ± 0.25 ± --- ANGULAR ± 1/2°	mm INCH ± --- ± --- ± .01 ± --- ± ---	DRAWN BY JH	DATE 1996/03/19	<b>TITLE</b> PIGGYBACK QD, .250 X .032 TAB, KRIMPTITE		
DRAFT WHERE APPLICABLE MUST REMAIN WITHIN DIMENSIONS		SEE CHART		APPROVED BY RWD	DATE 1996/03/19	<b>MOLEX INCORPORATED</b>		
REV		MATERIAL NO.		DOCUMENT NO.		SHEET NO.		1 OF 1