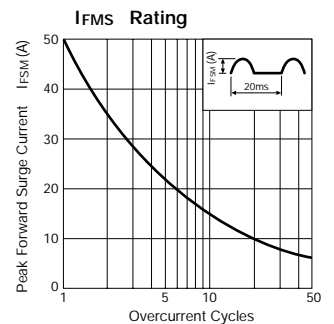


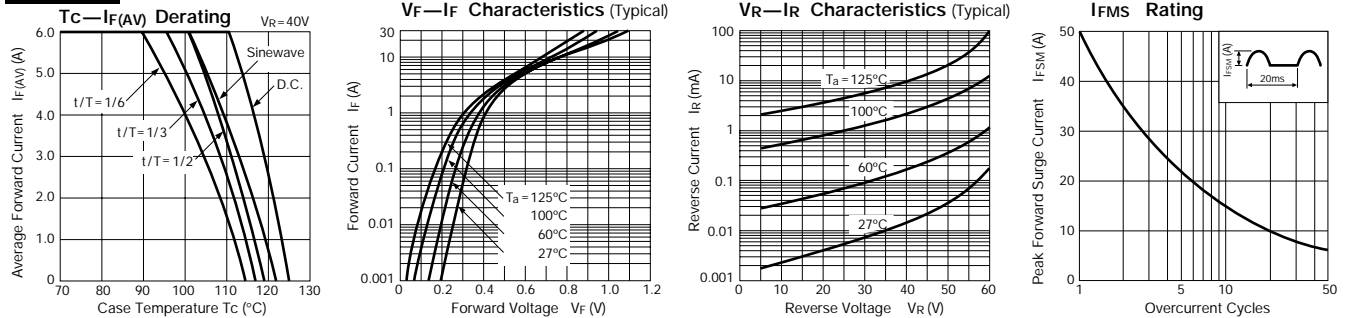
Schottky Barrier Diodes (Power Surface Mount) 30V, 40V, 60V

Parameter Type No.	Absolute Maximum Ratings					Electrical Characteristics (Ta=25°C)						Others									
	VRM (V)	IF(AV) (A)	IFSM (A) 50Hz Half-cycle Sinewave Single Shot	Tj (°C)	Tstg (°C)	VF (V) max per element	IR (mA) VR=VRM max per element	IR(H) (mA) VR=VRM, Ta=100°C max per element	trr (ns)	If/IRP (mA)	Rth(j-c) (°C/W)	Mass (g)	Remarks	Fig.							
SPJ-63S	30	6.0	50	-40 to +150		0.45	3.0	30 (Tj=125°C)	—	—	5.0	0.29	Center-tap	Ⓐ							
SPB-64S	40	6.0				0.55									3.5	50	100/100	5.0	1.04	Center-tap	
SPB-G34S		3.0	0.6			7.5	0.75	50 (Tj=150°C)	2.5	1.04			Center-tap								
SPB-G54S		5.0	60			0.7	5.0	3.0							50						100/100
MPE-24H		15.0	100																		
SPB-G56S	60	6.0	60																		

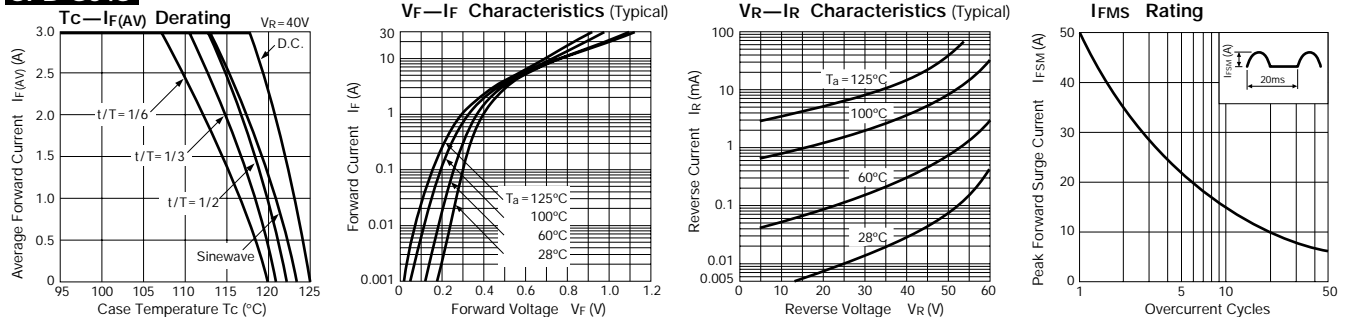
SPJ-63S



SPB-64S

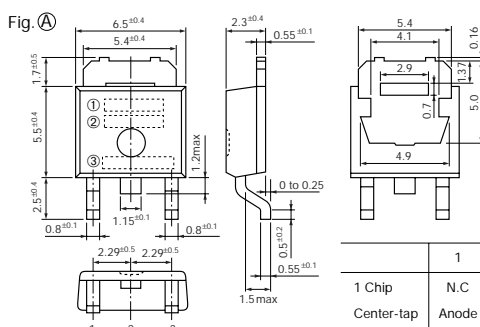


SPB-G34S



External Dimensions (Unit: mm)

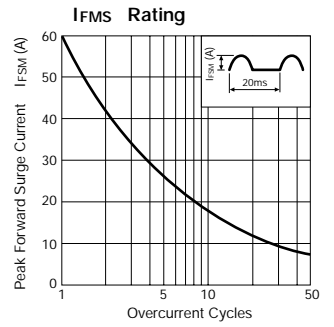
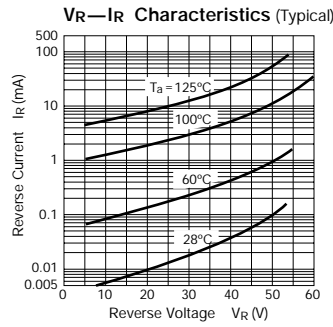
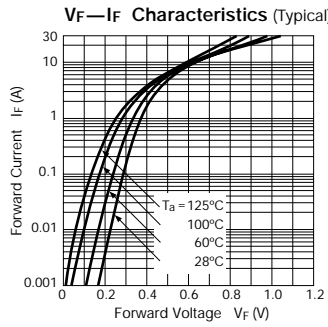
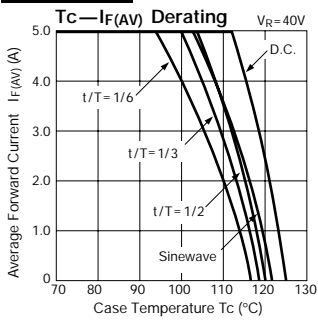
Flammability:
UL94V-0 or Equivalent



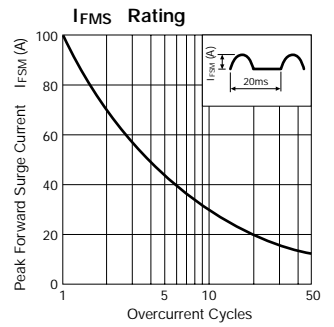
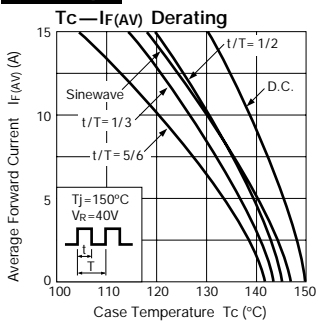
① Type No.
② Polarity
③ Lot No.

	1	2 (Common to backside of case)	3
1 Chip	N.C.	Cathode	Anode
Center-tap	Anode	Cathode (Common)	Anode

SPB-G54S



MPE-24H



SPB-G56S

