

4-4-1 1 Chip

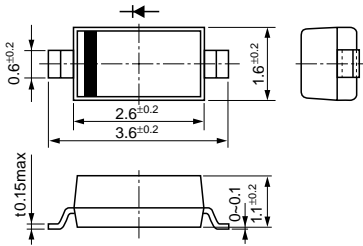
Part No.	V _{RM} (V)	I _O (A)	V _F (V)	I _R (mA)	Package	Fig. No.	
SFPA-53	30	1.0	0.36	1.5	Surface mount (SFP)	2	
EA 03			0.36	1.5	Axial(E0)	5	
MI2A3*			0.39	2.0	Surface mount (Compact)	1	
SFPJ-53			0.45	1.0	Surface mount (SFP)	2	
MI1A3			0.47	1.0	Surface mount (Compact)	1	
AK 03			0.55	1.0	Axial(A0)	4	
EK 03			0.55	5.0	Axial(E0)	5	
EK 13			1.5	0.55	5.0	Axial(E1)	6
RK 13			1.7	0.55	5.0	Axial(R1)	7
SFPA-63			2.0	0.36	3.0	Surface mount (SFP)	2
RA 13		0.36		3.0	Axial(R1)	7	
SFPJ-63		0.45		2.0	Surface mount (SFP)	2	
SFPE-63*		0.55		0.2			
RK 33		2.5		0.55	5.0	Axial(R2)	8
SFPA-73		3.0		0.36	4.5	Surface mount (SFP)	2
SFPJ-73				0.45	3.0		
RJ 43				0.45	3.0	Axial(R4)	9
RK 43				0.55	5.0		
SPJ-G53S		5.0		0.45	5.0	Surface mount (D pack)	3
SFPB-54		40	1.0	0.55	1.0	Surface mount (SFP)	2
AK 04				0.55	1.0	Axial(A0)	4
EK 04				0.55	5.0	Axial(E0)	5
AE 04*				0.6	0.1	Axial(A0)	4
AW 04				0.58	5.0	Axial(A0)	4
SFPB-64			1.5	0.55	5.0	Surface mount (SFP)	2
EK 14				0.55	5.0	Axial(E1)	6
RK 14			1.7	0.55	5.0	Axial(R1)	7
SFPB-74			2.0	0.50	5.0	Surface mount (SFP)	2
SFPE-64				0.60	0.2		
EE 04*			2.5	0.6	0.2	Axial(E0)	5
RK 34	0.55			5.0	Axial(R2)	8	
SPB-G34S	3.0		0.55	3.5	Surface mount (D pack)	3	
RK 44			0.55	5.0	Axial(R4)	9	
FMB-G14			0.60	5.0	TO-220F-2Pin	10	
SPB-G54S	5.0		0.55	5.0	Surface mount (D pack)	3	
FMB-G14L			0.55	5.0			
FMB-G24H	10		0.55	10	TO-220F-2Pin	10	

* Under Development

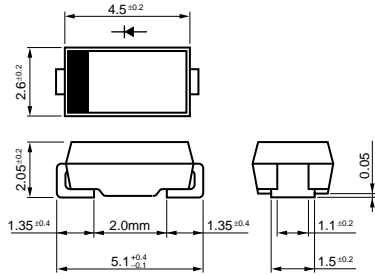
Part No.	V _{RM} (V)	I _O (A)	V _F (V)	I _R (mA)	Package	Fig. No.	
SFPB-56	60	0.7	0.62	1.0	Surface mount (SFP)	2	
AK 06			0.62	1.0	Axial(A0)	4	
EK 06			0.62	1.0	Axial(E0)	5	
SFPW-56		1.5	0.7	1.0	Surface mount (SFP)	2	
EK 16			0.62	1.0	Axial(E1)	6	
RK 16			0.62	1.0	Axial(R1)	7	
SFPB-76		2.0	0.62	2.0	Surface mount (SFP)	2	
RK 36			0.62	2.0	Axial(R2)	8	
SFPB-66			0.69	1.0	Surface mount (SFP)	2	
RK 46			3.5	0.62	3.0	Axial(R4)	9
FMB-G16L		5.0	0.62	5.0	TO-220F-2Pin	10	
SPB-G56S		6.0	0.70		Surface mount (D pack)	3	
SFPB-59		90	0.7	0.81	1.0	Surface mount (SFP)	2
AK 09				0.81	1.0	Axial(A0)	4
EK 09				0.81	1.0	Axial(E0)	5
SFPB-69			1.5	0.81	2.0	Surface mount (SFP)	2
EK 19				0.81	2.0	Axial(E1)	6
RK 19				0.81	2.0	Axial(R1)	7
RK 39				2.0	0.81	3.0	Axial(R2)
RK 49			3.5	0.81	5.0	Axial(R4)	9
FMB-G19L	4.0		0.81	5.0	TO-220F-2Pin	10	

External Dimensions

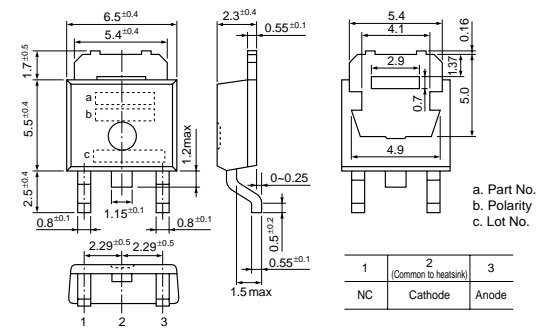
• No. 1 Surface Mount (SOT23)



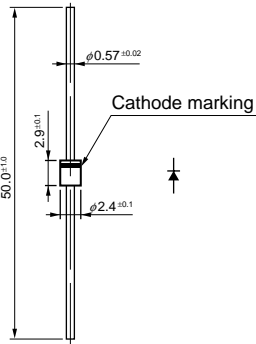
• No. 2 Surface Mount (SFP)



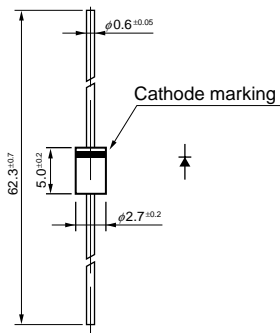
• No. 3 Surface Mount (D pack)



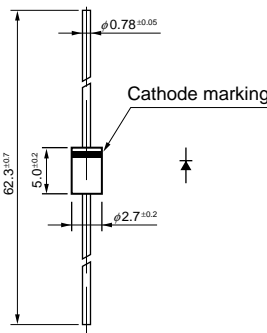
• No. 4 Axial (A0)



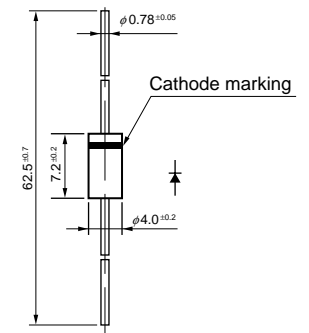
• No. 5 Axial (E0)



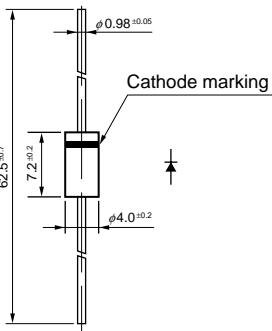
• No. 6 Axial (E1)



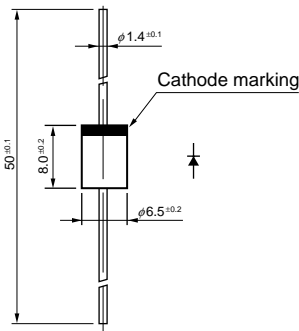
• No. 7 Axial (R1)



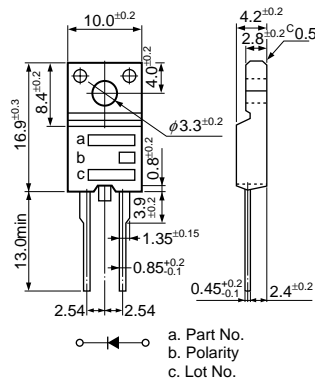
• No. 8 Axial (R2)



• No. 9 Axial (R4)



• No. 10 (TO-220F-2 Pin)



(unit: mm)