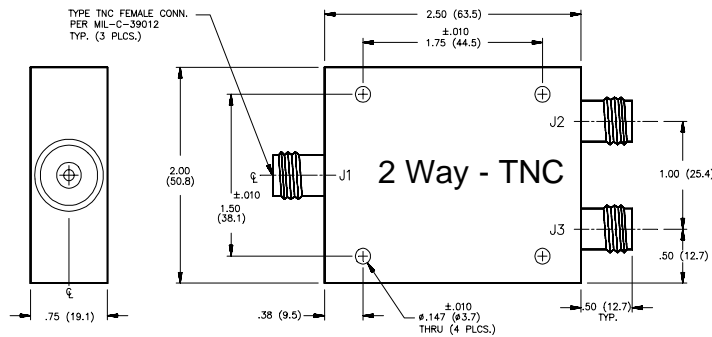
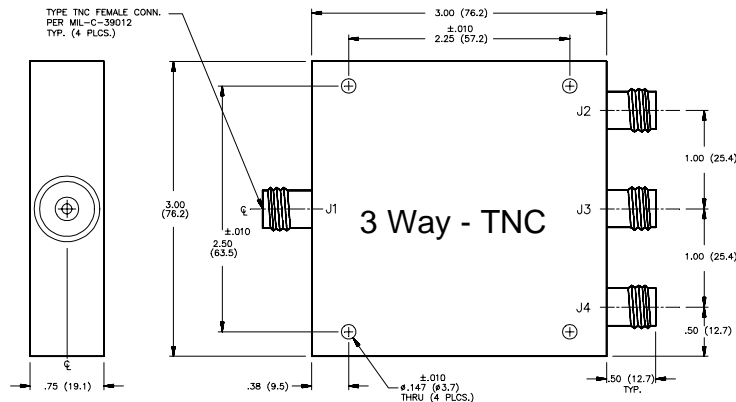


## 2 & 3 Way - TNC Connector Interfaces

- Wireless Frequency Bands
- PCS and Cellular applications
- Excellent Phase and Amplitude Tracking
- Low VSWR - High Isolation



Frequency Range (MHz)	Model Number	Amplitude Balance (dB)	Phase Balance (deg)	Insertion Loss (dB)max	Isolation (dB)min	VSWR (max)	Input Power (W)max
800 - 900	<a href="#">PDW-8090-02-TNC-05</a>	0.2	± 3.0	0.25	20	1.20	10.0
800 - 960	<a href="#">PDW-8096-02-TNC-05</a>	0.2	± 3.0	0.25	20	1.20	10.0
890 - 960	<a href="#">PDW-8996-02-TNC-05</a>	0.2	± 3.0	0.25	20	1.20	10.0
1429 - 1501	<a href="#">PDW-1415-02-TNC-05</a>	0.2	± 3.0	0.30	20	1.20	10.0
1700 - 1990	<a href="#">PDW-1719-02-TNC-05</a>	0.2	± 5.0	0.30	20	1.20	10.0
2400 - 2500	<a href="#">PDW-2425-02-TNC-05</a>	0.2	± 5.0	0.35	20	1.20	10.0



Frequency Range (MHz)	Model Number	Amplitude Balance (dB)	Phase Balance (deg)	Insertion Loss (dB)max	Isolation (dB)min	VSWR (max)	Input Power (W)max
800 - 900	<a href="#">PDW-8090-03-TNC-05</a>	0.3	± 5.0	0.30	20	1.30	10.0
800 - 960	<a href="#">PDW-8096-03-TNC-05</a>	0.3	± 5.0	0.30	20	1.30	10.0
890 - 960	<a href="#">PDW-8996-03-TNC-05</a>	0.3	± 5.0	0.30	20	1.30	10.0
1429 - 1501	<a href="#">PDW-1415-03-TNC-05</a>	0.3	± 5.0	0.40	20	1.30	10.0
1700 - 1990	<a href="#">PDW-1719-03-TNC-05</a>	0.3	± 7.0	0.40	20	1.30	10.0
2400 - 2500	<a href="#">PDW-2425-03-TNC-05</a>	0.3	± 7.0	0.50	20	1.30	10.0