



Data Display Products®

T-1 PCB MOUNT LEDs

Single

· Vertical or Horizontal Mount

· For Detailed LED Data, See Discrete Section, MODEL 12

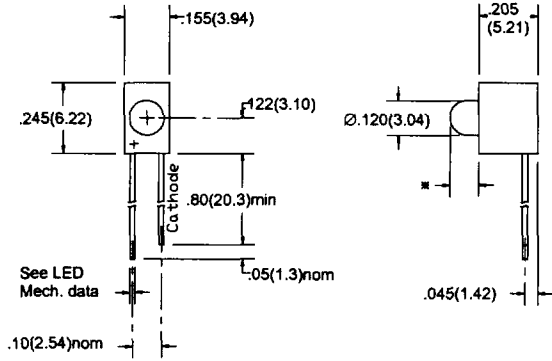
Model		LED					
		Color	λ_{pk} (nm)	$I_v^{(1)}$ (mcd)	Tint ⁽²⁾		
PCH125	Right Angle Mount	-ER	RED	660	48	D	
PCH125-200	Right Angle Mount	-EGR	RED	660	60	C	
PCV125	Vertical Mount	-EWR	RED	660	60	W	
PCV125-200	Vertical Mount	-PCR	RED	660	80	C	
		-RQ	RED	654	340	W	
		-BR	RED	635	14	D	
		-BCR	RED	635	60	C	
		-EA	ORG	605	18	D	
		-ECA	ORG	605	24	C	
		-EWA	ORG	605	24	W	
		-PCA	ORG	605	40	C	
		-AQ	AMB	592	200	W	
		-BA	AMB	583	14	D	
		-BCA	AMB	583	30	C	
		-EAY	AMB	580	18	D	
		-EAY	AMB	580	24	C	
		-EWAY	AMB	580	24	W	
		-PCAY	AMB	580	40	C	
		-EY	YEL	570	30	D	
		-ECY	YEL	570	48	C	
		-EWY	YEL	570	48	W	
		-PCY	YEL	570	60	C	
		-BG	GRN	565	14	D	
		-BCG	GRN	565	44	C	
		-EG	GRN	555	8	D	
		-ECG	GRN	555	15	C	
		-EWG	GRN	555	15	W	
		-PCG	GRN	555	20	C	
		<i>Specialty LEDs</i>				<i>Description</i>	
		-RLP	RED	635	2.1	D	Low Power
		-ALP	AMB	583	1.6	D	Low Power
		-GLP	GRN	565	2.1	D	Low Power
		-RG	R/G	630/565	5/5	D	Bi-Color, Red Cathode
		-BR5V	RED	635	8	D	Integrated Resistor for 5VDC
		-BA5V	AMB	583	8	D	Integrated Resistor for 5VDC
		-BG5V	GRN	565	8	D	Integrated Resistor for 5VDC
		-BR12V	RED	635	8	D	Integrated Resistor for 12VDC
		-BA12V	AMB	583	8	D	Integrated Resistor for 12VDC
		-BG12V	GRN	565	8	D	Integrated Resistor for 12VDC

[1] I_v = typical luminous intensity @ I_f = 20mA (T_a =25°C), Low Power LEDs @ I_f = 2mA, Integrated Resistor LEDs @ V_f = 5VDC or @ V_f = 12VDC.

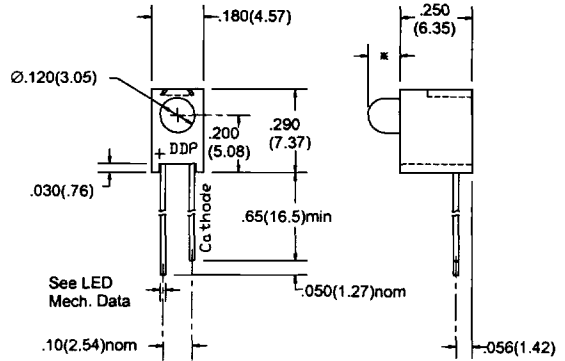
[2] D = Diffused, C = Clear tinted, W = Water Clear.

To Order: Select one **BOLD** component from each **SHADED** column in the table.
Example: Part Number PCH125-PCY:

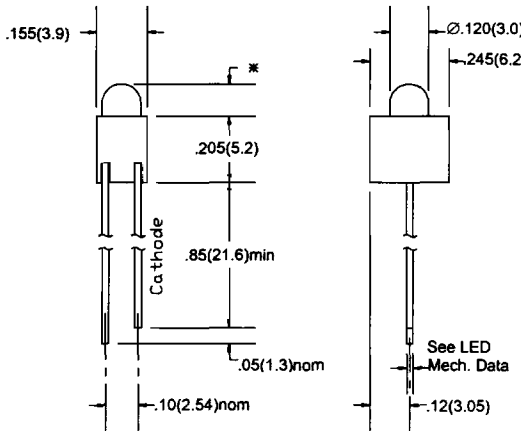
Model	LED
PCH125	PCY



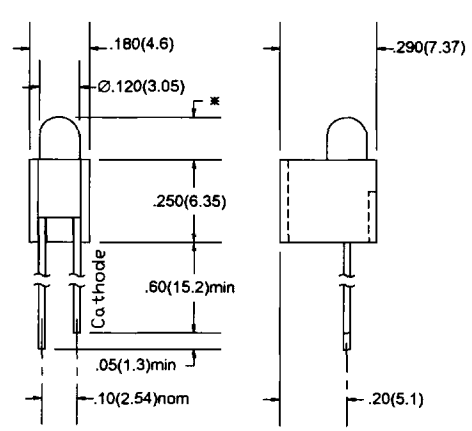
PCH125



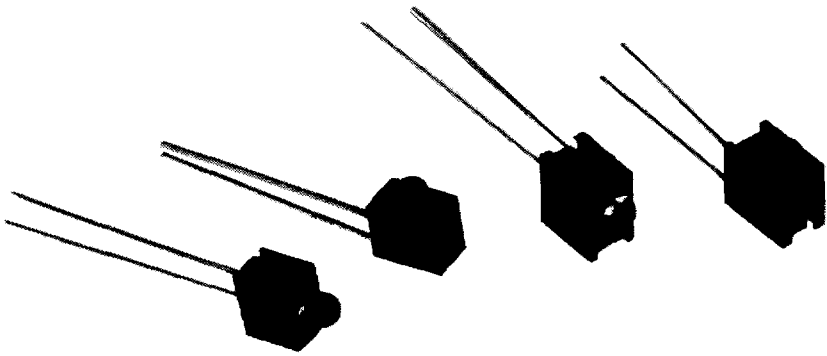
PCH125-200



PCV125



PCV125-200



* 125-BX, -BCX, -XQ, -XLP, -BX5V, -BX12V	.09
125-PCX, -RG	.12
125-EX, -ECX, -EWX	.14

All dimensions are in inches(mm)
Tolerances: .xx".(x) ±.025"(.63) / .xxx"(.xx) ±.010"(.25)
Specifications are subject to change without notice.