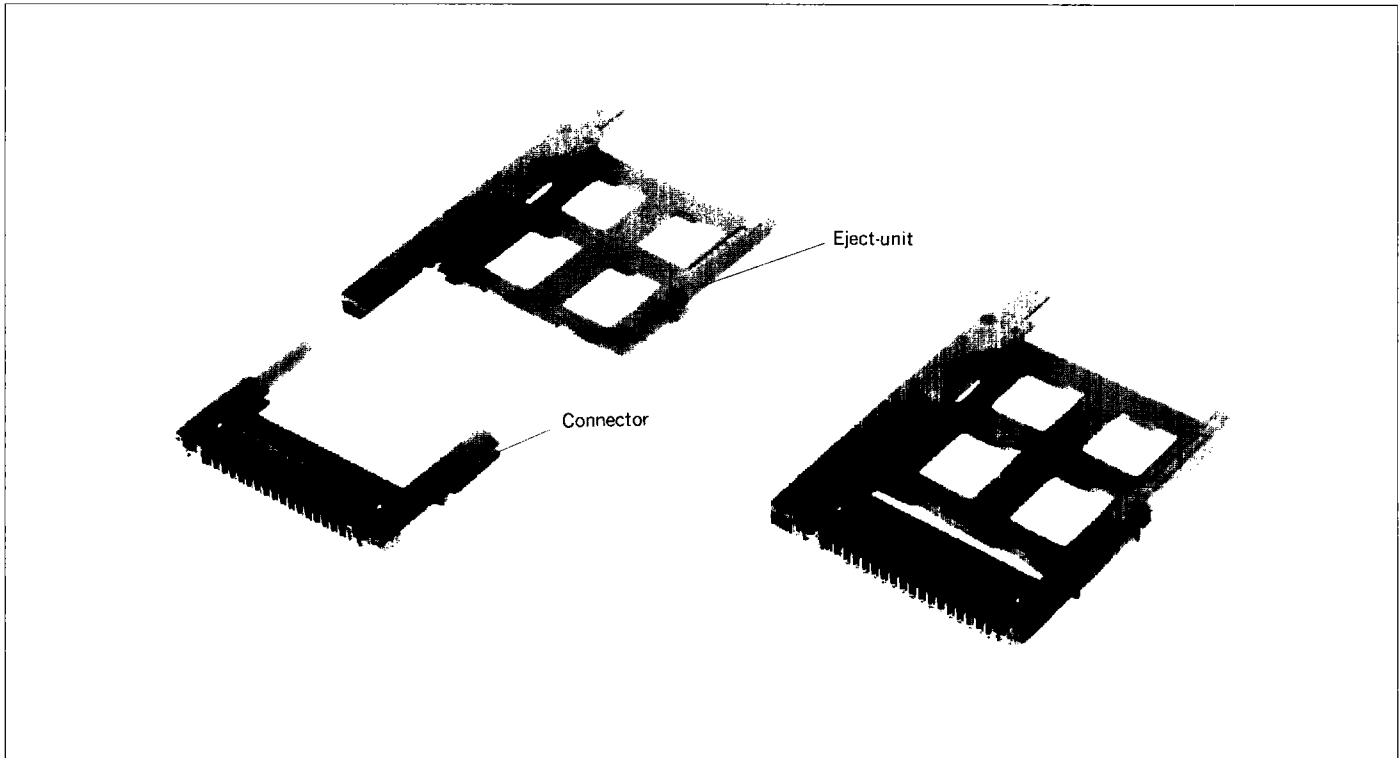


MCD Series



Pin header connector Push type ejector



APPLICATION

Memory cards, Computers

FEATURES

- System side connector with push button ejector conforms to JEIDA Ver. 4.1 and PCMCIA Rel. 2.0
- This connector accepts Type I and Type II cards.
- Low insertion force design for high mating cycles
- ESD and First-make, Last-break contacts for protection against electrostatic discharge
- Equipped with brake to prevent card from excessive ejection
- Available with ejector assembled or unassembled.

SPECIFICATION

- Rated voltage125V AC(r.m.s.)
- Rated current0.5A/contact
- Dielectric withstanding500V AC(r.m.s.)
voltage 1 minute
- Insulation resistance1000M Ω min.
at 500V DC
- Contact resistance40m Ω max

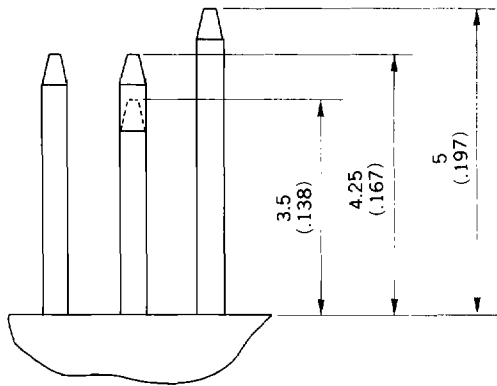
MATERIAL/FINISH

- ContactCopper alloy/
Gold over Nickel plate
Solder plate on tails
- InsulatorPBT resin(UL94V-0)

MCD Series



Unit: mm (inch)



Detail "A"

Contact Position	Contact Length
1, 17, 34, 35, 51, 68	5 (.197)
36, 67	3.5 (.138)
Others	4.25 (.167)

PCB mounting dimensions

PCB thickness = 1.6 ± 0.19 (.063 \pm .007)

