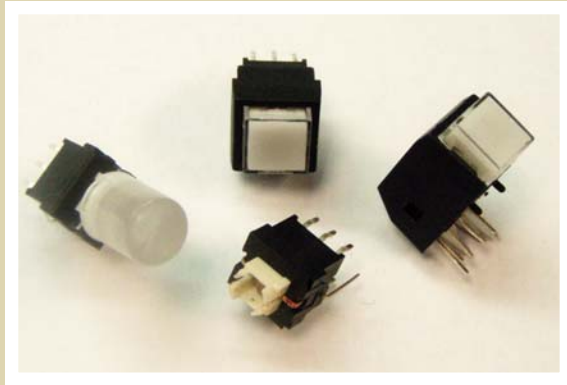


# SERIES LP4 SWITCHES

## ILLUMINATED PUSHBUTTON SWITCH



### MECHANICAL SPECIFICATIONS

Mechanical Life:	50,000 cycles
Force:	250 ± 100 grams
Travel:	1.0mm ± 0.3mm LOCK; 1.5mm ± 0.3mm FULL

### ELECTRICAL SPECIFICATIONS

Contact Rating:	30VDC, 0.1A
Contact Resistance (Initial Max.):	50milliohms max.
Insulation Resistance (min.@500V):	100megaohms min. @ 500VDC
Dielectric Strength (1 Min.):	500VAC

### FEATURES & BENEFITS

- Latching and momentary options
- Illuminated
- Right angle and vertical mount options
- Multiple bezel and button designs

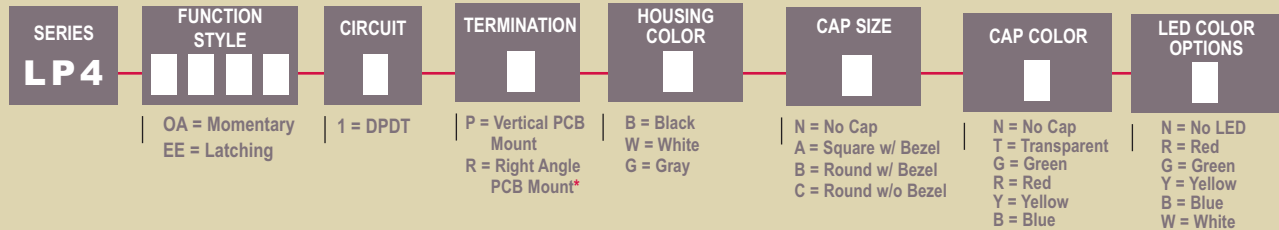
### APPLICATIONS / MARKETS

- Telecommunications
- Consumer Electronics
- Audio/visual
- Medical
- Testing/instrumentation
- Computer/servers/peripherals

### ENVIRONMENTAL SPECIFICATIONS

Operating Temperature:	-20°C to +70°C
------------------------	----------------

### HOW TO ORDER



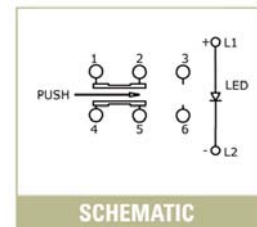
\* Right angle only available in a square cap with bezel.

### Example Ordering Number

LP4-OA-1-P-B-A-T-R

Specifications subject to change without notice.

LED SPECIFICATIONS					
	Blue	Red	Green	Yellow	White
Forward Current (mA)	5mA	20mA	20mA	20mA	20mA
Forward Voltage@20mA	2.9-4.0VDC	1.9-2.5VDC	2.1-2.5VDC	1.7-2.4VDC	3.5-4.0VDC
Luminous Intensity	9 mcd@5mA	200 mcd	45 mcd	350 mcd	2700 mcd



# SERIES LP4 SWITCHES

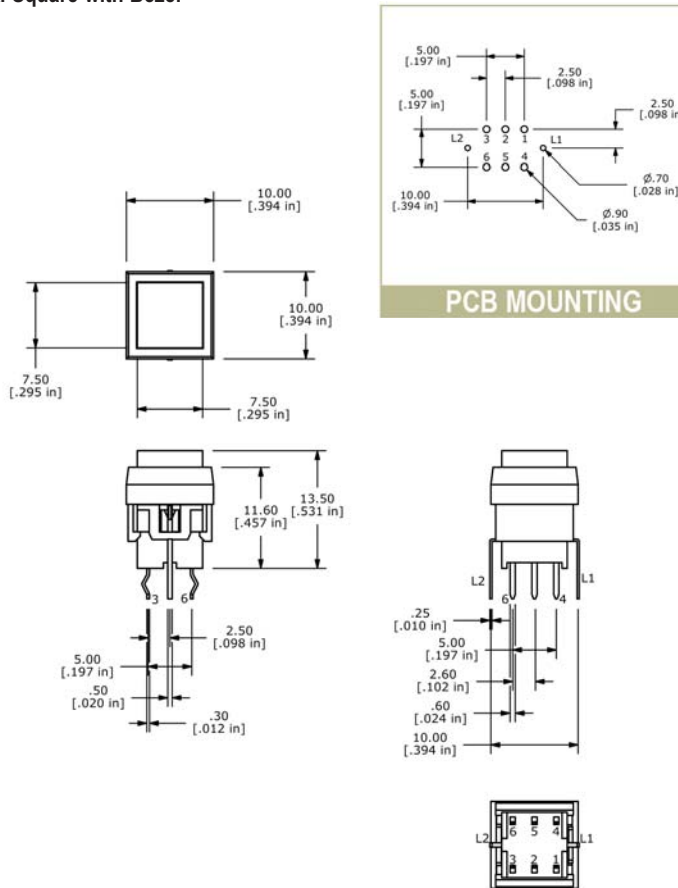
## ILLUMINATED PUSHBUTTON SWITCH



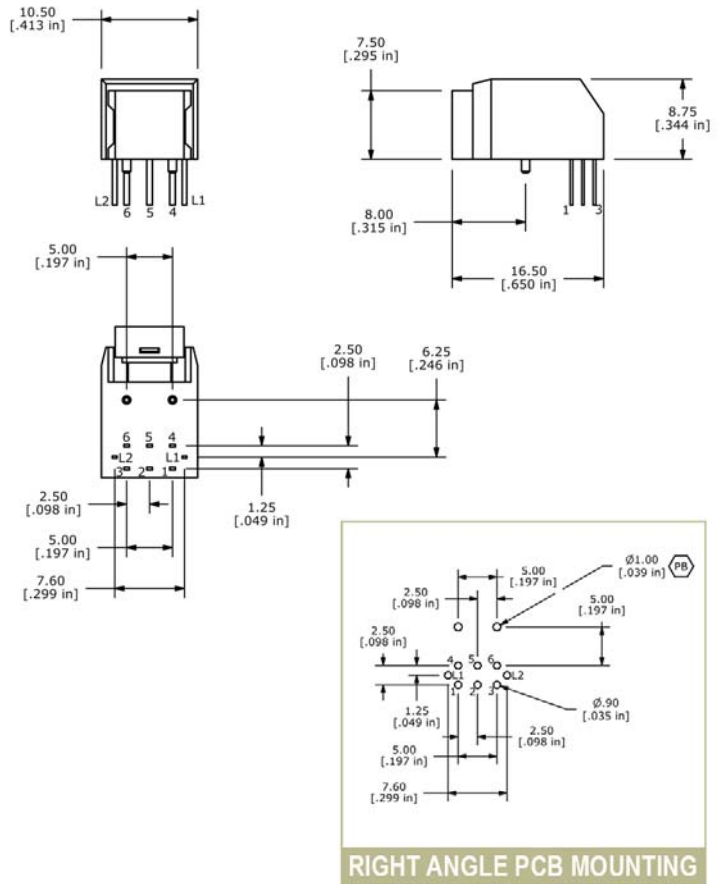
E-SWITCH™

### CAP OPTIONS

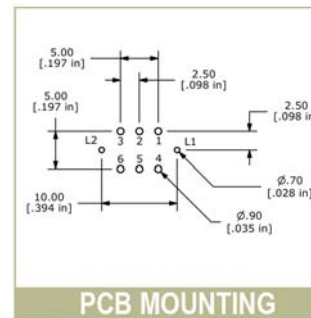
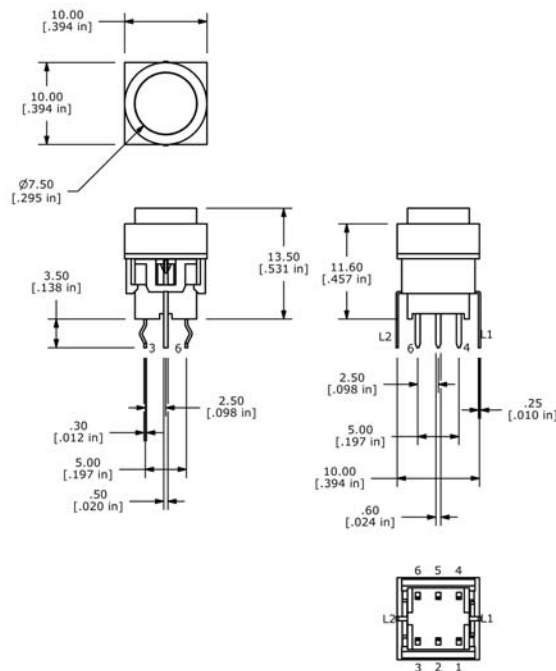
#### A. Square with Bezel



#### A. Square with Bezel - Right Angle



#### B. Round with Bezel



# SERIES LP4 SWITCHES

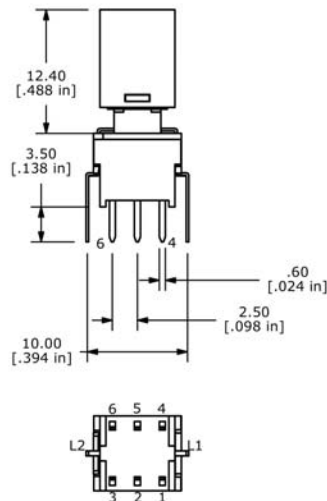
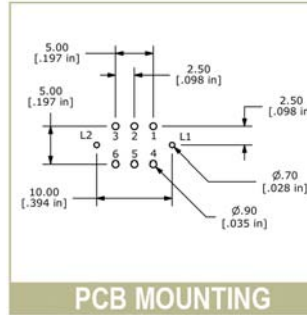
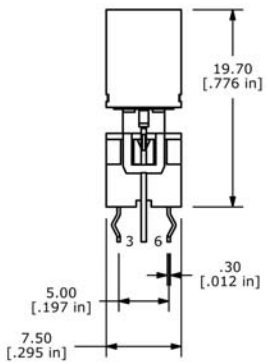
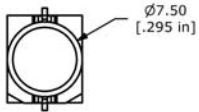
## ILLUMINATED PUSHBUTTON SWITCH



E-SWITCH™

### CAP OPTIONS (CONT.)

#### C. Round without Bezel



#### N. No Cap

