

**SPECIFICATIONS**

**Mechanical**

**Mating Force:** 3.0kg ( 6.6Lb ) min.  
**Unmating Force:** 0.3kg (0.66Lb ) min.  
**Durability :** 5000 Cycles

**Electrical**

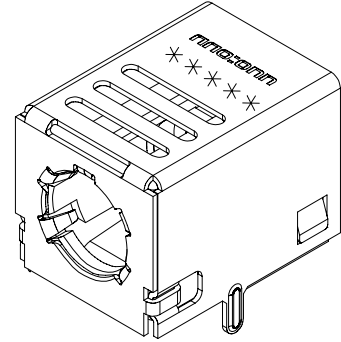
**Voltage Rating:** 150V max.  
**Current Rating:** 1A max.  
**Contact Resistance:** 50mΩ max.  
**Dielectric Withstanding Voltage:** 500V  
**Insulation Resistance:** 100MΩ

**Physical**

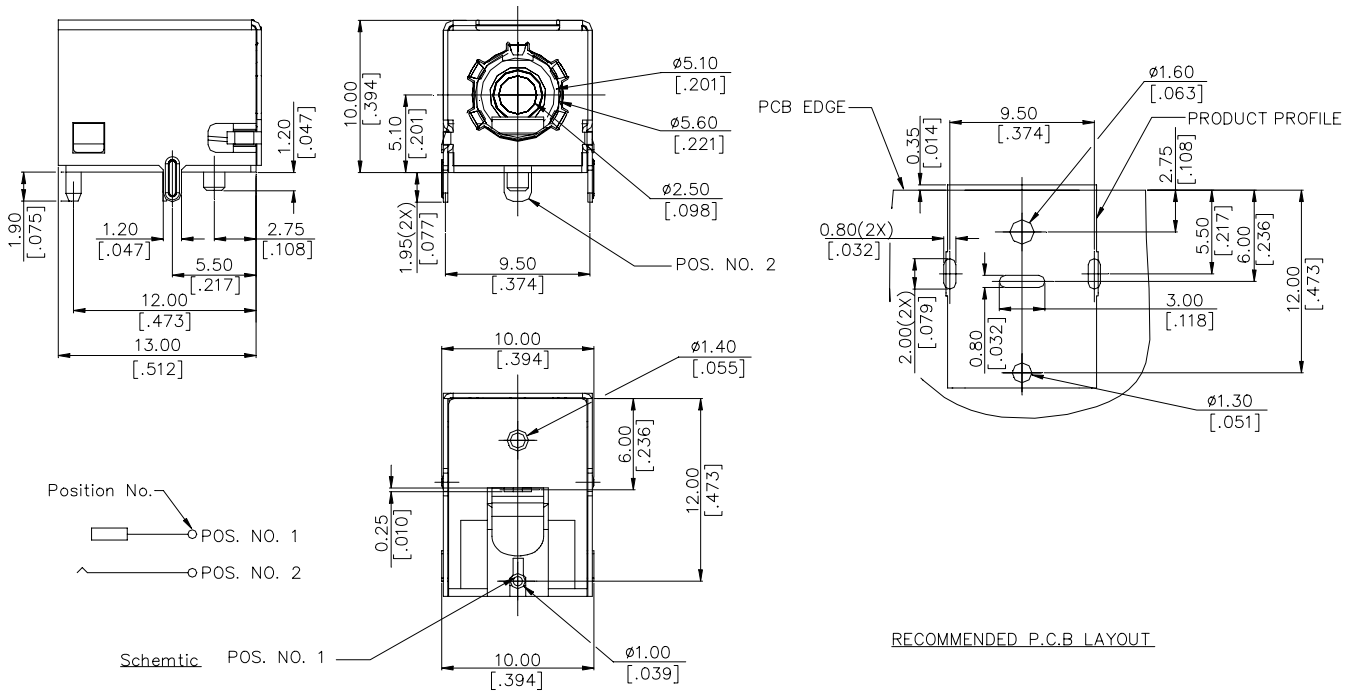
**Housing:** Thermoplastic, UL 94V-0  
**Contact:** Copper alloy  
**Plating:** See "ORDERING INFORMATION"  
**Metal Spring:** Copper alloy  
**Operating Temperature:** -40 to +85

**POWER JACK Connector**

**JA Series**  
**T/H Type**  
**3 Bands**  
**Plug Ø3.5mm**  
**5 Pos.**



**DRAWING**



**ORDERING INFORMATION**

**PRODUCT NO.: J P D 1 0 2 1 - N B 0 7 1 - 7 F**

