

SPECIFICATIONS

DC Power Jack Connector

Mechanical

Mating Force: 0.3~3.0Kg (0.66~6.61Lb) .
Unmating Force: 0.3~3.0Kg (0.66~6.61Lb) .
Durability: 5000 Cycles

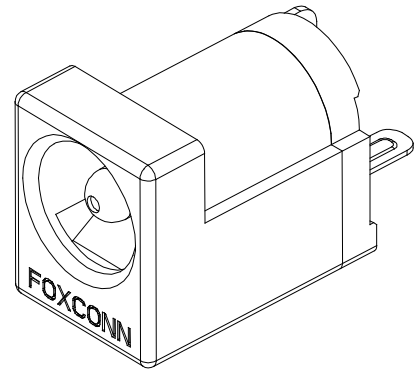
JPD Series
Right Angle, T/H
3 Pos

Electrical

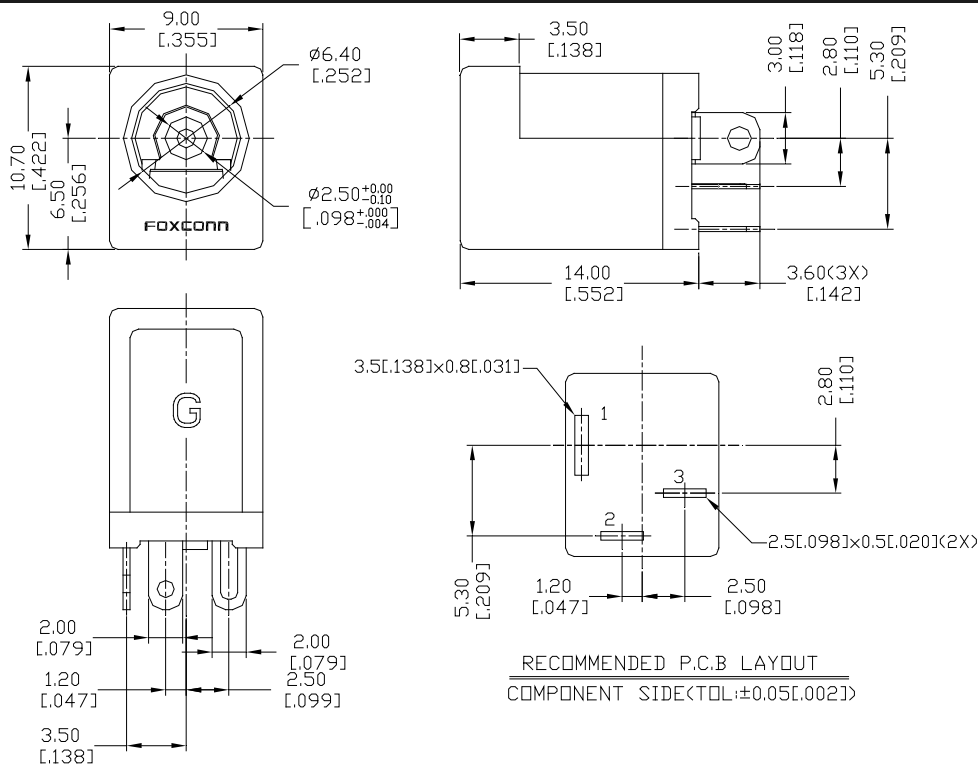
Voltage Rating: 20V
Current Rating: 3.5A max.
Contact Resistance: 30mΩ max. (initial)
 60mΩ max. (after Life Test)
Dielectric Withstanding Voltage: 500V AC/1min min.
Insulation Resistance: 100MΩ min.

Physical

Housing: Thermoplastic, UL 94V-0 rated
Contact: Copper alloy
Plating: See "ORDERING INFORMATION"
Operating Temperature: -25°C to +70°C



DRAWING



ORDERING INFORMATION

PRODUCT NO.	J	P	D	0	0	3	N	-	N533	-	4	F
Jack Series	J	P	D	0	0	3	N	-	N533	-	4	F
JP=Power Jack												
Power Type			D									
D=DC												
Terminator Type												
0=Straight T/H												
Contact Design Type												
0=Male												
Lead Free Code												F
F= Lead Free												
Package Code												4
4= Tray Packing												
Modification Code												
Contact Area Plating												
N=50~100u" Ni												
No. of Pos												3
3=3 Pos												