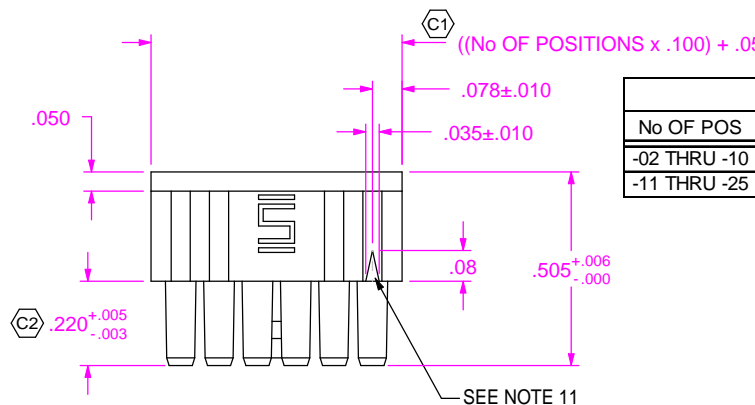


DO NOT SCALE FROM THIS PRINT



No OF POS	T/B BOW	S/S BOW
-02 THRU -10	.002	.002
-11 THRU -25	.003	.003

No OF POSITIONS
-02 THRU -25
(PER ROW)
[SEE FIG. 2 FOR -02 POSITION]

OPTION
-R: RETENTION LATCH
(SEE NOTE 16) (SEE SHEET 3)

OPTION
-K: KEYED POLARIZATION
(SEE FIGURE 3, SHEET 2)

ROW SPECIFICATION
-S: SINGLE

NOTES:

- ① REPRESENTS A CRITICAL DIMENSION.
- SAMTEC LOGO SHALL APPEAR AT ONE LOCATION ON SURFACE SHOWN, APPROXIMATELY .150 x .094 (BOTH SIDES).
- ALL MULTIPLE CAVITY MOLDS SHALL IDENTIFY EACH CAVITY WITH A LETTER DESIGNATION LOCATED WHERE SHOWN.
- ALL IDENTIFICATION MARKS MUST NOT STAND GREATER THAN .002 OFF THE SURFACE OF THE PART.
- MOLDED SURFACES SHALL BE CONSISTENT AND SMOOTH. SURFACES TO BE FREE OF SCATCHES, NICKS, SINK AREAS, VOIDS OR OTHER BLEMISHES.
- MAX ALLOWABLE BOW: SEE TABLE 1. BOW TO BE MEASURED AT MIDLINE OF PART.
- PART TO BE SYMMETRIC ABOUT THE CENTERLINE WITHIN +/- .002, UNLESS OTHERWISE STATED.
- NUMBER OF POSITIONS (PER ROW) TO BE SHOWN IN THIS AREA EXCLUDING 2, 3 AND 4 POSITIONS. SIZE AND DEPTH SIMILAR TO POSITION 1 INDICATOR.
- GATE PADS MUST BE RECESSED .005.
- END CORES ARE POLARIZED. CONFIRM GEOMETRY RELATIVE TO POSITION 1 INDICATOR & GATE PADS.
- POSITION 1 INDICATOR TO BE .0005 MAX DEPTH, NOT PRESENT ON 2-4 POSITION OPTIONS.
- SPECIFIED POSITIONS TO BE IDENTIFIED WHERE SHOWN (NOTE 4 APPLIES).
- MOLD DESIGNER HAS DISCRETION OVER RIB LOCATION. STEEL PRINT SETUP SHEET MUST SHOW RIB CONFIGURATION FOR EACH PART NUMBER.
- PART MUST DRAFT INWARD FROM BOTTOM TO TOP OF STACK.
- ALL DIMENSIONS TO BE SYMMETRIC ABOUT CENTERLINE WITHIN .0015 UNLESS OTHERWISE STATED.
- OPTION NOT FOR SALE. FOR RETENTION LATCH FEATURE, SEE IPD1-XX-S-M PRINT.

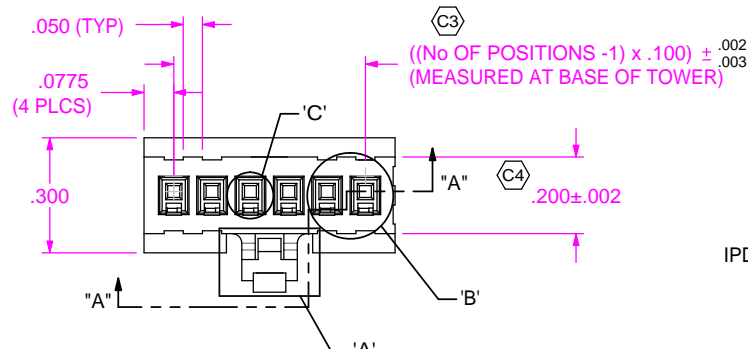
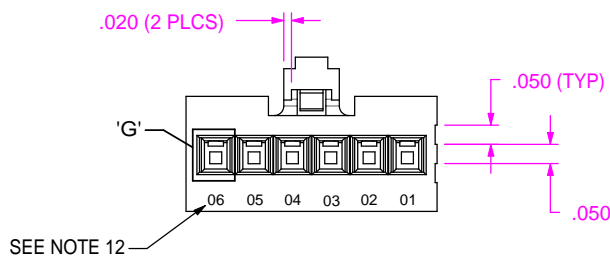
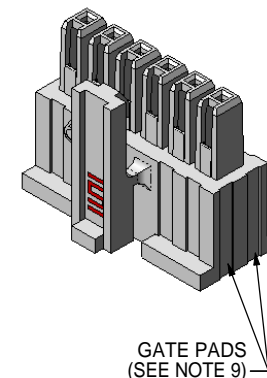
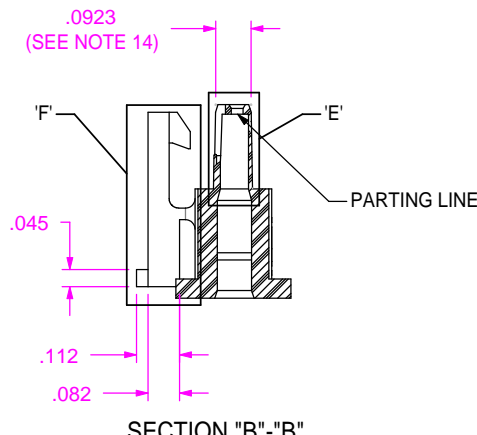
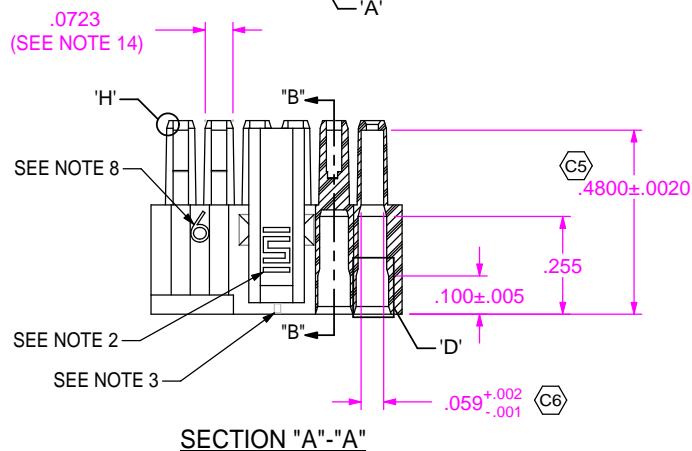


FIG. 1
IPD1-06-S SHOWN



UNLESS OTHERWISE SPECIFIED, DIMENSIONS ARE IN INCHES.

TOLERANCES ARE:

DECIMALS ANGLES
.XX: ±.01 [.3] 2°
.XXX: ±.003 [.08]
.XXXX: ±.0015 [.038]

PROPRIETARY NOTE

THIS DOCUMENT CONTAINS INFORMATION CONFIDENTIAL AND PROPRIETARY TO SAMTEC, INC. AND SHALL NOT BE REPRODUCED OR TRANSFERRED TO OTHER DOCUMENTS OR DISCLOSED TO OTHERS OR USED FOR ANY PURPOSE OTHER THAN THAT WHICH IT WAS OBTAINED WITHOUT THE EXPRESSED WRITTEN CONSENT OF SAMTEC, INC.

MATERIAL: DO NOT SCALE DRAWING SHEET SCALE: 2:1

ZYTEL 103FHS, COLOR: WHITE
ALT MATERIAL: ZYTEL 101F, COLOR: WHITE
MAX REGRIND: 25%
MAX FLASH ALLOWED: .004
MAX GATE VESTIGE: .002

F:\DWG\MISC\MKTG\IPD1-XX-S-X-X-MKT.SLDDRW



520 PARK EAST BLVD, NEW ALBANY, IN 47150
PHONE 812-944-6733 FAX: 812-948-5047
e-Mail: info@SAMTEC.com code: 55322

DESCRIPTION:
.100 SHROUDED CONTACT BODY

DWG. NO. IPD1-XX-S-X-X

BY: DEAN P 04/25/2005 SHEET 1 OF 3

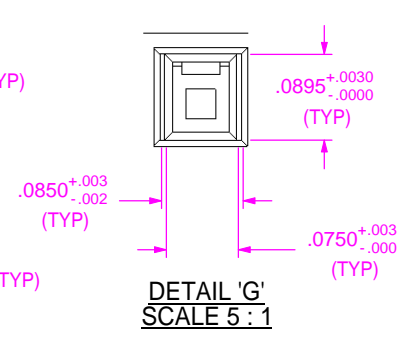
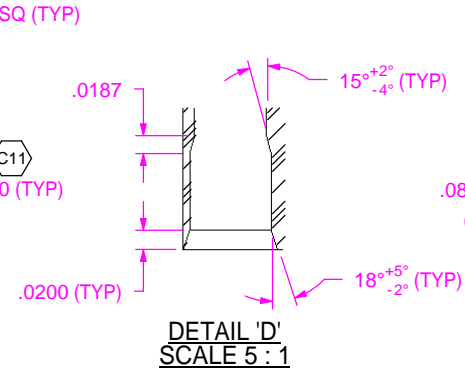
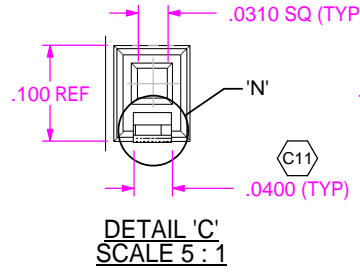
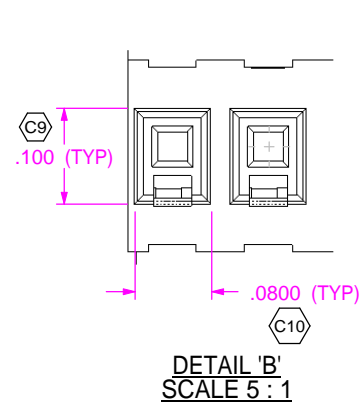
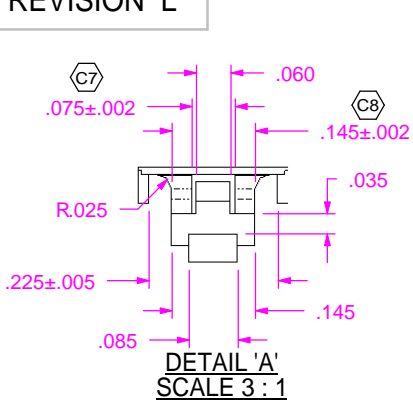


FIG. 2
-02 POSITION
(SAME AS FIG. 1, UNLESS OTHERWISE STATED)

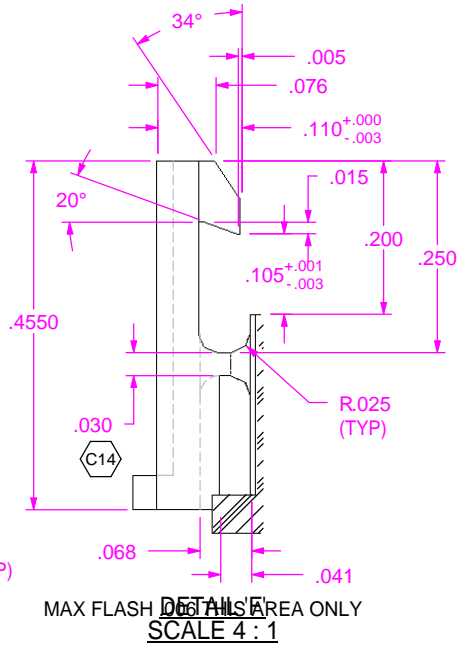
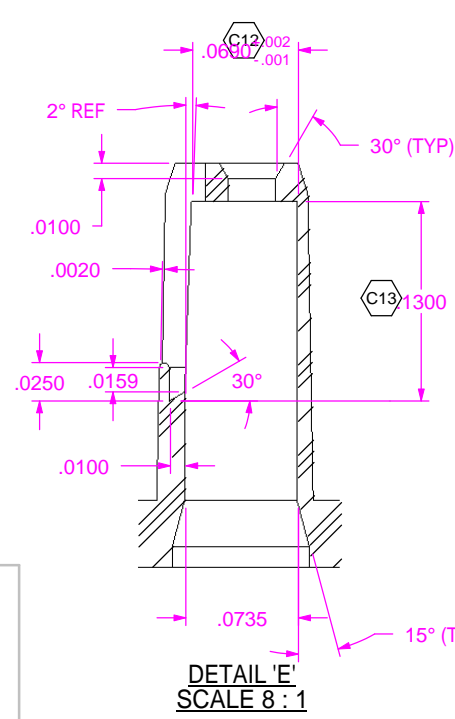
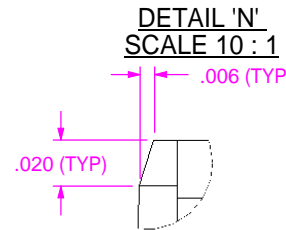
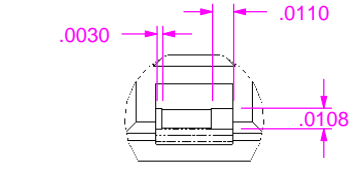
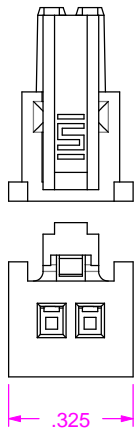
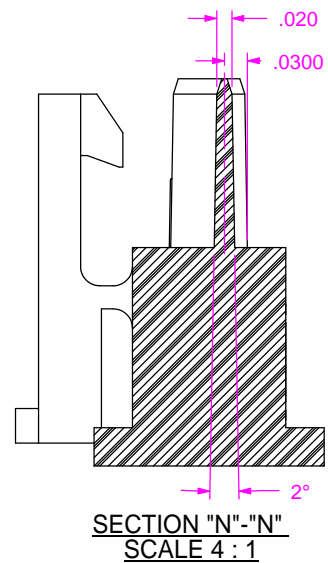
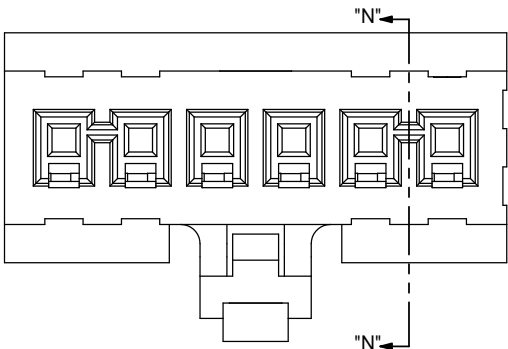


FIG. 3
-K: KEYED POLARIZATION
(IPD1-06-S-K SHOWN)
(SAME AS FIG. 1, UNLESS OTHERWISE STATED)



PROPRIETARY NOTE

THIS DOCUMENT CONTAINS INFORMATION CONFIDENTIAL AND PROPRIETARY TO SAMTEC, INC. AND SHALL NOT BE REPRODUCED OR TRANSFERRED TO OTHER DOCUMENTS OR DISCLOSED TO OTHERS OR USED FOR ANY PURPOSE OTHER THAN THAT WHICH IT WAS OBTAINED WITHOUT THE EXPRESSED WRITTEN CONSENT OF SAMTEC, INC.

DO NOT SCALE DRAWING

SHEET SCALE: 2:1

F:\DWG\MISC\MKTG\IPD1-XX-S-X-X-MKT.SLDDRW



520 PARK EAST BLVD, NEW ALBANY, IN 47150
PHONE: 812-944-6733 FAX: 812-948-5047
e-Mail: info@SAMTEC.com code: 55322

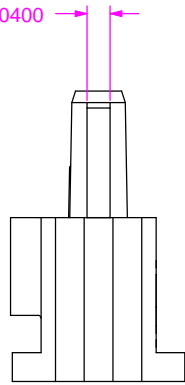
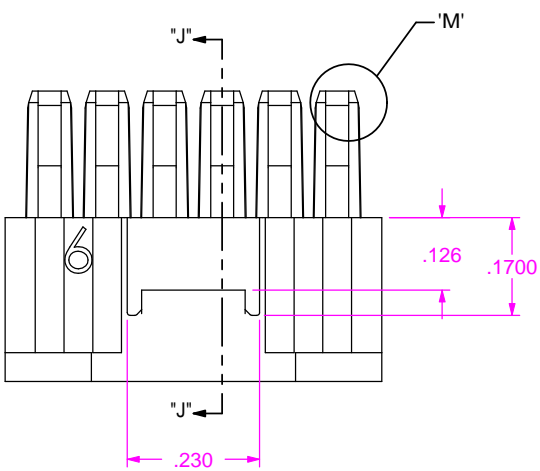
DESCRIPTION: .100 SHROUDED CONTACT BODY

DWG. NO. IPD1-XX-S-X-X

BY: DEAN P 04/25/2005 SHEET 2 OF 3

FIG. 4
(IPD1-06-S-R SHOWN)
(SAME AS FIG.1, UNLESS OTHERWISE STATED)
(SEE NOTE 16)

NOT RELEASED FOR PRODUCTION

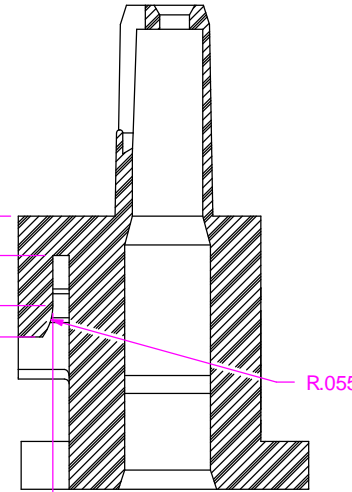
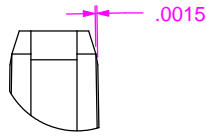


C15

.041^{+0.000}
-.001

.0327

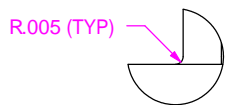
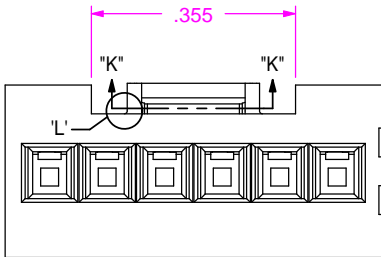
DETAIL 'M'
SCALE 6 : 1



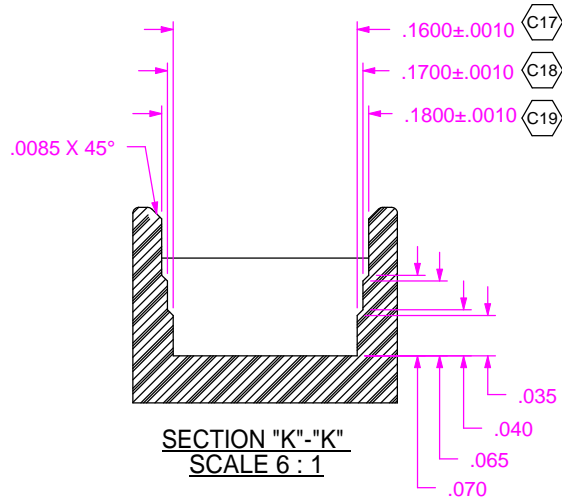
SECTION "J"-J"
SCALE 5 : 1

C16

.0170±.0010



DETAIL 'L'
SCALE 8 : 1

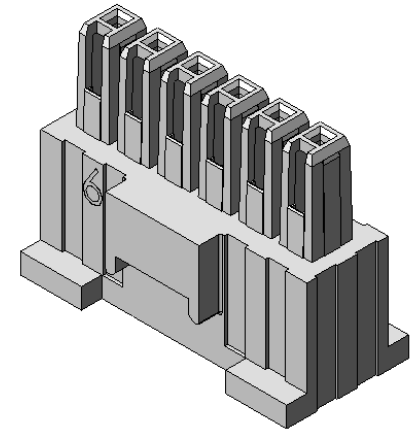
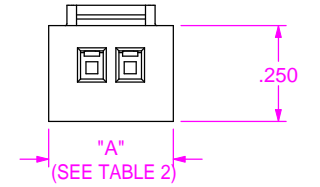
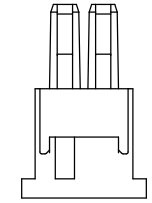


SECTION "K"-K"
SCALE 6 : 1

FIG. 5
(IPD1-02-S-R SHOWN)
(SAME AS FIG.2, UNLESS OTHERWISE STATED)
(SEE NOTE 16)

NOT RELEASED FOR PRODUCTION

TABLE 2	
No OF POS	"A"
-02	.325
-03	.425



PROPRIETARY NOTE

THIS DOCUMENT CONTAINS INFORMATION CONFIDENTIAL AND PROPRIETARY TO SAMTEC, INC. AND SHALL NOT BE REPRODUCED OR TRANSFERRED TO OTHER DOCUMENTS OR DISCLOSED TO OTHERS OR USED FOR ANY PURPOSE OTHER THAN THAT WHICH IT WAS OBTAINED WITHOUT THE EXPRESSED WRITTEN CONSENT OF SAMTEC, INC.

DO NOT SCALE DRAWING

SHEET SCALE: 4:1

samtec

520 PARK EAST BLVD, NEW ALBANY, IN 47150
PHONE: 812-944-6733 FAX: 812-948-5047
e-Mail: info@SAMTEC.com code: 55322

DESCRIPTION: .100 SHROUDED CONTACT BODY

DWG. NO. IPD1-XX-S-X-X

BY: DEAN P 04/25/2005 SHEET 3 OF 3