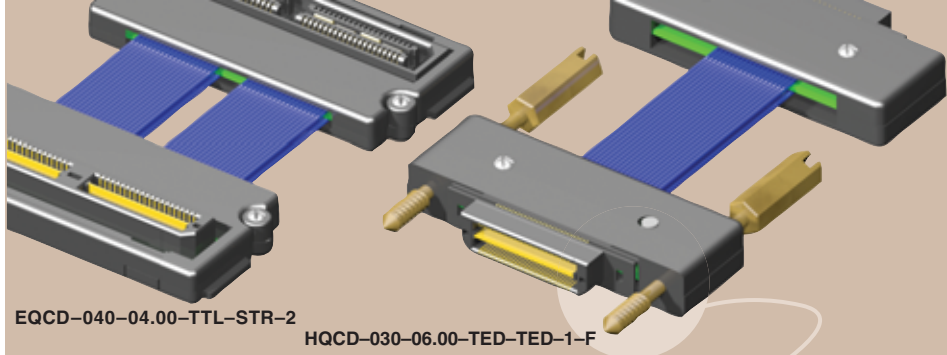




(0,50mm) .0197"
(0,80mm) .0315"

HQCD, EQCD SERIES



QSTRIP® COAX CABLE ASSEMBLIES

SPECIFICATIONS

For complete specifications see www.samtec.com?HQCD or www.samtec.com?EQCD

- Cable:** 38 AWG micro ribbon coax cable
- Signal Routing:** 50Ω Single-Ended
- Overall Length:** (95,3mm) 03.75" to (1m) 40" standard
- Cable Flexing Life:** >10,000 cycles
- Cable Bending Radius:** <2,5mm
- Plating:** Au over 50µ" (1,27µm) Ni
- Current Rating:** 300 milliamp max
- Cable Propagation Delay:** 4.4 nsec/meter
- Operating Temp Range:** -40°C to +105°C
- Unmating Force (-RT1 option):** -RT1 option increases unmating force up to 50%
- RoHS Compliant:** Yes



HQCD Mates with:
QTH, QSH

EQCD Mates with:
QTE, QSE



Surface Mount,
Edge Mount or
Panel Mount

Socket or
Terminal

0,50mm or
0,80mm pitch

38 AWG micro ribbon
coax cable

SCREW MOUNT
APPLICATIONS
(-F, -S, -B)

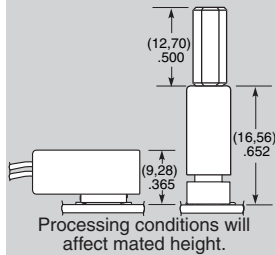
Screw Mount
options

Cable Length	Rated @ -3dB Insertion Loss	
	EQCD	HQCD
39.37" (1m)	465 MHz / .930 Gbps	370 MHz / .740 Gbps

Performance and complete test data available at www.samtec.com?EQCD, www.samtec.com?HQCD or contact sig@samtec.com

SO-0318-04-01-02
SO-0165-04-01-02

APPLICATIONS



APPLICATION SPECIFIC

- Other sizes and lengths
- Other terminations
- Other wire AWG

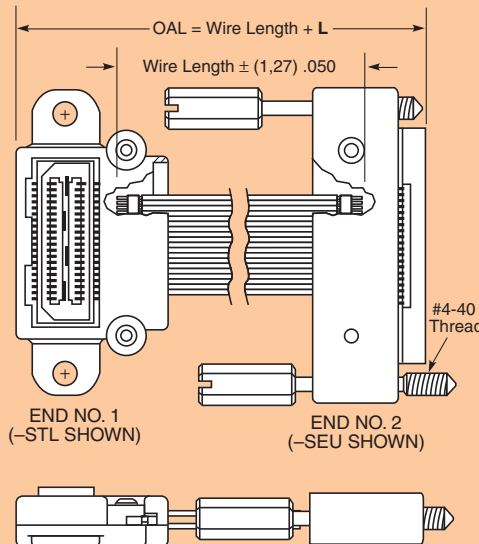
Contact dr@samtec.com

Note:
Cable lengths longer than 40.00" (1 meter) are not supported with S.I. test data.

Note:
Verify part number with Samtec's Interactive Cable Builder at www.samtec.com/cable_builder/pitch.asp

Note:
This Series is non-standard, non-returnable.

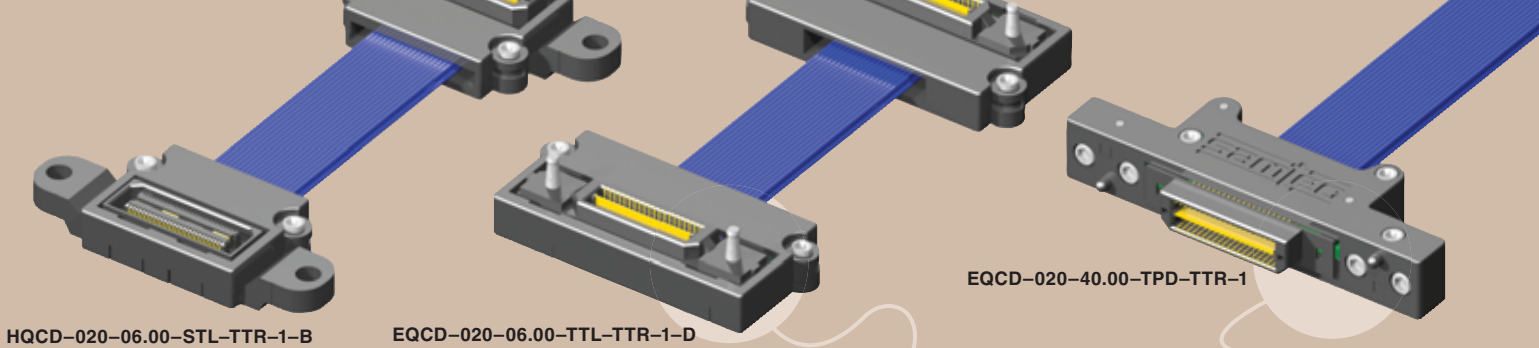
TYPE	NO. OF POSITIONS PER ROW	WIRE LENGTH
HQCD = (0,50mm) .0197" pitch EQCD = (0,80mm) .0315" pitch	-030, -060, -090, -120 (HQCD Series) -020, -040, -060, -080 (EQCD Series)	-"XX.XX" = Wire Length in Inches (95,3mm) 03.75" Minimum



END TO END	L
Surface Mount to Surface Mount	(24,13) .950
Surface Mount to Edge Mount (Terminal)	(21,21) .835
Surface Mount to Edge Mount (Socket)	(20,47) .806
Edge Mount (Terminal) to Edge Mount (Terminal)	(18,29) .720
Edge Mount (Terminal) to Edge Mount (Socket)	(17,55) .691
Edge Mount (Socket) to Edge Mount (Socket)	(16,81) .662

Due to technical progress, all designs, specifications and components are subject to change without notice.

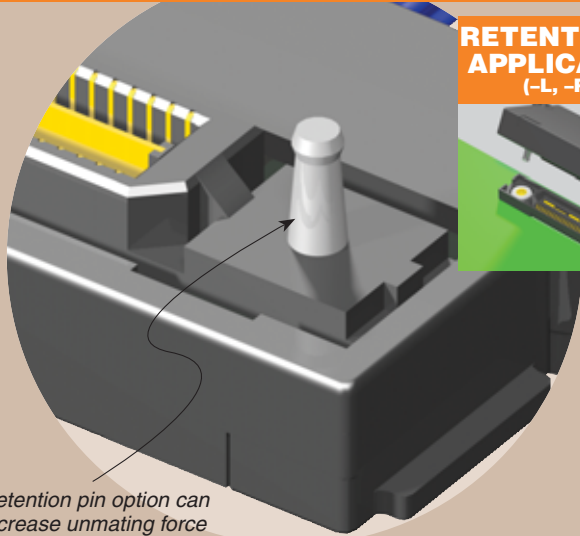
WWW.SAMTEC.COM



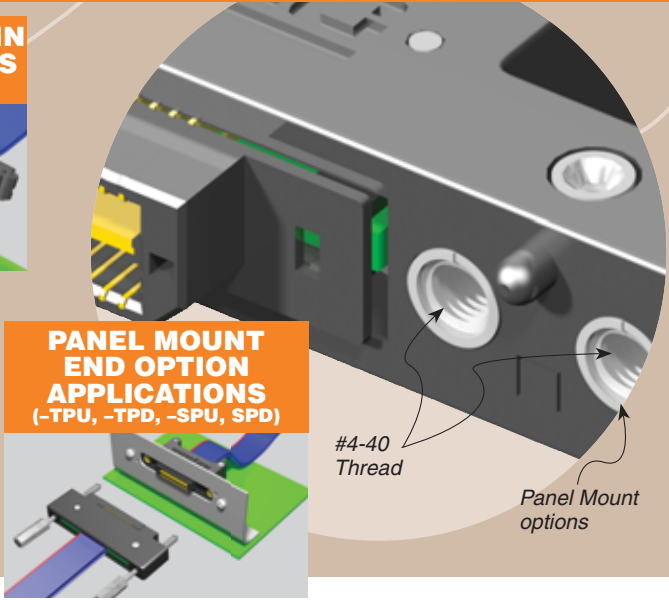
HQCD-020-06.00-STL-TTR-1-B

EQCD-020-06.00-TTL-TTR-1-D

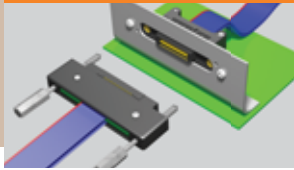
EQCD-020-40.00-TPD-TTR-1



RETENTION PIN APPLICATIONS
(-L, -R, -D)



PANEL MOUNT END OPTION APPLICATIONS
(-TPU, -TPD, -SPU, SPD)



END NO. 1

END NO. 2

WIRING OPTION

END OPTIONS

Specify **END ASSEMBLIES** from chart

END 1 or END 2	EDGE MOUNT
TEU	Terminal, Edge Mount, Notch Up
TED	Terminal, Edge Mount, Notch Down
SEU	Socket, Edge Mount, Notch Up
SED	Socket, Edge Mount, Notch Down

END 1 ONLY	PANEL MOUNT (Not available on HQCD 120 position and EQCD 80 positions)
TPU	Terminal, Panel Mount, Notch Up
TPD	Terminal, Panel Mount, Notch Down
SPU	Socket, Panel Mount, Notch Up
SPD	Socket, Panel Mount, Notch Down

- 1 = Pin 1 to Pin 1
- 2 = Pin 1 to Pin 2
- 3 = Pin 1 to Second to Last Pin
- 4 = Pin 1 to Last Pin

END 1 or END 2	SURFACE MOUNT
TTR	Terminal, Top Mount, Notch Right
TTL	Terminal, Top Mount, Notch Left
TBR	Terminal, Bottom Mount, Notch Right
TBL	Terminal, Bottom Mount, Notch Left
STR	Socket, Top Mount, Notch Right
STL	Socket, Top Mount, Notch Left
SBR	Socket, Bottom Mount, Notch Right
SBL	Socket, Bottom Mount, Notch Left

Leave blank for no Screw Mount & Retention End Option

- F = Screw Mount End No. 1 only (N/A with XPX options)
- S = Screw Mount End No. 2 only
- B = Screw Mount Both Ends (N/A with XPX options)

(N/A on 80 positions EQCD and 120 position HQCD)

- L = End No. 1 Retention Pin or Socket
- R = End No. 2 Retention Pin or Socket
- D = Both Ends Retention Pin or Socket

- 1 = End No. 1 Screw Mount, End No. 2 Retention Pin or Socket
- 2 = End No. 1 Retention Pin or Socket, End No. 2 Screw Mount Option

Due to technical progress, all designs, specifications and components are subject to change without notice.

WWW.SAMTEC.COM