

# Product Specifications

F4PDF-BHC

7-16 DIN Female Bulkhead for 1/2 in cable

## **OBSOLETE**

This product was discontinued on: **9/30/2010**



## CHARACTERISTICS

### General Specifications

Interface	7-16 DIN Female
Body Style	Bulkhead
Brand	HELIAX <sup>®</sup>
Mounting Angle	Straight

### Electrical Specifications

Connector Impedance	50 ohm
Operating Frequency Band	0 – 3000 MHz
Cable Impedance	50 ohm
RF Operating Voltage, maximum (vrms)	884.00 V
dc Test Voltage	2500 V
Outer Contact Resistance, maximum	1.50 mOhm
Inner Contact Resistance, maximum	0.80 mOhm
Insulation Resistance, minimum	5000 MOhm
Average Power	1.0 kW @ 900 MHz
Peak Power, maximum	15.60 kW
Insertion Loss, typical	0.05 dB

[www.commscope.com/andrew](http://www.commscope.com/andrew)

©2011 CommScope, Inc. All rights reserved.

All trademarks identified by ® or ™ are registered trademarks or trademarks, respectively, of CommScope. All specifications are subject to change. See [www.commscope.com/andrew](http://www.commscope.com/andrew) for the most current information.

# Product Specifications

F4PDF-BHC

Shielding Effectiveness

-110 dB



[www.commscope.com/andrew](http://www.commscope.com/andrew)

©2011 CommScope, Inc. All rights reserved.

All trademarks identified by ® or ™ are registered trademarks or trademarks, respectively, of CommScope. All specifications are subject to change. See [www.commscope.com/andrew](http://www.commscope.com/andrew) for the most current information.

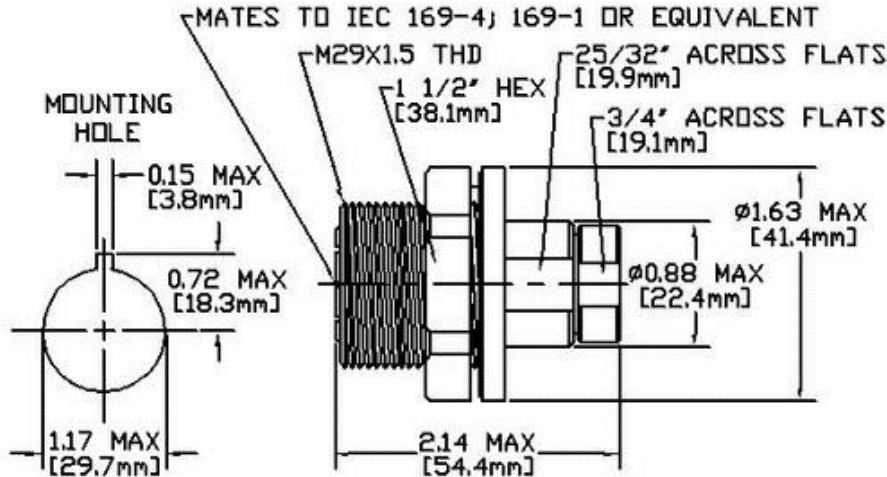
page 2 of 4  
6/9/2011

# Product Specifications

F4PDF-BHC



## Outline Drawing



## Mechanical Specifications

Outer Contact Attachment Method	Self-flare
Inner Contact Attachment Method	Captivated
Outer Contact Plating	Trimetal
Inner Contact Plating	Silver
Attachment Durability	25 cycles
Interface Durability	500 cycles
Interface Durability Method	IEC 61169-4:9.5
Connector Retention Tensile Force	890 N   200 lbf
Connector Retention Torque	5.42 N-m   48.00 in lb
Insertion Force	200.17 N   45.00 lbf
Insertion Force Method	IEC 61169-1:15.2.4
Pressurizable	No

## Dimensions

Nominal Size	1/2 in
Diameter	45.72 mm   1.80 in
Length	50.80 mm   2.00 in
Weight	136.08 g   0.30 lb

## Environmental Specifications

[www.commscope.com/andrew](http://www.commscope.com/andrew)

©2011 CommScope, Inc. All rights reserved.  
All trademarks identified by ® or ™ are registered trademarks or trademarks, respectively, of CommScope. All specifications are subject to change.  
See [www.commscope.com/andrew](http://www.commscope.com/andrew) for the most current information.

page 3 of 4  
6/9/2011

# Product Specifications



F4PDF-BHC

Operating Temperature	-55 °C to +85 °C (-67 °F to +185 °F)
Storage Temperature	-55 °C to +85 °C (-67 °F to +185 °F)
Immersion Depth	1 m
Immersion Test Mating	Mated
Immersion Test Method	IEC 60529:2001, IP68
Water Jetting Test Mating	Mated
Water Jetting Test Method	IEC 60529:2001, IP66
Moisture Resistance Test Method	MIL-STD-202F, Method 106F
Mechanical Shock Test Method	MIL-STD-202F, Method 213B, Test Condition C
Thermal Shock Test Method	MIL-STD-202, Method 107, Test Condition A-1, Low Temperature -55 °C
Vibration Test Method	MIL-STD-202F, Method 204D, Test Condition B
Corrosion Test Method	MIL-STD-1344A, Method 1001.1, Test Condition A

## Standard Conditions

Attenuation, Ambient Temperature	20 °C   68 °F
Average Power, Ambient Temperature	40 °C   104 °F

## Return Loss/VSWR

Frequency Band	VSWR	Return Loss (dB)
45–1000 MHz	1.04	35.00
1000–2000 MHz	1.05	32.00
2000–3000 MHz	1.11	26.00

## Regulatory Compliance/Certifications

Agency	Classification
RoHS 2002/95/EC	Compliant by Exemption
China RoHS SJ/T 11364-2006	Above Maximum Concentration Value (MCV)



## \* Footnotes

Immersion Depth	Immersion at specified depth for 24 hours
Insertion Loss, typical	$0.05\sqrt{\text{freq (GHz)}}$ (not applicable for elliptical waveguide)

[www.commscope.com/andrew](http://www.commscope.com/andrew)