

Concentric and Split Bobbin Vertical Profile Plug-in Transformers

for PC board power isolation

- **PC SERIES CONCENTRIC VERTICAL MOUNT** models provide operation frequencies from 47 to 500 Hz. Isolation between primary and secondary 1500V.
- **EL SERIES SPLIT BOBBIN VERTICAL MOUNT** models are available with a 50/60 Hz primary. Isolation between primary and secondary 2500V. Non-concentric design eliminates ESS.
- **PC AND EL SERIES** have the same dimensions and schematics, are available in the same sizes and mounting styles, and share the same general features listed below.

FEATURES

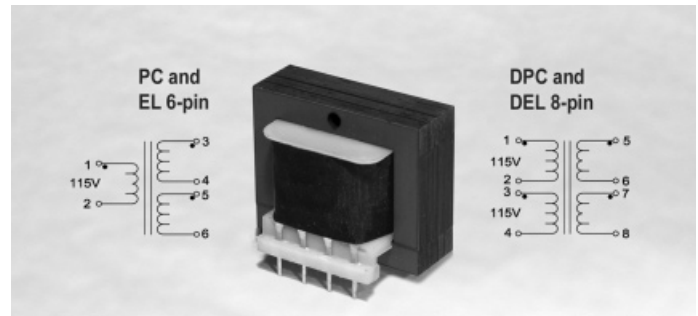
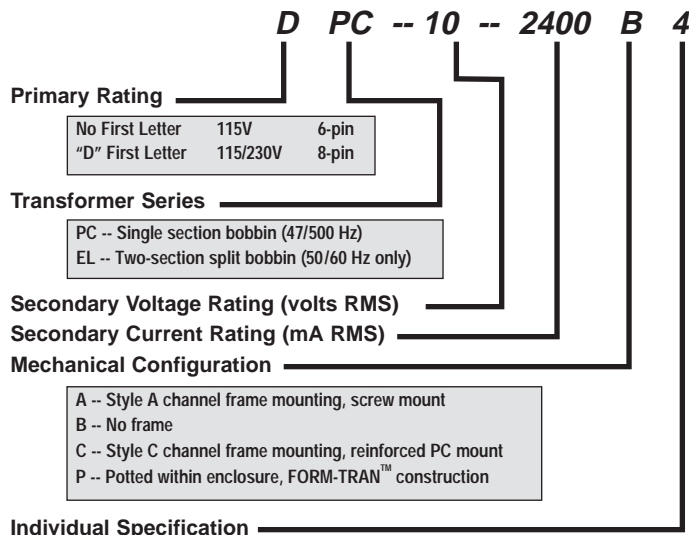
- Vacuum impregnated -- withstands modern board washing systems and reduces audible noise for quiet operation
- Baked resin -- provides fully cured and environmentally resistant finish that will not peel or flake
- Rugged construction
- Universal design -- compatible with industry-standard footprints
- Available in single or dual primary
- Secondaries may be connected in series or parallel
- Formtran enclosed potted unit available. See model code.

AGENCY APPROVALS

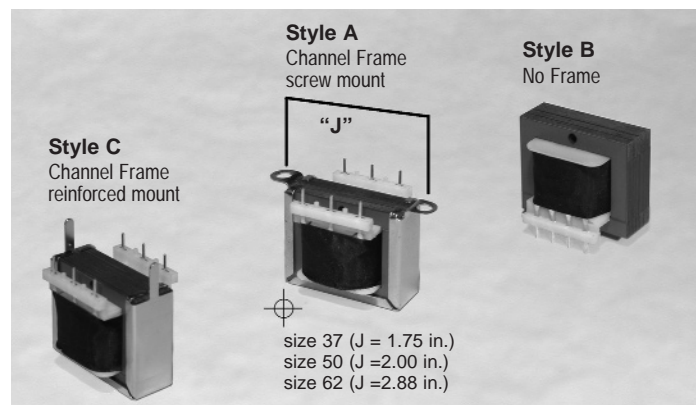
- UL, 506, File E73539
- UL 1446, File E80130
- CSA 22.2#66, File LR68051-2
- UL Recognized Class B



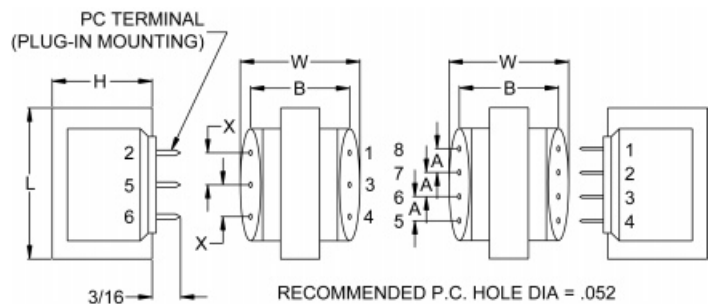
MODEL NUMBER CODE



PC Series (concentric) is shown; primary 47/500 Hz;
EL Series (split bobbin) available; primary 50/60 Hz.



DIMENSIONS -- Style B (no frame) is shown. Contact sales for other dimensions.



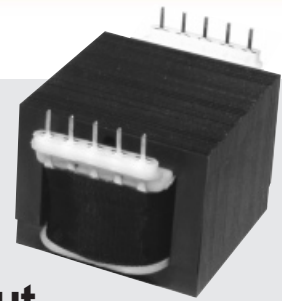
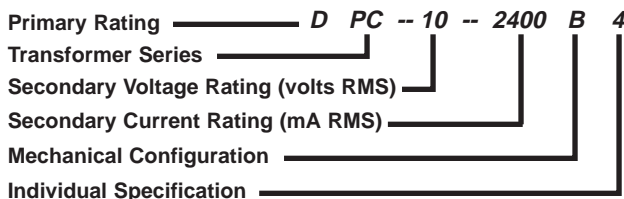
SIZE	VA	WT (oz)	6-pin X	8-pin A	B	L	W	H
25	1.0	2.5	0.250	0.200	1.200	1	1.375	0.83
37	1.2	3	0.312	0.200	1.000	1.375	1.125	1.188
50	4.4	5	0.400	0.250	1.100	1.625	1.250	1.375
62	10	9	0.400	0.250	1.300	1.875	1.438	1.625
24	24	12	0.400	0.250	2.100	1.625	2.250	1.375

NOTES

Pulse Specialty Components reserves the right to make changes without notice.

Concentric and Split Bobbin Vertical Profile Plug-in Transformers (Series PC)

Single 115V 6 Pin	Dual 115/230V 8 Pin	Size	Series	Parallel @ 2x Current
			V.C.T @ mA	V @ mA
PC-10-90B53	DPC-10-90B53	25	10 @ 90	5 @ 180
PC-10-120B1	DPC-10-120B1	37	10 @ 120	5 @ 240
PC-10-440B2	DPC-10-440B2	50	10 @ 440	5 @ 880
PC-10-1000B3	DPC-10-1000B3	62	10 @ 1000	5 @ 2000
PC-10-2400B4	DPC-10-2400B4	24	10 @ 2400	5 @ 4800
PC-12-70B54	DPC-12-70B54	25	12.6 @ 70	6.3 @ 140
PC-12-100B5	DPC-12-100B5	37	12.6 @ 100	6.3 @ 200
PC-12-350B6	DPC-12-350B6	50	12.6 @ 350	6.3 @ 700
PC-12-800B7	DPC-12-800B7	62	12.6 @ 800	6.3 @ 1600
PC-12-2000B8	DPC-12-2000B8	24	12.6 @ 2000	6.3 @ 4000
PC-16-55B55	DPC-16-55B55	25	16 @ 55	8 @ 110
PC-16-75B9	DPC-16-75B9	37	16 @ 75	8 @ 150
PC-16-260B10	DPC-16-260B10	50	16 @ 260	8 @ 520
PC-16-640B11	DPC-16-640B11	62	16 @ 640	8 @ 1280
PC-16-1500B12	DPC-16-1500B12	24	16 @ 1500	8 @ 3000
PC-20-45B56	DPC-20-45B56	25	20 @ 45	10 @ 90
PC-20-60B13	DPC-20-60B13	37	20 @ 60	10 @ 120
PC-20-220B14	DPC-20-220B14	50	20 @ 220	10 @ 440
PC-20-500B15	DPC-20-500B15	62	20 @ 500	10 @ 1000
PC-20-1200B16	DPC-20-1200B16	24	20 @ 1200	10 @ 2400
PC-24-35B57	DPC-24-35B57	25	24 @ 35	12 @ 70
PC-24-50B17	DPC-24-50B17	37	24 @ 50	12 @ 100
PC-24-180B18	DPC-24-180B18	50	24 @ 180	12 @ 360
PC-24-450B19	DPC-24-450B19	62	24 @ 450	12 @ 900
PC-24-1000B20	DPC-24-1000B20	24	24 @ 1000	12 @ 2000
PC-28-30B58	DPC-28-30B58	25	28 @ 30	14 @ 60
PC-28-40B49	DPC-28-40B49	37	28 @ 40	14 @ 80
PC-28-160B50	DPC-28-160B50	50	28 @ 160	14 @ 320
PC-28-360B51	DPC-28-360B51	62	28 @ 360	14 @ 720
PC-28-800B52	DPC-28-800B52	24	28 @ 800	14 @ 1600
PC-34-25B59	DPC-34-25B59	25	34 @ 25	17 @ 50
PC-34-35B21	DPC-34-35B21	37	34 @ 35	17 @ 70
PC-34-125B22	DPC-34-125B22	50	34 @ 125	17 @ 250
PC-34-300B23	DPC-34-300B23	62	34 @ 300	17 @ 600
PC-34-700B24	DPC-34-700B24	24	34 @ 700	17 @ 1400
PC-40-20B60	DPC-40-20B60	25	40 @ 20	20 @ 40
PC-40-30B25	DPC-40-30B25	37	40 @ 30	20 @ 60
PC-40-110B26	DPC-40-110B26	50	40 @ 110	20 @ 220
PC-40-250B27	DPC-40-250B27	62	40 @ 250	20 @ 500
PC-40-600B28	DPC-40-600B28	24	40 @ 600	20 @ 1200
PC-56-15B61	DPC-56-15B61	25	56 @ 15	28 @ 30
PC-56-20B29	DPC-56-20B29	37	56 @ 20	28 @ 40
PC-56-80B30	DPC-56-80B30	50	56 @ 80	28 @ 160
PC-56-180B31	DPC-56-180B31	62	56 @ 180	28 @ 360
PC-56-420B32	DPC-56-420B32	24	56 @ 420	28 @ 840
PC-120-8B63	DPC-120-8B63	25	120 @ 8	60 @ 16
PC-120-10B37	DPC-120-10B37	37	120 @ 10	60 @ 20
PC-120-35B38	DPC-120-35B38	50	120 @ 35	60 @ 70
PC-120-85B39	DPC-120-85B39	62	120 @ 85	60 @ 170
PC-120-200B40	DPC-120-200B40	24	120 @ 200	60 @ 400
PC-230-4B65	DPC-230-4B65	25	230 @ 4	115 @ 8
PC-230-5B45	DPC-230-5B45	37	230 @ 5	115 @ 10
PC-230-20B46	DPC-230-20B46	50	230 @ 20	115 @ 40
PC-230-40B47	DPC-230-40B47	62	230 @ 40	115 @ 80
PC-230-100B48	DPC-230-100B48	24	230 @ 100	115 @ 200

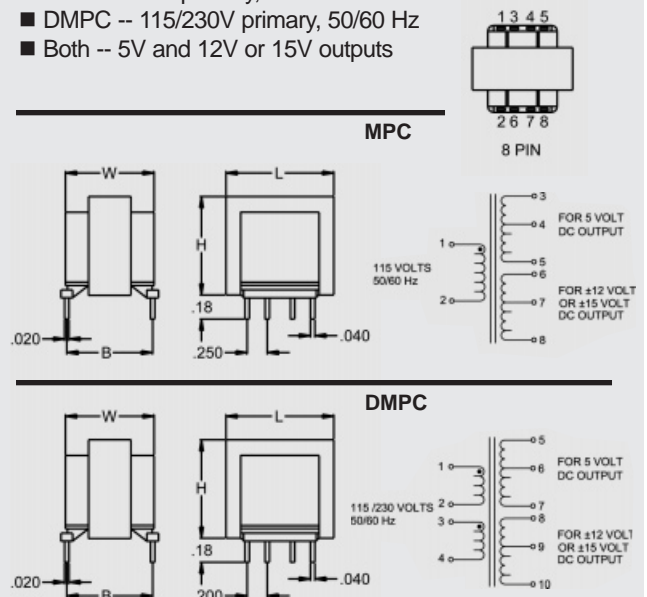


Triple Output Vertical Profile Plug-in Transformers (Series MPC)

Designed around our Series PC transformers, MPC transformers are rated in terms of final DC output after regulation by a 3-terminal IC regulator. 1500V HIPOT is standard.

These transformers are designed for pc board power isolation and for applications that require triple-output regulated supplies. Often used for microprocessor applications.

- MPC -- 115V primary, 50/60 Hz
- DMPC -- 115/230V primary, 50/60 Hz
- Both -- 5V and 12V or 15V outputs



Size	L	W	H	B	weight (lb)
V	1 5/8	1 1/4	1 3/8	1.100	0.31
X	1 7/8	1 7/16	1 5/8	1.300	0.56
Y	1 5/8	2 1/4	1 3/8	2.100	0.75

Part Number Primary 50/60 Hz	DC Output		Size
	115V	115/230V	
MPC-V--12B1	N/A	5V @ 180 mA / 12V @ 35 mA	V
MPC-V-15B2	N/A	5V @ 180 mA / 15V @ 30 mA	V
MPC-X-12B11	DMPC-X-12B31	5V @ 360 mA / 12V @ 60 mA	X
MPC-X-15B12	DMPC-X-15B32	5V @ 360 mA / 15V @ 50 mA	X
MPC-Y-12B21	DMPC-Y-12B41	5V @ 835 mA / 12V @ 150 mA	Y
MPC-Y-15B22	DMPC-Y-15B42	5V @ 835 mA / 15V @ 130 mA	Y

WARRANTY

Pulse Specialty Components warrants for a period of 90 days from the date of shipment, that under normal use and service, its products will be free from defects in workmanship and material. Pulse Specialty Components' sole responsibility under this warranty is, at its option, to repair or replace, without charge, any defective product or part, or to credit buyer for the purchase price of such defective product, provided:

- 1) Buyer promptly notifies Pulse Specialty Components in writing within the warranty period, and
- 2) The defective product or part is returned to Pulse Specialty Components with transportation charges prepaid by Buyer, and
- 3) Pulse Specialty Components examination of such product shall disclose to its satisfaction that said defect exists and has not been caused by misuse, neglect, improper installation, repair or alteration, or accident.

EXCEPT FOR THE ABOVE WARRANTY AND THE IMPLIED WARRANTY OF TITLE, PULSE SPECIALTY COMPONENTS MAKES NO OTHER WARRANTIES, EXPRESS OR IMPLIED, INCLUDING ANY IMPLIED WARRANTY OF MERCHANTABILITY OR FITNESS FOR ANY PARTICULAR PURPOSE. NO LIABILITY IS ASSUMED FOR EXPENDABLE ITEMS SUCH AS LAMPS AND FUSES. PULSE SPECIALTY COMPONENTS WILL NOT BE LIABLE FOR INCIDENTAL OR CONSEQUENTIAL DAMAGES UNDER ANY CIRCUMSTANCES.



**SPECIALTY
COMPONENTS**