

## Ceramic Singlelayer Feed-Through Filters 200V<sub>DC</sub>

**DESIGN:**

$\pi$ -type feed-through filter solderable, threaded type

**RATED VOLTAGE U<sub>R</sub>:**

200V<sub>DC</sub> (140V<sub>RMS</sub>)

**DIELECTRIC STRENGTH BETWEEN LEADS:**

600V<sub>DC</sub> 1s

**DISSIPATION FACTOR tan  $\delta$ :**

$\leq 25 \cdot 10^{-3}$

**INSULATION RESISTANCE R<sub>is</sub>:**

$\geq 5 \cdot 10^9 \Omega$

**CATEGORY TEMPERATURE RANGE  $\vartheta_A$ :**

(- 25 to + 85)°C

**CLIMATIC TESTING CLASS ACC. TO EN 60068-1:**

40 / 085 / 21

**PERMISSIBLE REACTIVE POWER:**

5.0VAr

**PERMISSIBLE POWER LOSS:**

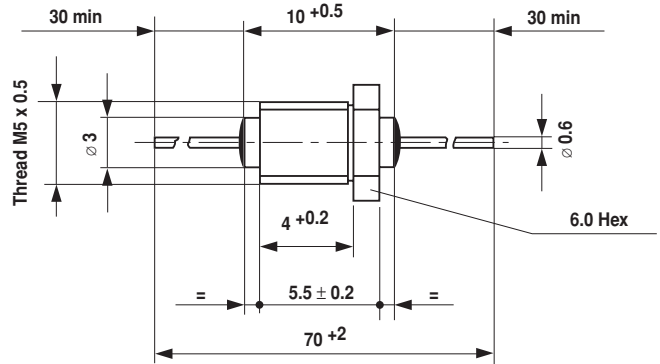
100mW

**DIRECT CURRENT I<sub>DC</sub>:**

6A

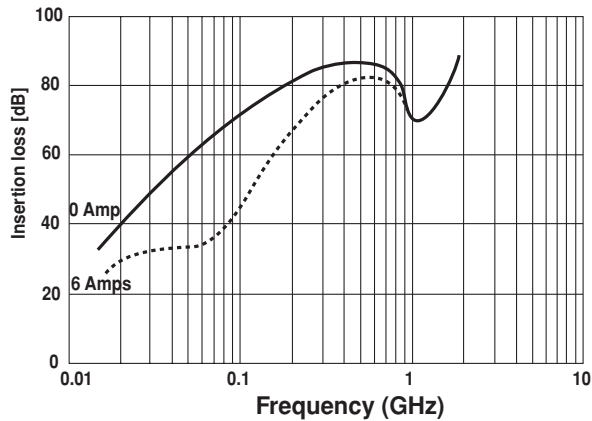
**MARKING:**

none



• Dimensions in mm

**Minimum insertion loss (dB)  
as a function of the frequency**



CLASS	CERAMIC DIELECTRIC	CAPACITANCE VALUE (pF)	TOLERANCE
2	R 6000	3000	- 0 + 100%

**ORDERING INFORMATION**

DDML 0310	200V <sub>DC</sub>	3000pF	- 0 + 100%	R 6000
-----------	--------------------	--------	------------	--------