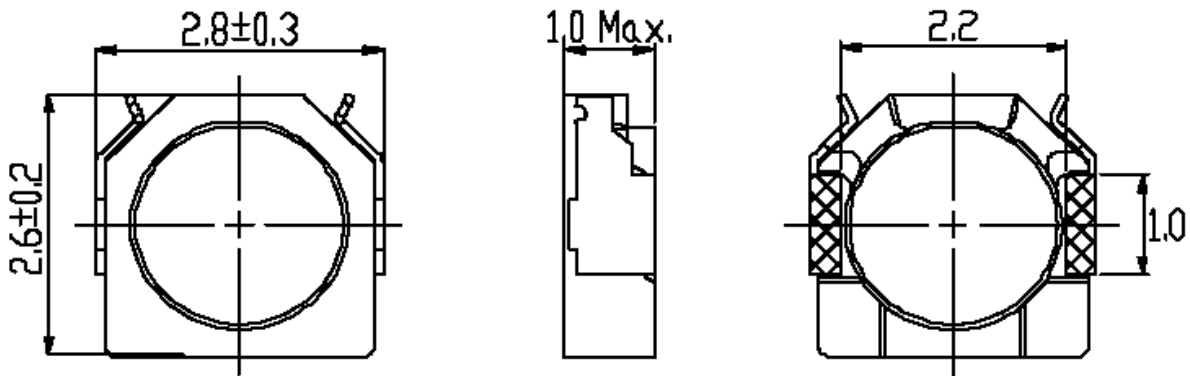
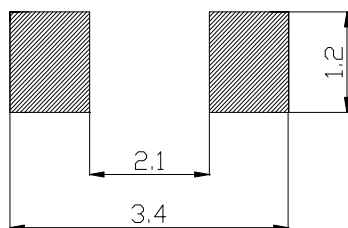


Type: CDRH26D09
◆ Product Description

- 3.1×2.8mm Max.(L×W),1.0mm Max.Height.
- Inductance range: 1.2~10 μ H.
- Rated current range: 0.45~1.32A.
- Custom design is available.


◆ Feature

- Magnetically shielded construction.
- Storage temperature range: -40°C ~+105°C.
- Operating temperature range: -40°C ~+105°C (Including coil's self temperature rise).
- Ideally used in Mobilephone,PDA,MP3,DSC/DVC etc as DC-DC converter inductors.
- Product weight: 0.0255g (Ref.).
- RoHS compliance and Halogen Free.

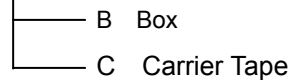
◆ Dimensions (mm)

◆ Land Pattern (mm)


Type: CDRH26D09
◆ Specification

Part Name ※	Stamp	Inductance (μ H) 100kHz/1V	D.C.R.(m Ω) Max.(Typ.) (at 20°C)	Saturation Current (A) ※1		Temperature Rise Current (A) ※2
				at 20°C	at 105°C	
CDRH26D09NP-1R2P□	A	1.2±25%	105(83.8)	1.32	1.08	1.45
CDRH26D09NP-1R5P□	B	1.5±25%	118(94.0)	1.21	1.00	1.30
CDRH26D09NP-2R2P□	C	2.2±25%	154(123)	1.05	0.88	1.00
CDRH26D09NP-3R3P□	D	3.3±25%	238(190)	0.80	0.67	0.85
CDRH26D09NP-4R7P□	E	4.7±25%	286(229)	0.66	0.56	0.72
CDRH26D09NP-6R8P□	F	6.8±25%	453(362)	0.55	0.45	0.58
CDRH26D09NP-8R2P□	G	8.2±25%	483(386)	0.50	0.42	0.54
CDRH26D09NP-100P□	H	10±25%	675(540)	0.47	0.40	0.45

※ Description of part name

CDRH26D09NP-1R2P□



※1.Saturation current: The DC current at which the inductance decreases to 70% of its nominal value.
(Ta=20°C)

※2.Temperature rise current: The DC current at which the temperature rise is $\Delta t=40^{\circ}\text{C}$ (Ta=20°C).