

Large Area InGaAs p-i-n Photodiode

Sheet 1 of 3

35PD3M-T0

The 35PD3M-T0, an InGaAs photodiode with a 3mm-diameter photosensitive packaged in a TO-5 header, is designed for applications in high sensitivity instrumentation and sensing. Devices are hermetically sealed. Class A devices feature very low dark current and high dynamic impedance. High reliability is achieved through planar semiconductor design and dielectric-passivation. Chips can also be attached and wire bonded to customer-supplied or other specified packages.



Features:

- Planar Structure
- Dielectric Passivation
- 100% Purge Burn-in
- High Responsivity

DEVICE CHARACTERISTICS

Parameters	Test Conditions	Minimum	Typical	Maximum	Units
Dark Current	Class A -0.3V		50		nA
Capacitance	0V		700		pF
Responsivity	1300nm		0.9		A/W
Responsivity	1500nm		1		A/W
Rise/Fall			175		ns
NEP	Class A		5×10^{-14}		WHz ^{-1/2}
NEP	Class B		2×10^{-13}		WHz ^{-1/2}
D*	Class A		4×10^{12}		cmHz ^{1/2} W ⁻¹
D*	ClassB		1.5×10^{12}		cmHz ^{1/2} W ⁻¹

ABSOLUTE MAXIMUM RATINGS

Reverse Voltage	2 Volts
Forward Current	100mA
Reverse Current	20mA
Operating Temperature	-40°C to +85°C
Storage Temperature	-40°C to +85°C
Soldering Temperature	250°C

Sheet 1 of 3

829 Flynn Road, Camarillo, CA 93012 • Phone: (805) 445-4500 • Fax: (805) 445-4502

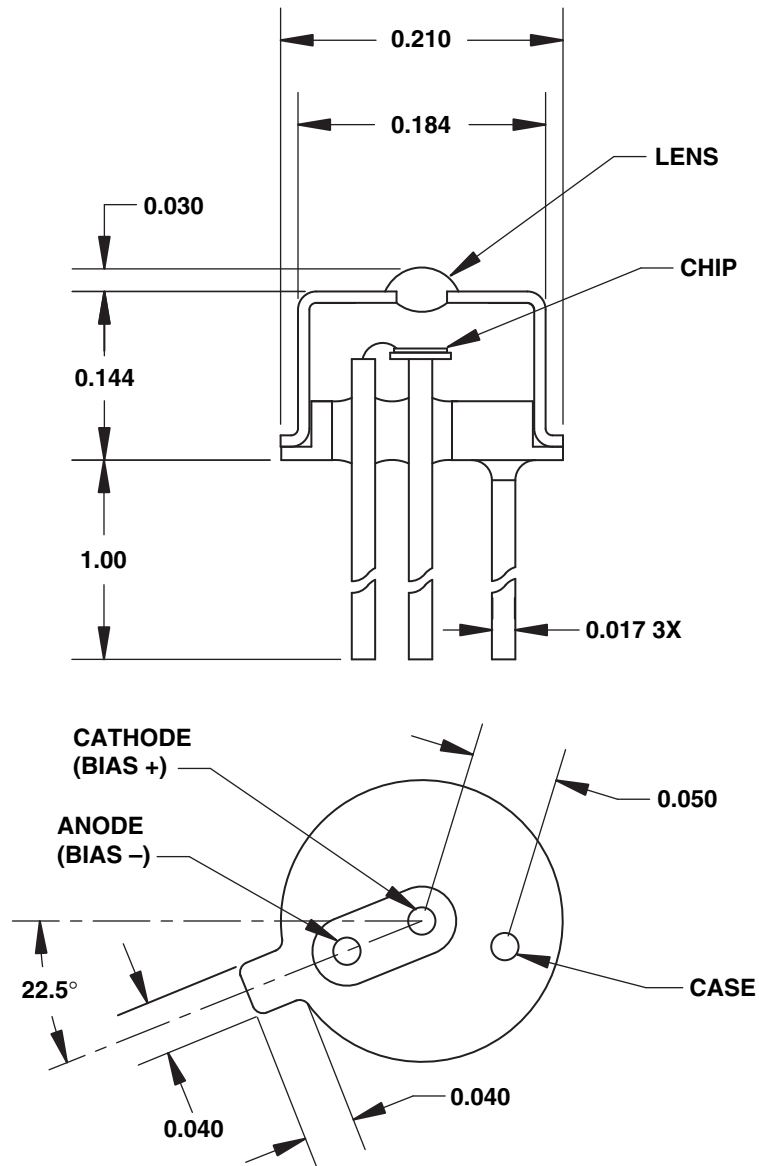
Email: customerservice@telcomdevices.com • Website: www.telcomdevices.com



Mechanical Specifications TO-46 Header Packages

Sheet 2 of 3

Standard TO-46 Lens



Custom packaging is also available.

Sheet 2 of 3

829 Flynn Road, Camarillo, CA 93012 • Phone: (805) 445-4500 • Fax: (805) 445-4502
Email: customerservice@telcomdevices.com • Website: www.telcomdevices.com

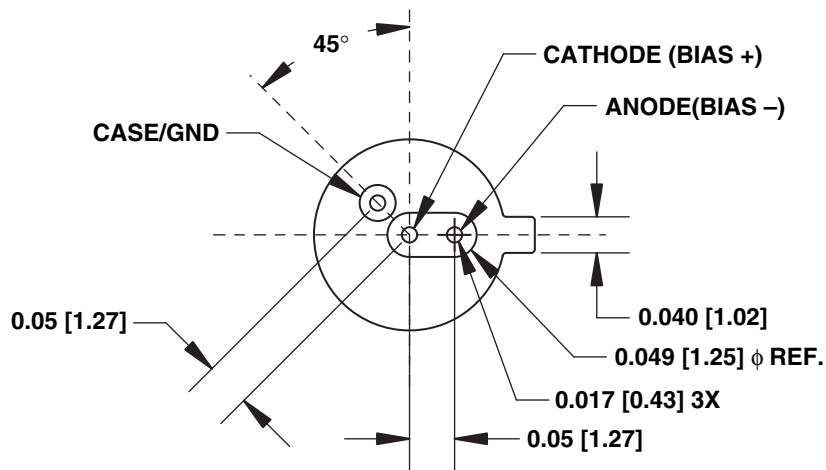
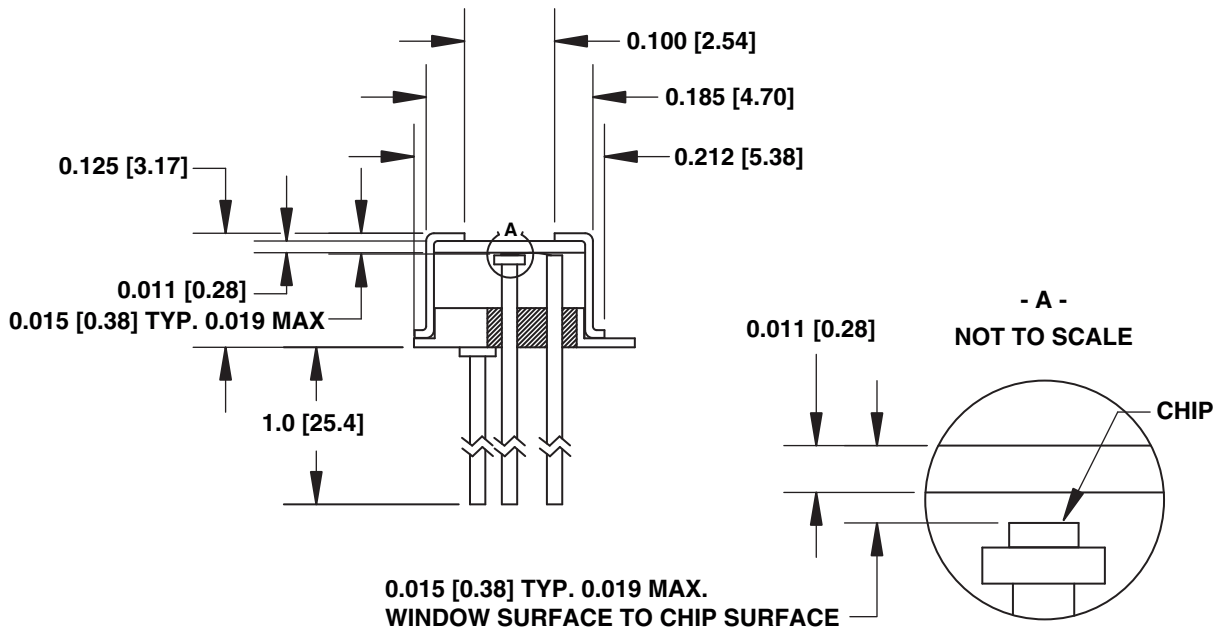


Mechanical Specifications

TO-46 Header Packages

Sheet 3 of 3

TO-46 Ultra Flat Window



Custom packaging is also available.

Sheet 3 of 3

829 Flynn Road, Camarillo, CA 93012 • Phone: (805) 445-4500 • Fax: (805) 445-4502
 Email: customerservice@telcomdevices.com • Website: www.telcomdevices.com

