

# Large Area InGaAs p-i-n Photodiode

Sheet 1 of 3

## 35PD1M-T0

The 35PD1M-T0, an InGaAs photodiode with a 1mm-diameter photosensitive packaged in a TO-46 header, is designed for applications in high sensitivity instrumentation and sensing. Devices are hermetically sealed. Low dark current and high dynamic impedance are featured. High reliability is achieved through planar semiconductor design and dielectric-passivation. Chips can also be attached and wire bonded to customer-supplied or other specified packages.



### Features:

- Planar Structure
- Dielectric Passivation
- 100% Purge Burn-in
- High Responsivity

### DEVICE CHARACTERISTICS

Parameters	Test Conditions	Minimum	Typical	Maximum	Units
Dark Current	Class A -1V			2	nA
Dark Current	Class B			100	nA
Dark Current	Class C			1	nA
Capacitance	0V		150		pF
Responsivity	1300nm		0.9		A/W
Responsivity	1500nm		1		A/W
Rise/Fall				15	ns
Dynamic Impedance	Class A	50			M Ohms
Dynamic Impedance	Class B	1			M Ohms
Dynamic Impedance	Class C	0.15			M Ohms

### ABSOLUTE MAXIMUM RATINGS

Reverse Voltage	15 Volts
Forward Current	100mA
Reverse Current	20mA
Operating Temperature	-40°C to +85°C
Storage Temperature	-40°C to +85°C
Soldering Temperature	250°C

Sheet 1 of 3

829 Flynn Road, Camarillo, CA 93012 • Phone: (805) 445-4500 • Fax: (805) 445-4502  
Email: [customerservice@telcomdevices.com](mailto:customerservice@telcomdevices.com) • Website: [www.telcomdevices.com](http://www.telcomdevices.com)

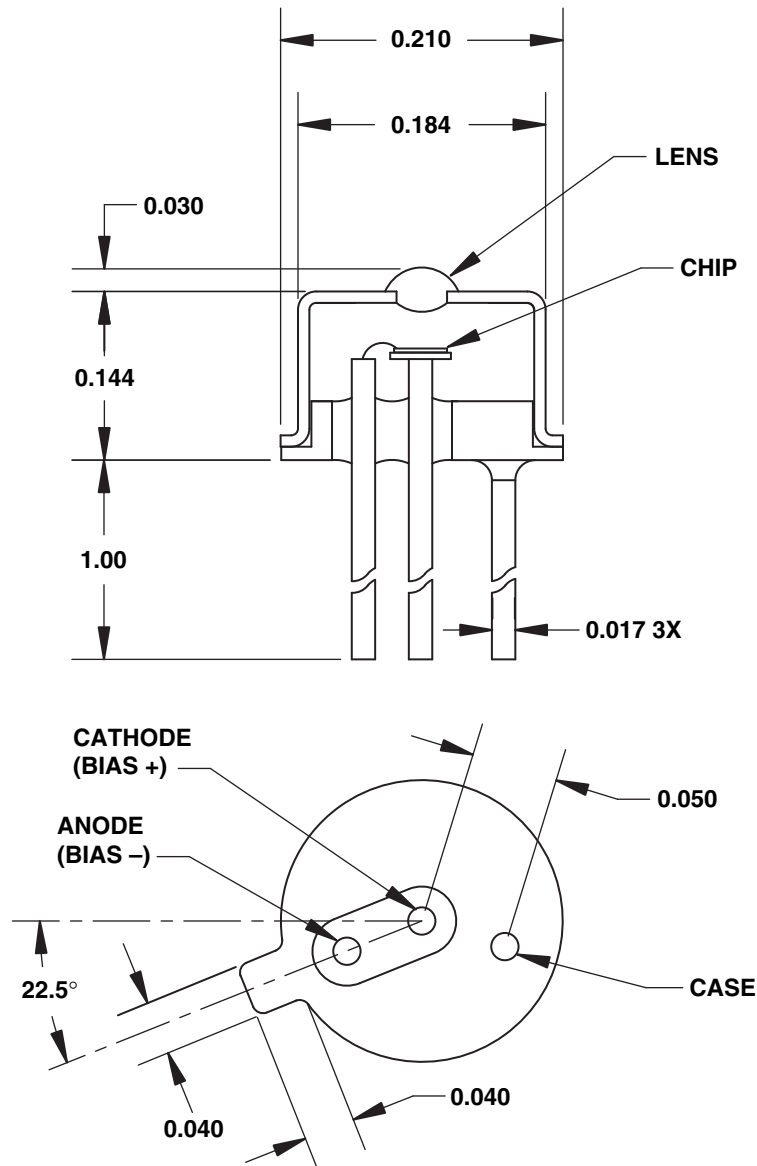


**Telcom Devices Corp.**

# Mechanical Specifications TO-46 Header Packages

Sheet 2 of 3

## Standard TO-46 Lens



Custom packaging is also available.

Sheet 2 of 3

829 Flynn Road, Camarillo, CA 93012 • Phone: (805) 445-4500 • Fax: (805) 445-4502  
Email: [customerservice@telcomdevices.com](mailto:customerservice@telcomdevices.com) • Website: [www.telcomdevices.com](http://www.telcomdevices.com)

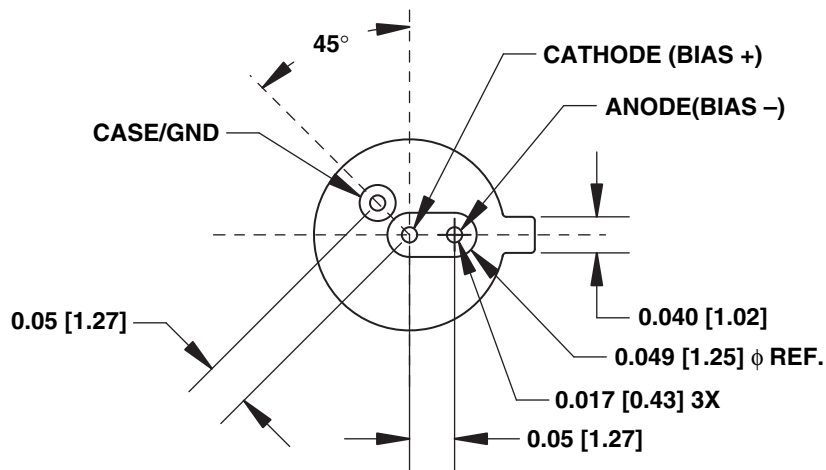
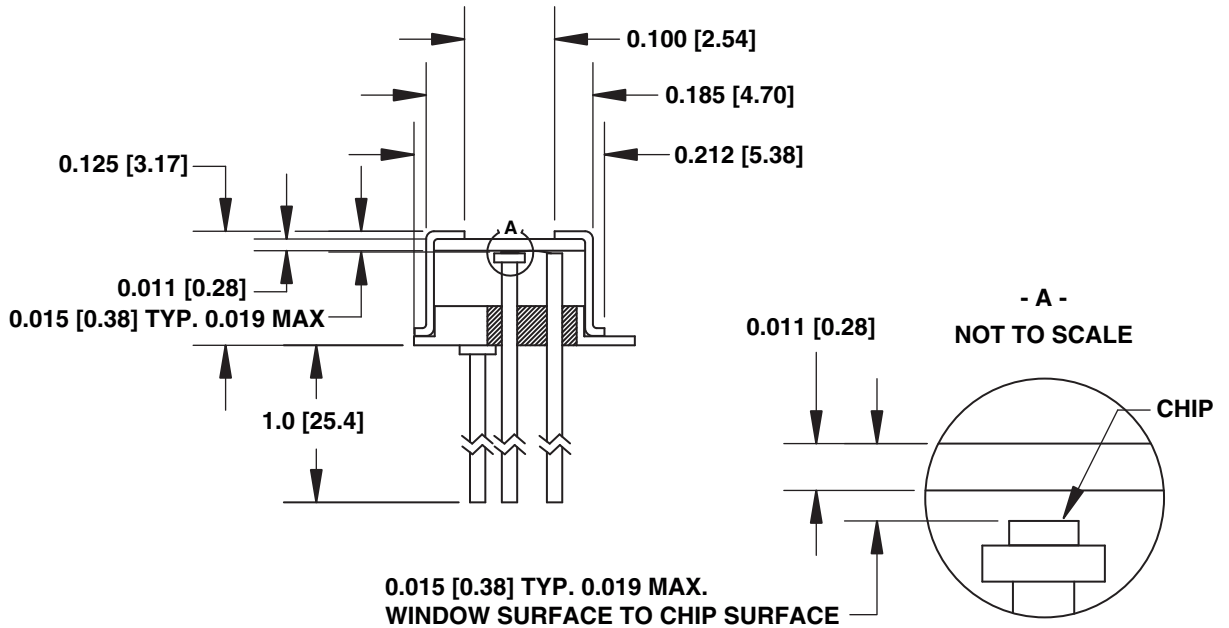


# Mechanical Specifications

## TO-46 Header Packages

Sheet 3 of 3

### TO-46 Ultra Flat Window



Custom packaging is also available.

Sheet 3 of 3

829 Flynn Road, Camarillo, CA 93012 • Phone: (805) 445-4500 • Fax: (805) 445-4502  
 Email: [customerservice@telcomdevices.com](mailto:customerservice@telcomdevices.com) • Website: [www.telcomdevices.com](http://www.telcomdevices.com)

