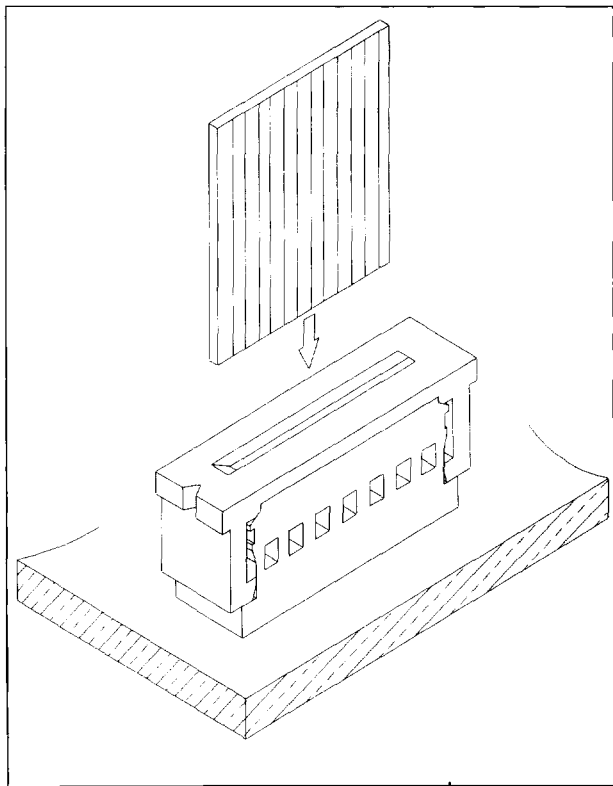


Features


- ◆ Available in 4 through 32 circuits(1255)
- ◆ Available in 24 circuits(1256)
- ◆ Insulator: UL94V-0 PBT(1255)
- ◆ Insulator: PBT+30% glass fiber UL94V-0(1256)
- ◆ Contact: Phosphor bronze
- ◆ Plating: Tin plated
- ◆ Applicable FPC and FFC :
Thickness 0.3mm(.012")



Specifications

- ◆ Current rating: 1A AC,DC
- ◆ Voltage rating: 200V AC,DC
- ◆ Temperature rating: -20°C ~ + 85°C
- ◆ Contact resistance: 20mΩ max.
- ◆ Insulation resistance: 500MΩ min.
- ◆ Withstanding voltage: 500V AC /minute
- ◆ Applicable PC board thickness: 1.6mm

Standards

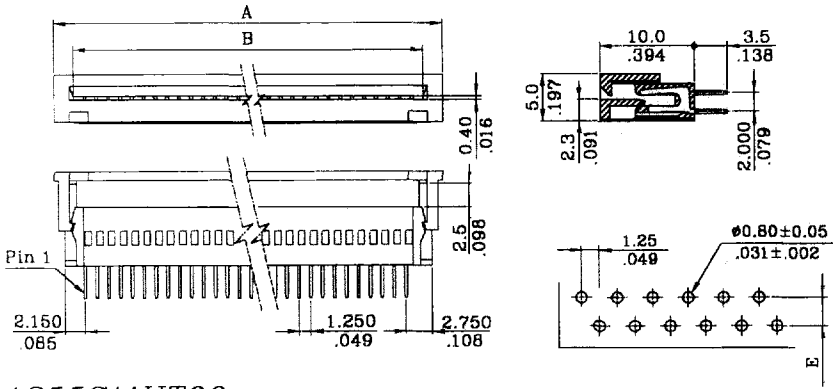
 Recognized No. E82349(1255)

1255 Series 1.25mm(.049") Z.I.F. FPC Connector



1255S**VT00

Unit : $\frac{\text{mm}}{\text{inch}}$

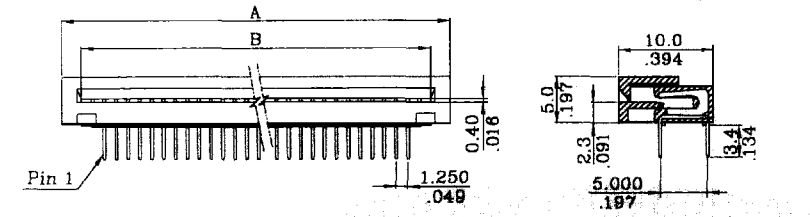


Ordering Information:

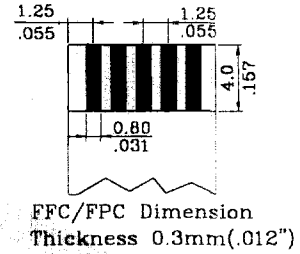
1255S	**	*	T	00
1	2	3	4	5

1. Series No.
2. No. of circuit (4 through 32)
3. V : Straight (Dim.E=2.00)
H : Right angle (Dim.E=5.00)
4. Plating : Tin plated 120 μ min. over 30 ~ 50 μ nickel overall
5. Special options

1255S**HT00



RECOMMENDED HOLE PATTERN



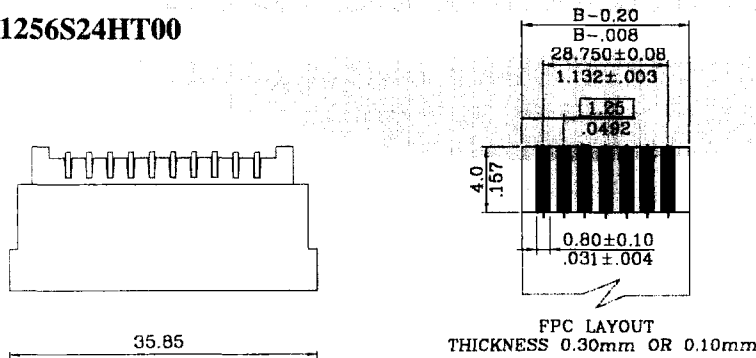
A = (No. of contact * 1.25mm) + 5.7mm
 B = (No. of contact * 1.25mm) + 1.57mm

1256 Series 1.25mm(.049") Z.I.F. FPC Connector



1256S24HT00

Unit : $\frac{\text{mm}}{\text{inch}}$



Ordering Information:

1256S	**	H	T	00
1	2	3	4	5

1. Series No.
2. No. of circuits
3. H = Right Angle
4. Plating : 120 μ min. Tin/Lead over 50 μ nickel.
5. Special options

