

NEW

New ValuLine® Low Profile Antennas for Applications Operating at 22 to 38 GHz

ValuLine® VHLP low profile 0.3 meter (1 ft) and 0.6 meter (2 ft) antennas are designed to satisfy the demands of cellular, PCS and Private User Networks worldwide.

The Andrew ValuLine® LP Series of antennas offers an extremely low profile reducing the visual impact on the environment and can be painted to match the surroundings of the installation. In reducing the size of the antenna Andrew has ensured that electrical performance of the antenna meets or exceeds the requirements of regulatory bodies worldwide for high performance antennas.

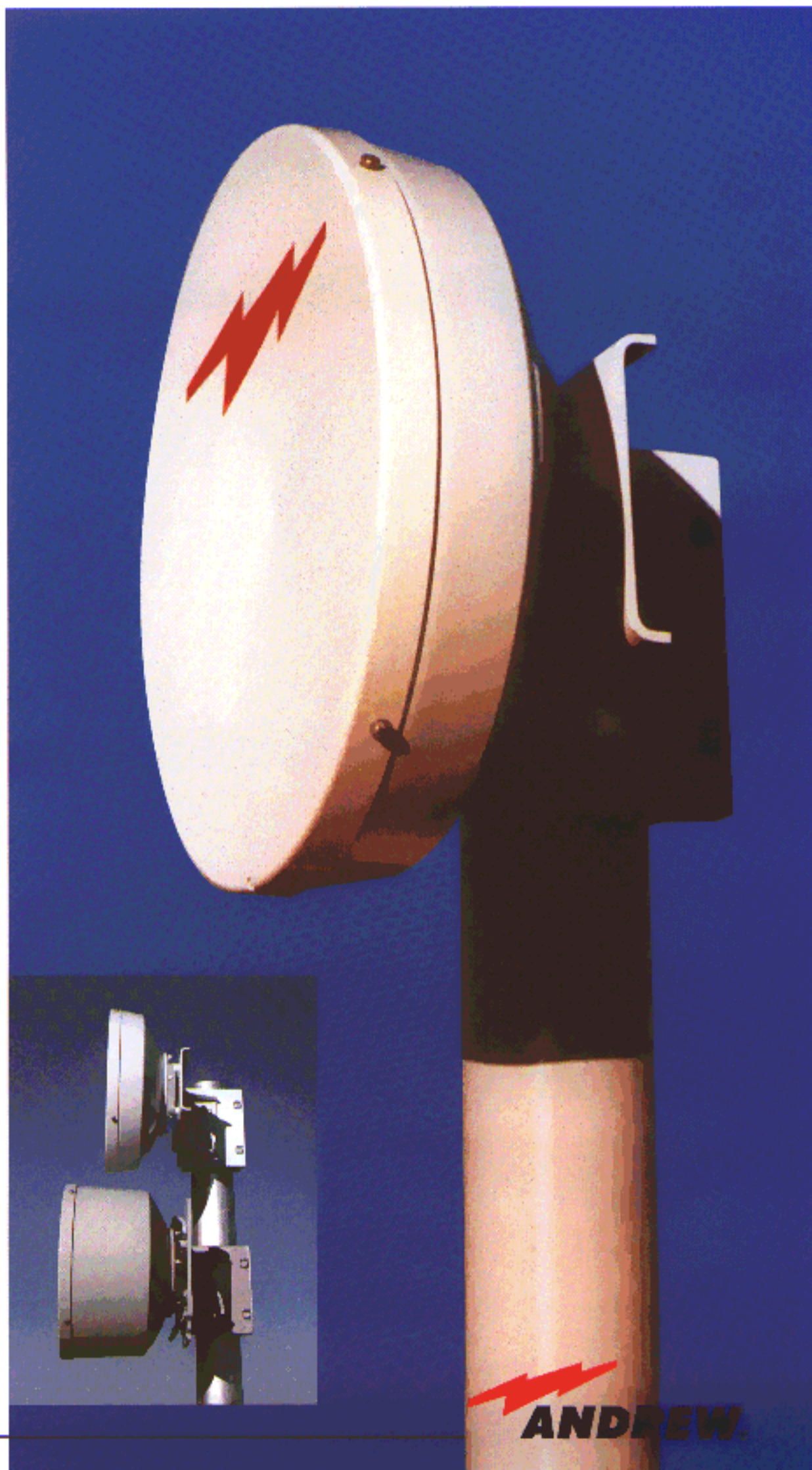
These cost effective small diameter high frequency antennas can be customized for direct integration with OEM radio systems. In fact, Andrew has worked closely with radio manufacturers around the world to produce integrated antenna radio systems complete with customized mounting accessories that accommodate a variety of installation configurations.

ValuLine antennas are fabricated from aluminum with galvanized mount components and stainless steel hardware to ensure long-term performance regardless of the environment.

- Available in the 22, 26, 28 and 38 GHz frequency bands
- Compliant with all FCC, U.K. Radio Communications Authority and European Telecommunication Standards Institute performance specifications and Germany's BAPT regulations
- LP Series antennas significantly reduce wind loading on towers and support structures
- Shipping costs are dramatically reduced

Fast, Dependable Delivery

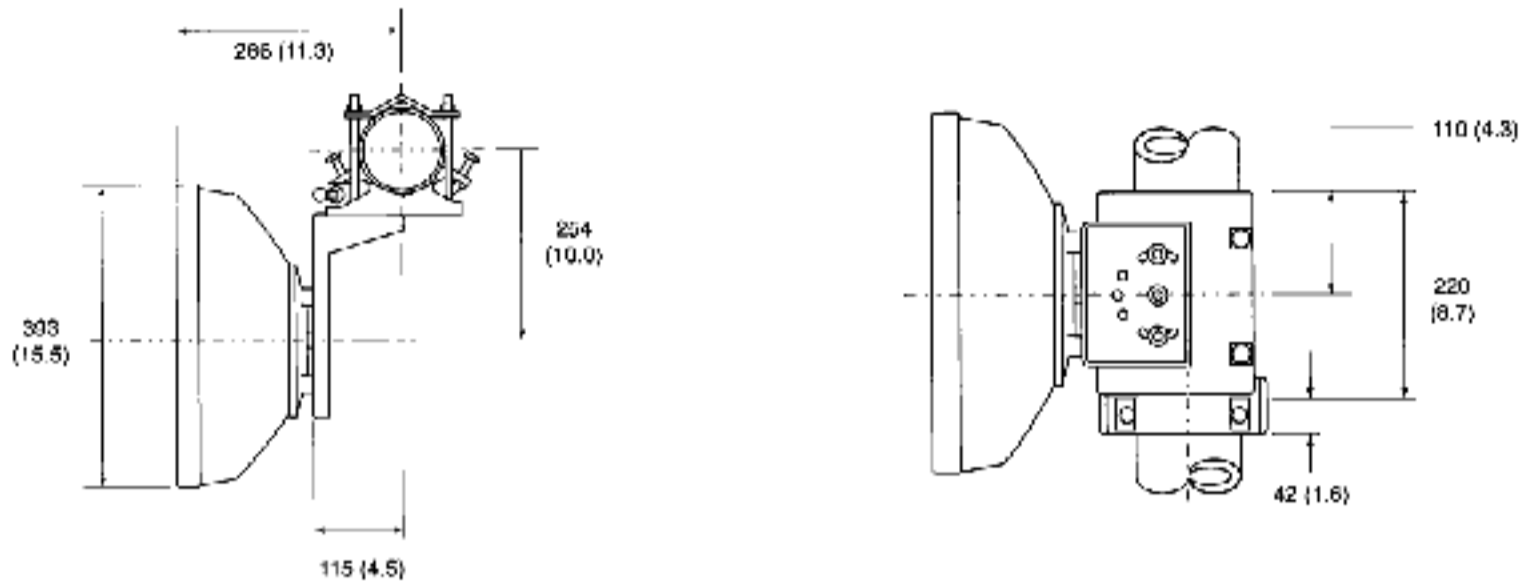
With Andrew ValuLine facilities on four continents with locations at Denton, Texas, Lochgelly, Scotland, Melbourne, Australia and Sorocaba, Brazil you can be assured of prompt delivery of your ValuLine Low Profile antennas. For more information, contact Andrew.



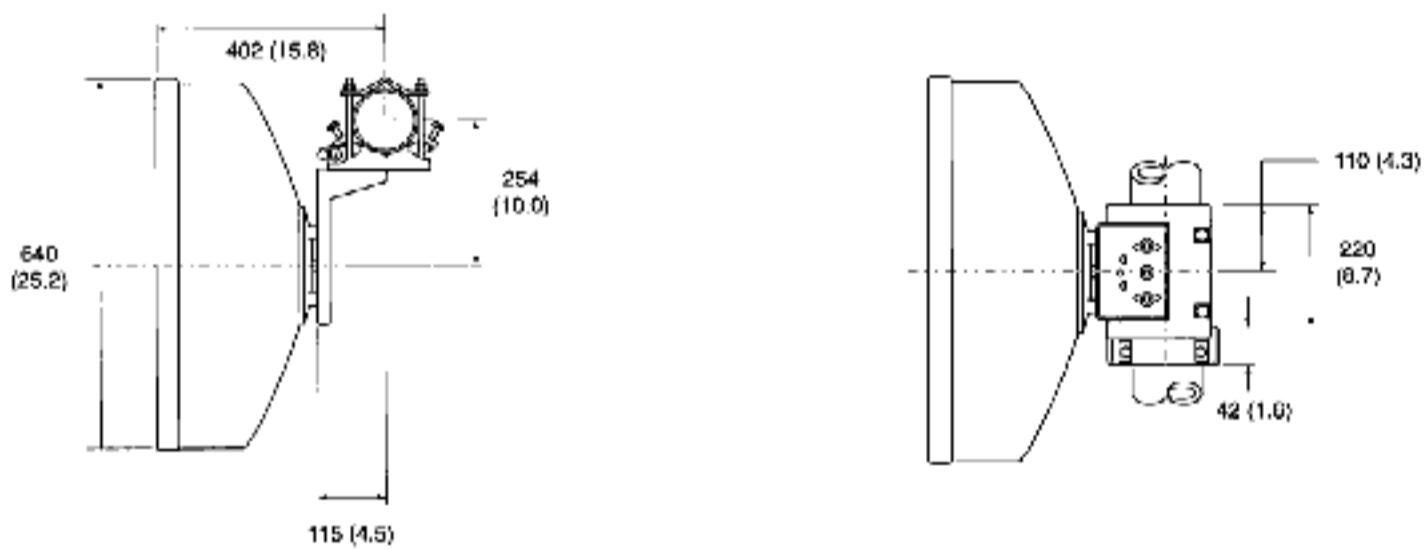
ANDREW

NEW

VHLP1 Antenna



VHLP2 Antenna



ValuLine® LP Series Antennas

Type Number	Diameter ft (m)	Frequency GHz	Gain (dBi)			Beamwidth (degs)	Cross Pol. Disc. dB	F/B Ratio dB	VSWR max. (RL, dB)
			Bottom	Middle	Top				
VHLP1-220	1 (0.3)	21.2 - 23.6	34.4	34.9	35.4	2.8	30	61	1.3 (17.7)
VHLP2-220	2 (0.6)	21.2 - 23.6	39.6	40.1	40.6	1.6	30	66	1.3 (17.7)
VHLP1-240	1 (0.3)	24.25 - 26.5	35.6	36	36.4	2.5	30	62	1.3 (17.7)
VHLP2-240	2 (0.6)	24.25 - 26.5	40.7	41.1	41.5	1.4	30	67	1.3 (17.7)
VHLP1-275	1 (0.3)	27.5 - 29.5	36.6	36.9	37.2	2.2	30	63	1.3 (17.7)
VHLP2-275	2 (0.6)	27.5 - 29.5	41.6	41.9	42.2	1.2	30	68	1.3 (17.7)
VHLP1-370	1 (0.3)	37.0 - 40.0	39.4	39.7	40	1.7	30	60	1.3 (17.7)
VHLP2-370	2 (0.6)	37.0 - 40.0	44.2	44.5	44.8	1	30	63	1.3 (17.7)



Andrew Corporation
 10500 W. 153rd Street
 Orland Park, IL 60462 USA
 Telephone:
 From North America: 1-800-255-1479
 International: (708) 873-2307
 Fax: (708) 349-5444

Fax-On-Demand
 From North America: 1-800-861-1700
 International: (708) 873-3814
 Internet: <http://www.andrew.com>

All designs, specifications and availabilities of products and services presented in this bulletin are subject to change without notice.