

100mA CMOS LDO Regulator

features

- Guaranteed 100 mA Output
- Fixed Outputs: 2.7V, 2.85V, 3.0V, 3.3V, 5V
- 2.5% Output Voltage Accuracy
- Low Dropout Voltage, 200 mV at 100mA
- Low Quiescent Current, 65µA
- Low Ground Current, 135µA @ IL = 100 mA
- Short-Circuit Current Limit
- Thermal Shutdown
- Good Load and Line Regulation
- Fast Transient Response
- Low Temperature Coefficient
- Stable with No Load Using 0.47µF and 1µF Ceramic
- Industry Standard SC-70 Packages
- Pin – Compatible Replacement for MIC5213

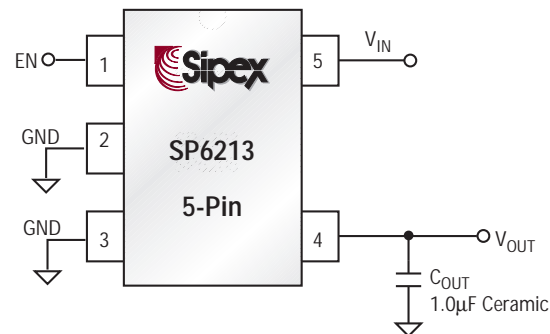
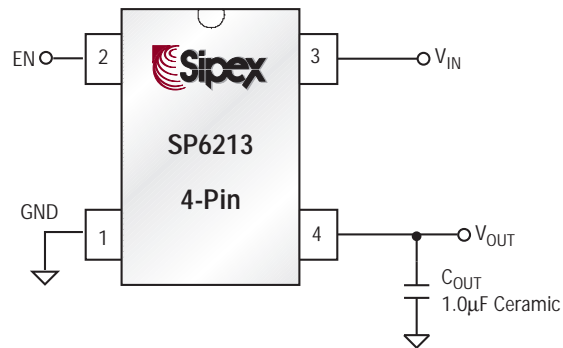
applications

- Cellular Phones
- Digital Cordless Phones
- Laptops, Notebook and Palmtop Computers
- Battery-Powered Equipment
- Medical Devices
- High Efficiency Linear Power Supplies
- Wideband CDMA Handsets

description

The SP6213 is a CMOS linear voltage regulator with low dropout voltage, ground current and quiescent current. It is designed specifically for hand-held, battery-powered devices. The SP6213 includes an enable/shutdown control pin and comes in industry standard SC-70 packages. Regulator ground current increases only slightly in dropout, to further prolonging battery life.

typical application circuits



SP6213

pin number		name	description
4-pin	5-pin		
1	2,3	GND	Ground Connection
2	1	EN	Enable/Shutdown (Logic high = enable, logic low = shutdown)
3	5	V _{IN}	Supply Input
4	4	V _{OUT}	Regulator Output

P

ordering information - *Please consult the factory for pricing and availability on a Tape-On-Reel option.*

Part Number	Temperature Range	Package Type
SP6213EC4-3.0	-40°C to +125°C	SC-70-4
SP6213EC5-3.0	-40°C to +125°C	SC-70-5