

Snubber MKP Capacitors for Pulse Applications with Double-Sided Metallized Electrodes, Schoopage Contacts and Internal Series Connection

Special Features

- Pulse duty construction
- Self-healing
- Particularly reliable contact-configurations: 4-lead versions and screwable plate connections
- Internal series connection from 400 VAC
- Very low dissipation factor
- Negative capacitance change versus temperature
- According to RoHS 2002/95/EC

Typical Applications

- For high pulse and high frequency applications requiring extremely reliable contacts e.g.
- IGBT-applications

Construction

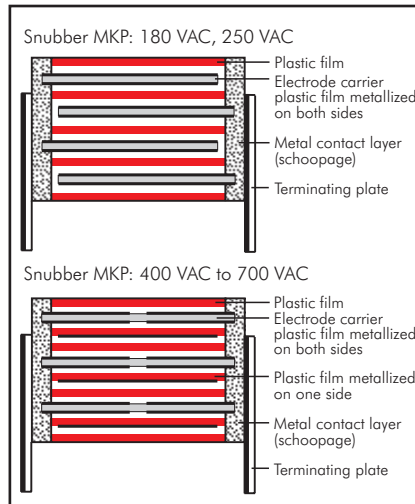
Dielectric:

Polypropylene (PP) film

Capacitor electrodes:

Double-sided metallized plastic film

Internal construction:



Encapsulation:

Solvent-resistant, flame-retardant plastic case with epoxy resin seal, UL 94 V-0

Terminations:

Tinned wire or plates.

Marking:

Colour: Red. Marking: Black.
Epoxy resin seal: Red

Electrical Data

Capacitance range:

0.047 μ F to 25 μ F

Rated voltages:

250 VDC, 400 VDC, 630 VDC, 1000 VDC, 1600 VDC, 2000 VDC, 3000 VDC

Capacitance tolerances:

$\pm 20\%$, $\pm 10\%$, $\pm 5\%$ (other tolerances are available subject to special enquiry)

Operating temperature range:

-55°C to $+100^\circ\text{C}$

Climatic test category:

55/100/56 in accordance with IEC

Insulation resistance at $+20^\circ\text{C}$:

$C \leq 0.33 \mu\text{F}$: $\geq 1 \times 10^5 \text{ M}\Omega$

(mean value: $5 \times 10^5 \text{ M}\Omega$)

$C > 0.33 \mu\text{F}$: $\geq 30\,000 \text{ sec (M}\Omega \times \mu\text{F)}$

(mean value: 100 000 sec)

Measuring voltage: 100 V/1 min.

Test voltage:

$L < 41.5$: $1.6 U_r$, 2 sec

$L = 41.5$: $1.4 U_r$, 2 sec

$L = 56$: $1.2 U_r$, 2 sec

Dissipation factors at $+20^\circ\text{C}$: $\tan \delta$

at f	$C \leq 0.1 \mu\text{F}$	$0.1 \mu\text{F} < C \leq 1.0 \mu\text{F}$	$C > 1.0 \mu\text{F}$
1 kHz	$\leq 3 \times 10^{-4}$	$\leq 3 \times 10^{-4}$	$\leq 3 \times 10^{-4}$
10 kHz	$\leq 4 \times 10^{-4}$	$\leq 6 \times 10^{-4}$	-
100 kHz	$\leq 15 \times 10^{-4}$	-	-

Maximum pulse rise time:

Capacitance μF	max. pulse rise time V/ μsec at $T_A < 40^\circ\text{C}$						
	250 VDC	400 VDC	630 VDC	1000 VDC	1600 VDC	2000 VDC	3000 VDC
0.047 ... 0.22	500	500	900	1400	1400	1400	1400
0.33 ... 0.68	300	400	700	900	900	900	900
1.0 ... 2.2	200	200	400	400	500	500	500
2.5 ... 6.0	80	100	150	300	400	-	-
7.0 ... 10	50	70	75	-	-	-	-
15 ... 25	10	20	-	-	-	-	-

for pulses equal to the rated voltage

Mounting Recommendation

Excessive mechanical strain, e.g. pressure or shock onto the capacitor body, is to be avoided during mounting and usage of the capacitors. When fixing the plates the screw torque is to be limited to max. 5 Nm.

Packing

Transportation-safe packing in cardboard boxes.

For further details and graphs please refer to Technical Information.

Voltage derating:

A voltage derating factor of 1.35 % per K must be applied from $+85^\circ\text{C}$ for DC voltages and from $+75^\circ\text{C}$ for AC voltages

Reliability:

Operational life $> 300\,000$ hours
Failure rate < 1 fit ($0.5 \times U_r$ and 40°C)

Specific dissipation:

Box size* WxHxL in mm	Specific dissipation in Watts per K above the ambient temperature
19x31x56	0.068
23x34x56	0.079
27x37.5x56	0.092
33x48x56	0.122
37x54x56	0.142

* other box sizes see page 12.

Continuation

General Data

Capacitance	250 VDC/180 VAC*			400 VDC/250 VAC*			630 VDC/400 VAC*			1000 VDC/600 VAC*			1600 VDC/650 VAC*			2000 VDC/700 VAC*			3000 VDC/700 VAC*					
	W	H	L	W	H	L	W	H	L	W	H	L	W	H	L	W	H	L	W	H	L			
0.047 μ F										7	16.5	26.5	10.5	19	26.5	10.5	19	26.5	11	21	26.5	11	21	26.5
0.068 "																								
0.1 μ F	5	11	18	7	14	18	7	16.5	26.5	8.5	18.5	26.5	11	21	26.5	13	24	31.5	15	26	31.5	15	26	31.5
0.15 "	6	12.5	18	8	15	18	8.5	18.5	26.5	11	21	26.5	13	24	31.5	15	26	31.5	15	26	31.5	15	26	31.5
0.22 "	7	14	18	7	16.5	26.5	10.5	19	26.5	11	21	31.5	15	26	31.5	17	34.5	31.5	19	32	41.5	19	32	41.5
0.33 "	8	15	18	8.5	18.5	26.5	11	21	26.5	15	26	31.5	17	34.5	31.5	19	32	41.5	19	32	41.5	19	32	41.5
0.47 "	7	16.5	26.5	10.5	19	26.5	11	21	31.5	17	29	31.5	19	32	41.5	20	39.5	41.5	27	37.5	56	27	37.5	56
0.68 "	8.5	18.5	26.5	11	21	31.5	15	26	31.5	17	29	41.5	20	39.5	41.5	24	45.5	41.5	33	48	56	33	48	56
1.0 μ F	11	21	26.5	13	24	31.5	17	29	31.5	20	39.5	41.5	24	45.5	41.5	33	48	56	33	48	56	33	48	56
1.5 "	13	24	31.5	17	29	31.5	19	32	41.5	24	45.5	41.5	31	46	41.5	33	48	56	37	54	56	37	54	56
2.0 "	15	26	31.5	17	29	41.5	20	39.5	41.5	31	46	41.5	33	48	56	37	54	56						
2.2 "	13	24	41.5							23	34	56												
2.5 "	15	26	41.5							27	37.5	56												
3.0 "	15	26	41.5							27	37.5	56												
3.3 "	17	29	31.5	19	32	41.5	24	45.5	41.5	33	48	56	37	54	56									
4.0 "	15	26	41.5							31	46	41.5	33	48	56									
4.7 "	17	34.5	31.5	20	39.5	41.5	24	45.5	41.5	33	48	56	37	54	56									
5.0 "	17	34.5	31.5	20	39.5	41.5	24	45.5	41.5	33	48	56	37	54	56									
6.0 "	19	32	41.5	24	45.5	41.5	31	46	41.5	37	54	56												
7.0 "	19	32	41.5	24	45.5	41.5	31	46	41.5	37	54	56												
8.0 "	20	39.5	41.5	24	45.5	41.5	31	46	41.5	37	54	56												
10.0 μ F	20	39.5	41.5	31	46	41.5	33	48	56															
15.0 "	24	45.5	41.5	31	46	41.5	33	48	56															
20.0 "	24	45.5	41.5	33	48	56																		
25.0 "	24	45.5	41.5	33	48	56																		

* AC voltage:
 $f \leq 1000 \text{ Hz}; 1.4 \times U_{\text{rms}} + \text{UDC} \leq U_r$

New values

On ordering please state the required version and box size.

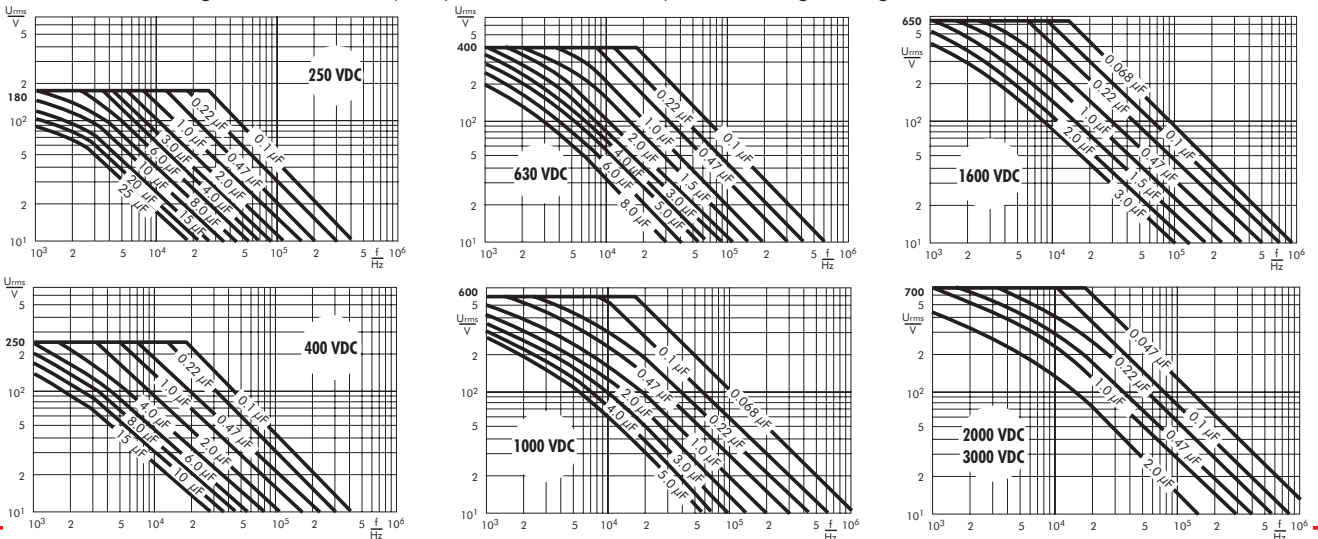
Versions and dimensional drawings see page 82.

Dims. in mm.

Ionisation inception level in isolated cases may be lower than admissible rated AC voltage.

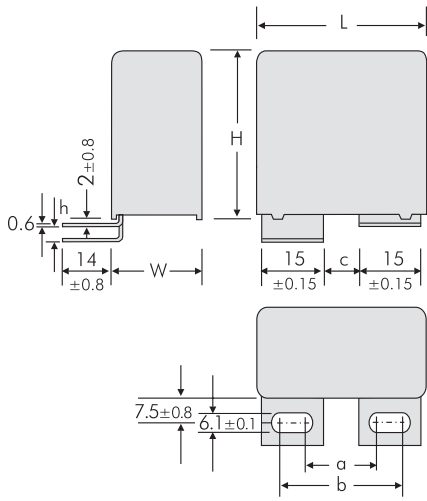
Rights reserved to amend design data without prior notification.

Permissible AC voltage in relation to frequency at 10° C internal temperature rise (general guide).

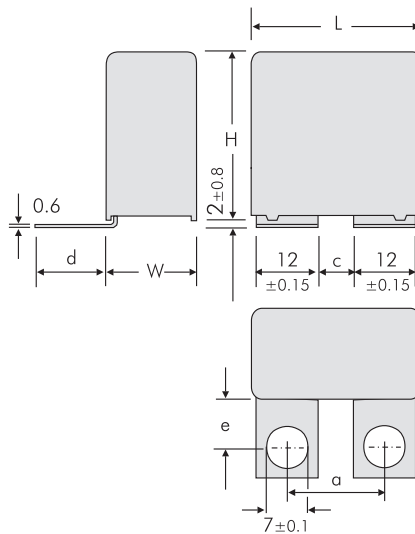




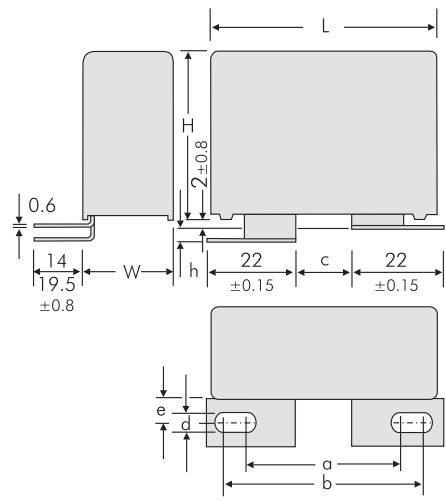
Versions of WIMA Snubber- and DC-LINK MKP 4 Capacitors



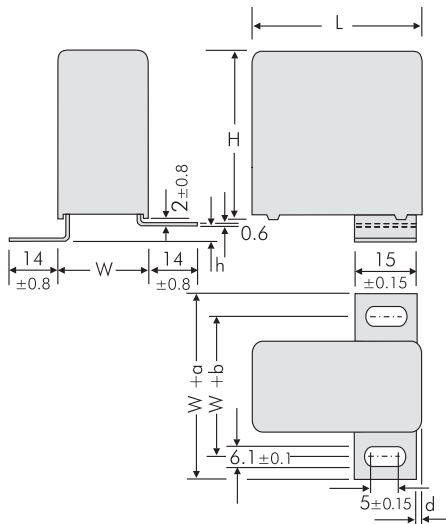
Version	L	a ±0.5	b ±0.5	c ±0.5	h ±0.8
A1	41.5	17.5	27.5	7.5	0
A1.5	41.5	17.5	27.5	7.5	3.5
A1	56	20	30	10	0
A1.1.1	56	28	38	18	0
A1.4	56	20	30	10	3.5
A1.4.1	56	28	38	18	3.5



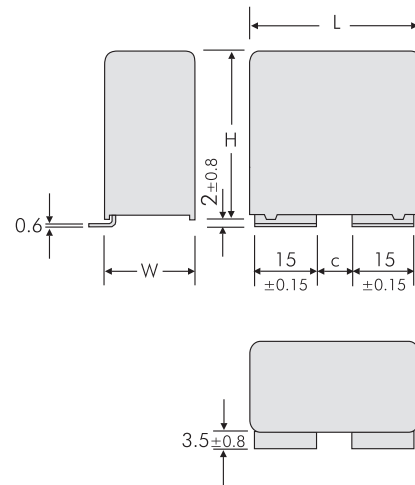
Version	L	a ±0.5	c ±0.5	d ±0.8	e ±0.8
A1.6	41.5	18	6	21.5	16
A1.6.1	41.5	22	10	18.5	13
A1.6	56	29	17	21.5	16



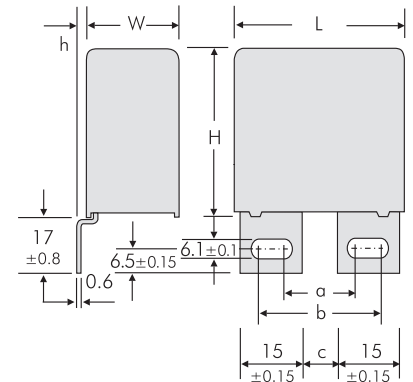
Version	L	a ±0.5	b ±0.5	c ±0.5	d ±0.1	e ±0.8	h ±0.8
A2	41.5	40.5	46.5	14.5	8.4	7.5	0
A2.2	41.5	31	37	5	8.4	7.5	3.5
A2.3	41.5	31	37	5	8.4	13	3.5
A2.4	41.5	33.5	39.5	7.5	8.4	13	3.5
A2.4.1	41.5	33.5	39.5	7.5	8.4	13	0
A2.5	41.5	29.5	39.5	5.5	6.1	7.5	3.5
A2.6	41.5	31.5	41.5	7.5	6.1	13	3.5
A2.6.1	41.5	31.5	41.5	14	6.1	13	3.5
A2.6.2	41.5	31.5	41.5	14	6.1	13	0
A2.8	41.5	40.5	46.5	14.5	8.4	7.5	3.5
A2.1	56	39.5	45.5	13.5	8.4	7.5	0
A2.7	56	39.5	45.5	13.5	8.4	7.5	3.5



Version	L	d ±1.0	h ±0.8	a ±0.8	b ±0.8	W
A1.3.1	31.5	2	0	47	34	19
A1.3.2	31.5	2	3.5	47	34	19
A1.2	41.5	2	3.5	47	34	19
A1.8	41.5	2	0	47	34	19
A1.8.1	41.5	2	0	56	43	28
A1.8.2	41.5	2	3.5	56	43	28

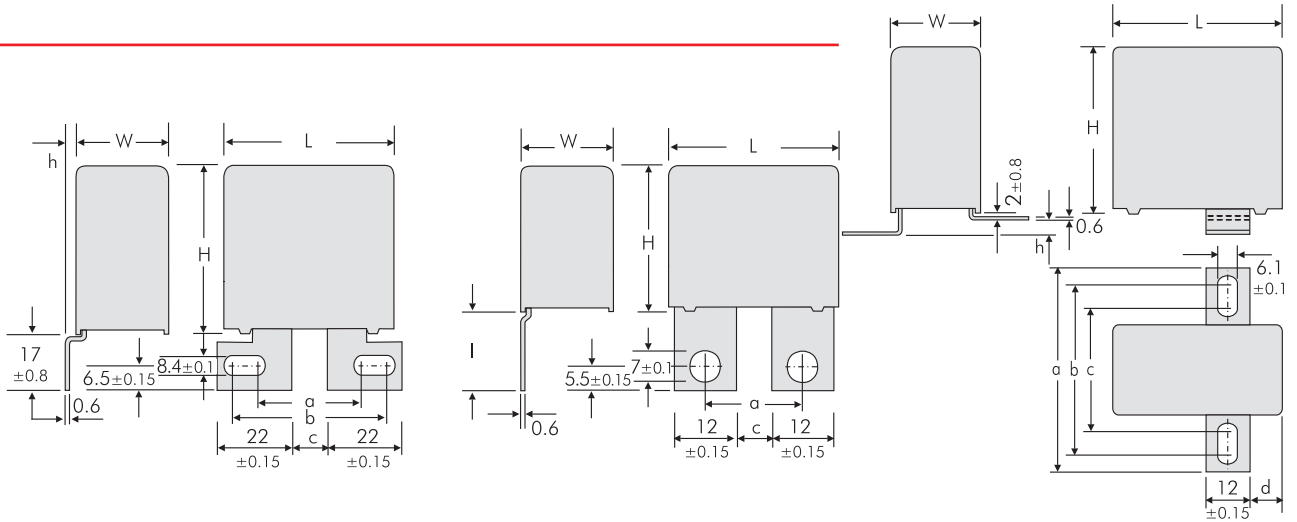


Version	L	c ±0.5
A1.7	41.5	7.5
A1.7	56	10
A1.7.1	56	18



Version	L	a ±0.5	b ±0.5	c ±0.5	h ±0.8
A3	41.5	17.5	27.5	7.5	0
A3.5	41.5	17.5	27.5	7.5	3
A3	56	20	30	10	0
A3.1	56	28	38	18	0
A3.5	56	20	30	10	3
A3.10	56	28	38	18	3

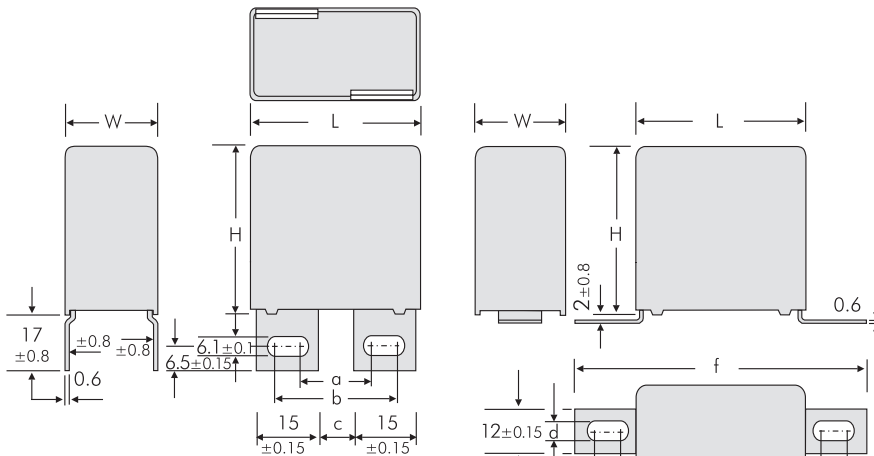
Versions of WIMA Snubber and DC-LINK MKP 4 Capacitors



Version	L	a ±0.5	b ±0.5	c ±0.5	h ±0.8
A3.9	41.5	40.5	46.5	14.5	0
A3.11	41.5	40.5	46.5	14.5	3
A3.2	56	40.5	46.5	14.5	0
A3.3	56	40.5	46.5	14.5	3

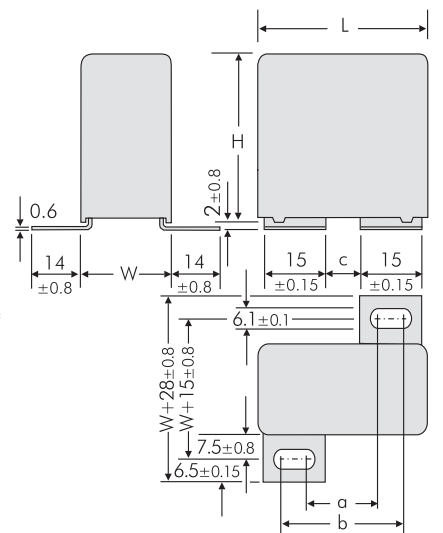
Version	L	a ±0.5	c ±0.5	l ±0.8
A3.8	41.5 W ≥ 17	18	6	23
A3.8.1	41.5 W ≥ 17	22	10	17.5

Version	L	a ±0.8	b ±0.8	c ±0.8	d ±1.0	h ±0.8	W
A4.3	31.5	57	47	31	1	3.5	19
A4.4	31.5	57	47	31	1	0	19
A4.6	31.5	44.6	34.6	31.6	1	3.5	19
A4.8	31.5	44.6	34.6	31.6	1	0	19
A4.1	41.5	57	47	31	6	3.5	19
A4.5	41.5	57	47	31	6	0	19
A4.5.1	41.5	63.5	53.5	37.5	6	0	28
A4.5.2	41.5	63.5	53.5	37.5	6	3.5	28



Version	L	a ±0.5	b ±0.5	c ±0.5
A3.6	41.5	17.5	27.5	7.5
A3.7	56	20	30	10

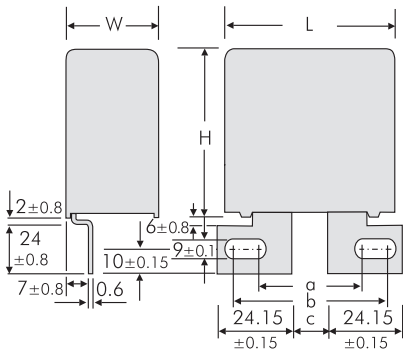
Version	L	a ±0.8	b ±0.8	f ±0.8	d ±0.1
A4.9	31.5 W ≥ 15	44	47	57	4.5
A4.10	31.5 W ≥ 15	43	59	69	6.1
A4.2	41.5 W ≥ 15	54	57	67	4.5
A4	41.5 W ≥ 15	53	69	79	6.1
A4.7	56	65	68	78	4.5
A4	56	64	80	90	6.1



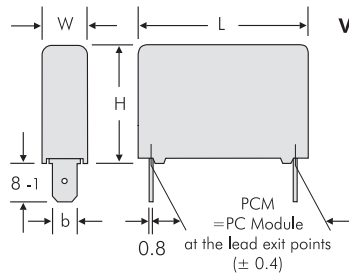
Version	L	a ±0.5	b ±0.5	c ±0.5
A5	41.5	17.5	27.5	7.5
A5	56	20	30	10



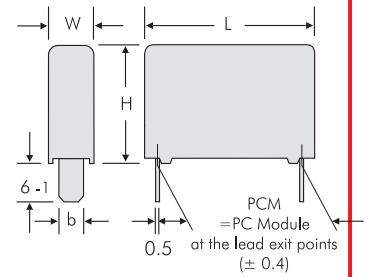
Versions of WIMA Snubber- and DC-LINK MKP 4 Capacitors



Version FS 6.3
with slip-on terminals according to DIN 46244



Version B

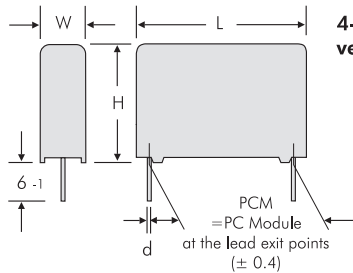


Version	L	a ±0.5	b ±0.5	c ±0.5
A6	56 W ≥ 23	41.5	45.5	15.5

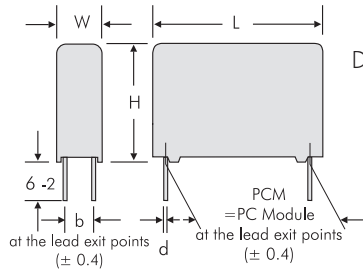
L	W	PCM	b ±0.15
26.5	≥ 11	23.5	6.3
31.5	≥ 11	28.5	6.3
41.5	≥ 11	38.5	6.3
56	≥ 11	49.5	6.3

L	PCM	b ±0.15
18	16	5
26.5	23.5	5
31.5	28.5	8
41.5	38.5	8
56	49.5	8

2-lead version



4-lead version



Dims. in mm.

PCM	d
15	0.8
22.5	0.8
27.5	0.8
38.5	1.2
49.5	1.2

W	H	L	PCM	b	d
10.5	19	26.5	22.5	5	0.8
10.5	20.5	26.5	22.5	5	0.8
11	21	26.5	22.5	5	0.8
11	21	31.5	27.5	5	0.8
13	24	31.5	27.5	7.5	0.8
15	26	31.5	27.5	7.5	0.8
17	29	31.5	27.5	10	0.8
19	30	31.5	27.5	10	0.8
17	34.5	31.5	27.5	10	0.8
20	39.5	31.5	27.5	12.5	0.8
22	43.5	31.5	27.5	12.5	0.8
11	22	41.5	37.5	5	1
13	24	41.5	37.5	7.5	1
15	26	41.5	37.5	7.5	1
17	29	41.5	37.5	10	1
19	32	41.5	37.5	10	1
20	39.5	41.5	37.5	12.5	1
24	45.5	41.5	37.5	12.5	1
31	46	41.5	37.5	20	1
19	31	56	48.5	12.5	1
23	34	56	48.5	15	1
27	37.5	56	48.5	15	1
33	48	56	48.5	20	1
37	54	56	48.5	20	1

Additional special versions can be realized. Please contact us with your specific needs.

Versions of WIMA Snubber and DC-LINK MKP 4 Capacitors



W x H x L	2-lead	4-lead	B5	B8	A1	A1.1*	A1.1.1	A1.2*	A1.3.1	A1.3.2	A1.4	A1.4.1	A1.5	A1.6	A1.6.1	A1.7	A1.7.1	A1.8*	A1.8.1	A1.8.2	A1.9*	A2	A2.1	A2.2	A2.2	A2.3	A2.4	A2.5	A2.6	A2.6.1	A2.6.2	A2.7	A2.8	A3	A3.1	A3.2	A3.3	A3.5	A3.6	A3.7	A3.8	A3.8.1	A3.9	A3.10	A3.11												
5 x 11 x 18																																																									
6 x 12.5 x 18																																																									
7 x 14 x 18																																																									
8 x 15 x 18																																																									
7 x 16.5 x 26.5																																																									
8.5 x 18.5 x 26.5																																																									
10.5 x 19 x 26.5																																																									
10.5 x 20.5 x 26.5																																																									
11 x 21 x 26.5																																																									
11 x 21 x 31.5																																																									
13 x 24 x 31.5																																																									
15 x 26 x 31.5																																																									
17 x 29 x 31.5																																																									
19 x 30 x 31.5																																																									
17 x 34.5 x 31.5																																																									
11 x 22 x 41.5																																																									
13 x 24 x 41.5																																																									
15 x 26 x 41.5																																																									
17 x 29 x 41.5																																																									
19 x 32 x 41.5																																																									
20 x 39.5 x 41.5																																																									
24 x 45.5 x 41.5																																																									
28 x 38 x 41.5																																																									
31 x 46 x 41.5																																																									
19 x 31 x 56																																																									
23 x 34 x 56																																																									
27 x 37.5 x 56																																																									
33 x 48 x 56																																																									
37 x 54 x 56																																																									

W x H x L	A4	A4.1*	A4.2	A4.3*	A4.4*	A4.5*	A4.5.1	A4.5.2	A4.6*	A4.7	A4.8*	A4.9	A4.10	A5	A6	A7	FS 6.3
11 x 21 x 26.5																	
11 x 21 x 31.5																	
13 x 24 x 31.5																	
15 x 26 x 31.5																	
17 x 29 x 31.5																	
19 x 30 x 31.5																	
17 x 34.5 x 31.5																	
11 x 22 x 41.5																	
13 x 24 x 41.5																	
15 x 26 x 41.5																	
17 x 29 x 41.5																	
19 x 32 x 41.5																	
20 x 39.5 x 41.5																	
24 x 45.5 x 41.5																	
28 x 38 x 41.5																	
31 x 46 x 41.5																	
19 x 31 x 56																	
23 x 34 x 56																	
27 x 37.5 x 56																	
33 x 48 x 56																	
37 x 54 x 56																	

Possible connecting respective plate versions - depending on box size.

* on request