

P93U422

HIGH SPEED 256 x 4

STATIC CMOS RAM



FEATURES

- Universal 256 x 4 Static RAM
- One part, the P93U422, replaces the following bipolar and CMOS parts:
 - 93422, 93422A
 - 93L422, 93L422A
- Fast Access Time – 35 ns Commercial and Military
- Available in the following packages:
 - PDIP, CERDIP, Side Brazed DIP
 - CERPACK
 - LCC
 - SOIC
- CMOS for Low Power
 - 440 mW (Commercial)
 - 495 mW (Military)
- 5V Power Supply $\pm 10\%$ for both commercial and military temperature ranges
- Separate I/O
- Fully static operation with equal access and cycle times
- Resistant to single event upset and latchup due to advanced process and design improvements



DESCRIPTION

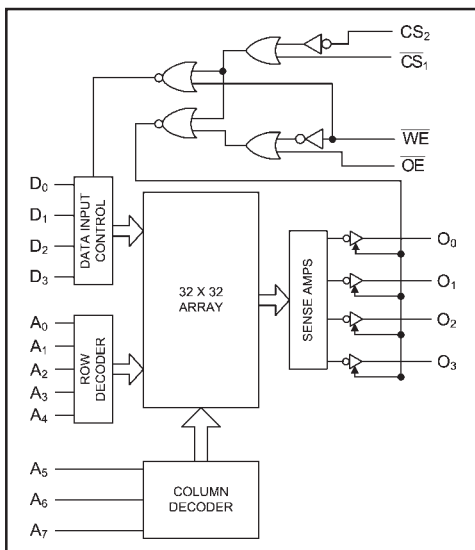
The P93U422 is a 1,024-bit high-speed Static RAM with a 256 x 4 organization. The P93U422 is a universal device designed to replace the entire 93 and 93L 256 x 4 static RAM families. The memory requires no clocks or refreshing and has equal access and cycle times. Inputs and outputs are fully TTL compatible. Operation is from a single 5 Volt supply. Easy memory expansion is provided by an active LOW chip select one (\overline{CS}_1) and

active HIGH chip select two (CS_2) as well as 3-state outputs.

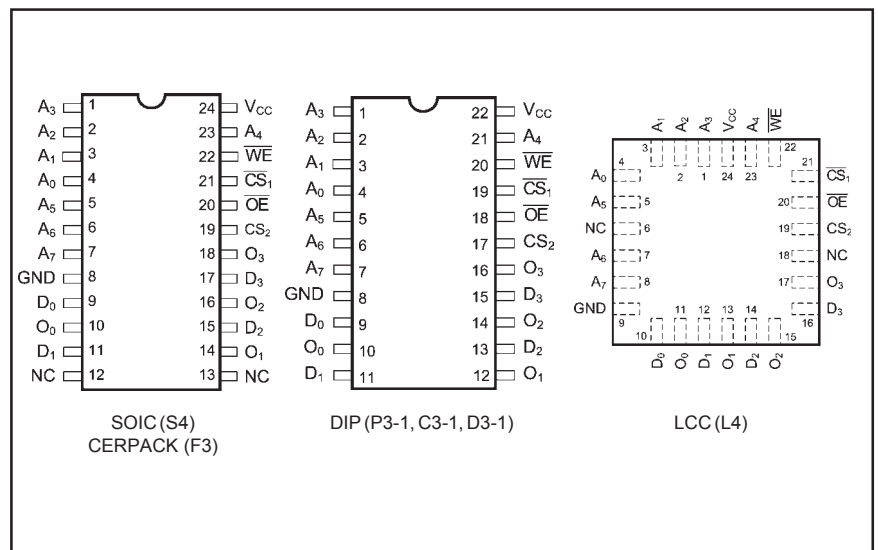
In addition to high performance, the device features latchup protection, single event and upset protection. The P93U422 is offered in several packages: 22-pin 400 mil DIP (plastic and ceramic), 24-pin 300 mil SOIC, 24-pin square LCC and 24-pin CERPACK. Devices are offered in both commercial and military temperature ranges.



FUNCTIONAL BLOCK DIAGRAM



PIN CONFIGURATIONS



MAXIMUM RATINGS⁽¹⁾

| Symbol | Parameter | Value | Unit |
|------------|---|------------------------|------|
| V_{CC} | Power Supply Pin with Respect to GND | -0.5 to +7 | V |
| V_{TERM} | Terminal Voltage with Respect to GND (up to 7.0V) | -0.5 to $V_{CC} + 0.5$ | V |
| T_A | Operating Temperature | -55 to +125 | °C |

| Symbol | Parameter | Value | Unit |
|------------|------------------------|-------------|------|
| T_{BIAS} | Temperature Under Bias | -55 to +125 | °C |
| T_{STG} | Storage Temperature | -65 to +150 | °C |
| I_{OUT} | DC Output Current | 20 | mA |

RECOMMENDED OPERATING CONDITIONS

| Grade ⁽²⁾ | Ambient Temp | Gnd | Vcc |
|----------------------|----------------|-----|-----------|
| Commercial | 0°C to 70°C | 0V | 5.0V ±10% |
| Military | -55°C to 125°C | 0V | 5.0V ±10% |

CAPACITANCES⁽⁴⁾

($V_{CC} = 5.0V$, $T_A = 25°C$, $f = 1.0MHz$)

| Symbol | Parameter | Conditions | Typ. | Unit |
|-----------|--------------------|----------------|------|------|
| C_{IN} | Input Capacitance | $V_{IN} = 0V$ | 5 | pF |
| C_{OUT} | Output Capacitance | $V_{OUT} = 0V$ | 7 | pF |

DC ELECTRICAL CHARACTERISTICS

Over recommended operating temperature and supply voltage⁽²⁾

| Symbol | Parameter | Test Conditions | P93U422 | | Unit |
|-----------|---|--|---------------|------|------|
| | | | Min. | Max. | |
| V_{OH} | Output High Voltage | $V_{CC} = \text{Min.}, V_{IN} = V_{IH} \text{ or } V_{IL}, I_{OH} = -5.2 \text{ mA}$ | 2.4 | | V |
| V_{OL} | Output Low Voltage | $V_{CC} = \text{Min.}, V_{IN} = V_{IH} \text{ or } V_{IL}, I_{OL} = 8.0 \text{ mA}$ | | 0.45 | V |
| V_{IH} | Input High Level | | 2.1 | | V |
| V_{IL} | Input Low Level | | | 0.8 | V |
| I_{IL} | Input Low Current | $V_{IN} = 0.40 \text{ V}$ | | -300 | µA |
| I_{IH} | Input High Current | $V_{CC} = \text{Max.}, V_{IN} = 4.5 \text{ V}$ | | 40 | µA |
| I_{SC} | Output Short Circuit Current ⁽³⁾ | $V_{CC} = \text{Max.}, V_{OUT} = 0.0 \text{ V}$ | | -70 | mA |
| I_{CC} | Power Supply Current | All Inputs = GND $V_{CC} = \text{Max.}$ | $T_A = 125°C$ | 70 | mA |
| | | | $T_A = 75°C$ | 70 | |
| | | | $T_A = 0°C$ | 80 | |
| | | | $T_A = -55°C$ | 90 | |
| V_{CL} | Input Clamp Voltage | $I_{IN} = -10 \text{ mA}$ | | -1.5 | V |
| I_{CEX} | Output Leakage Current | $V_{OUT} = 2.4 \text{ V}, V_{CC} = \text{Max.}$ | | 50 | µA |
| | | $V_{OUT} = 0.5 \text{ V}, V_{CC} = \text{Max.}$ | -50 | | |

Notes:

- Stresses greater than those listed under MAXIMUM RATINGS may cause permanent damage to the device. This is a stress rating only and functional operation of the device at these or any other conditions above those indicated in the operational sections of this specification is not implied. Exposure to MAXIMUM rating conditions for extended periods may affect reliability
- Extended temperature operation guaranteed with 400 linear feet per minute of air flow.
- For test purposes, not more than one output at a time should be shorted. Short circuit test duration should not exceed 30 seconds.
- This parameter is sampled and not 100% tested.

FUNCTIONAL DESCRIPTION

An active LOW write enable (\overline{WE}) controls the writing/reading operation of the memory. When chip select one (\overline{CS}_1) and write enable (\overline{WE}) are LOW and chip select two (CS_2) is HIGH, the information on data inputs (D_0 through D_3) is written into the addressed memory word and preconditions the output circuitry so that true data is present at the outputs when the write cycle is complete. This preconditioning operation insures minimum write

recovery times by eliminating the “write recovery glitch.” Reading is performed with chip select one (\overline{CS}_1) LOW, chip select two (CS_2) HIGH, write enable (\overline{WE}) HIGH and output enable (\overline{OE}) LOW. The information stored in the addressed word is read out on the noninverting outputs (O_0 through O_3). The outputs of the memory go to an inactive high impedance state whenever chip select one (\overline{CS}_1) is HIGH, or during the write operation when write enable (\overline{WE}) is LOW.

TRUTH TABLE

| Mode | CS_2 | \overline{CS}_1 | \overline{WE} | \overline{OE} | Output |
|--------------------|--------|-------------------|-----------------|-----------------|-----------|
| Standby | L | X | X | X | High Z |
| Standby | X | H | X | X | High Z |
| D_{OUT} Disabled | H | L | X | H | High Z |
| Read | H | L | H | L | D_{OUT} |
| Write | H | L | L | X | High Z |

Notes: H = HIGH

L = Low

X = Don't Care

HIGH Z = Implies outputs are disabled or off. This condition is defined as high impedance state for the P93U422.

SWITCHING CHARACTERISTICS (5,6)

Over Operating Range (Commercial and Military)

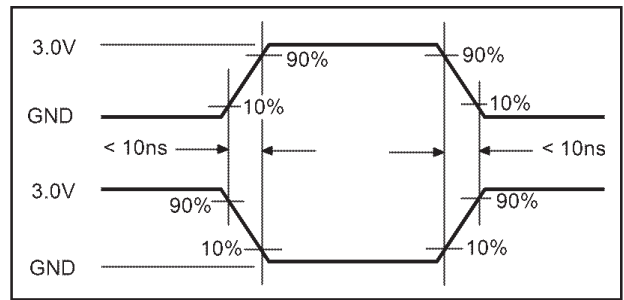
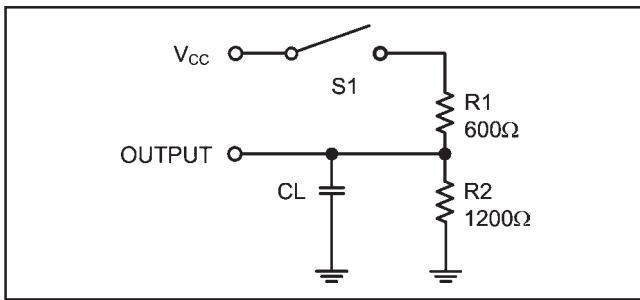
| Parameters | Description | P93U422 | | Unit |
|--|---|---------|------|------|
| | | Min. | Max. | |
| $t_{PLH(A)}^{(7)}$ $t_{PLH(A)}^{(7)}$ | Delay from Address to Output (Address Access Time) (See Fig. 2) | | 35 | ns |
| $t_{PZH}(\overline{CS}_1, CS_2)^{(8)}$ $t_{PZL}(\overline{CS}_1, CS_2)^{(8)}$ | Delay from Chip Select to Active Output and Correct Data (See Fig. 2) | | 25 | ns |
| $t_{PZH}(\overline{WE})^{(8)}$ $t_{PZL}(\overline{WE})^{(8)}$ | Delay from Write Enable to Active Output and Correct Data (Write Recovery) (See Fig. 1) | | 25 | ns |
| $t_{PZH}(\overline{OE})^{(8)}$ $t_{PZL}(\overline{OE})^{(8)}$ | Delay from Output Enable to Active Output and Correct Data (See Fig. 2) | | 25 | ns |
| $t_s(A)$ | Setup Time Address (Prior to Initiation of Write) (See Fig. 1) | 5 | | ns |
| $t_h(A)$ | Hold Time Address (After Termination of Write) (See Fig. 1) | 5 | | ns |
| $t_s(DI)$ | Setup Time Data Input (Prior to Initiation of Write) (See Fig. 1) | 5 | | ns |
| $t_h(DI)$ | Hold Time Data Input (After Termination of Write) (See Fig. 1) | 5 | | ns |
| $t_s(\overline{CS}_1, CS_2)$ | Setup Time Chip Select (Prior to Initiation of Write) (See Fig. 1) | 5 | | ns |
| $t_h(\overline{CS}_1, CS_2)$ | Hold Time Chip Select (After Termination of Write) (See Fig. 1) | 5 | | ns |
| $t_{pw}(\overline{WE})$ | Minimum Write Enable Pulse Width (to Insure Write) (See Fig. 1) | 20 | | ns |
| $t_{PHZ}(\overline{CS}_1, CS_2)^{(8)}$ $t_{PLZ}(\overline{CS}_1, CS_2)^{(8)}$ | Delay from Chip Select to Inactive Output (HIGH Z) (See Fig. 2) | | 30 | ns |
| $t_{PHZ}(\overline{WE})^{(8)}$ $t_{PLZ}(\overline{WE})^{(8)}$ | Delay from Write Enable to Inactive Output (HIGH Z) (See Fig. 1) | | 30 | ns |
| $t_{PHZ}(\overline{OE})^{(8)}$ $t_{PLZ}(\overline{OE})^{(8)}$ | Delay from Output Enable to Inactive Output (HIGH Z) (See Fig. 2) | | 30 | ns |

Notes:

- 5) Test conditions assume signal transition times of 10 ns or less.
 - 6) Extended temperature operation guaranteed with 400 linear feet per minute of air flow.
 - 7) $t_{PLH}^{(A)}$ and $t_{PHL}^{(A)}$ are tested with S_1 closed and $C_L = 15$ pF with both input and output timing referenced to 1.5V
 - 8) $t_{PZH}(\overline{WE})$, $t_{PZH}(\overline{CS}_1, CS_2)$ and $t_{PZH}(\overline{OE})$ are measured with S_1 open, $C_L = 15$ pF and with both the input and output timing referenced to 1.5V. $t_{PZL}(\overline{WE})$, $t_{PZL}(\overline{CS}_1, CS_2)$ and $t_{PZL}(\overline{OE})$ are measured with S_1 closed, $C_L = 15$ pF and with both the input and output timing referenced to 1.5V.
- $t_{PHZ}(\overline{WE})$, $t_{PHZ}(\overline{CS}_1, CS_2)$ and $t_{PHZ}(\overline{OE})$ are measured with S_1 open, $C_L < 5$ pF and are measured between the 1.5V level on the input to the $V_{OH} - 500$ mV level on the output.
- $t_{PLZ}(\overline{WE})$, $t_{PLZ}(\overline{CS}_1, CS_2)$ and $t_{PLZ}(\overline{OE})$ are measured with S_1 closed, $C_L < 5$ pF and are measured between the 1.5V level on the input to the $V_{OL} + 500$ mV level on the output.

SWITCHING TEST

Test Circuits (7, 8)



KEY TO DIAGRAM

| Waveform | Inputs | Outputs |
|----------|------------------------|------------------------------|
| | Must be steady | Will be steady |
| | May change from H to L | Will be changing from H to L |
| | May change from L to H | Will be changing from L to H |

| Waveform | Inputs | Outputs |
|----------|----------------------------------|---|
| | Don't care; any change permitted | Changing; state unknown |
| | Does not apply | Center line is high impedance "off" state |

SWITCHING WAVEFORMS

Write Mode (with $\overline{OE} = \text{LOW}$)

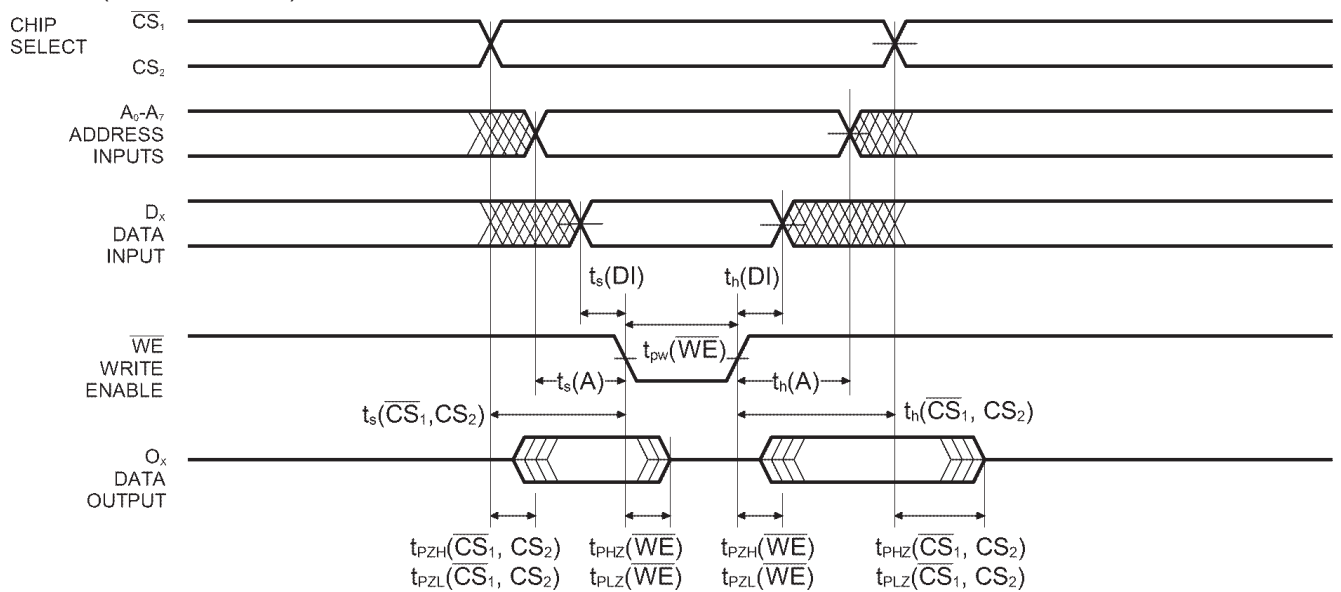


Figure 1.

Read Mode

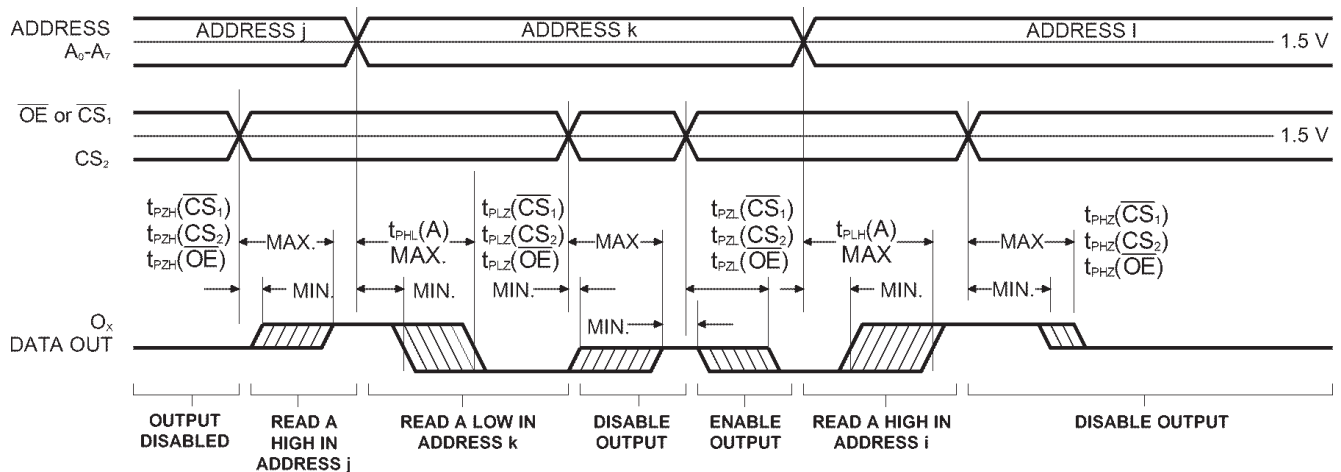
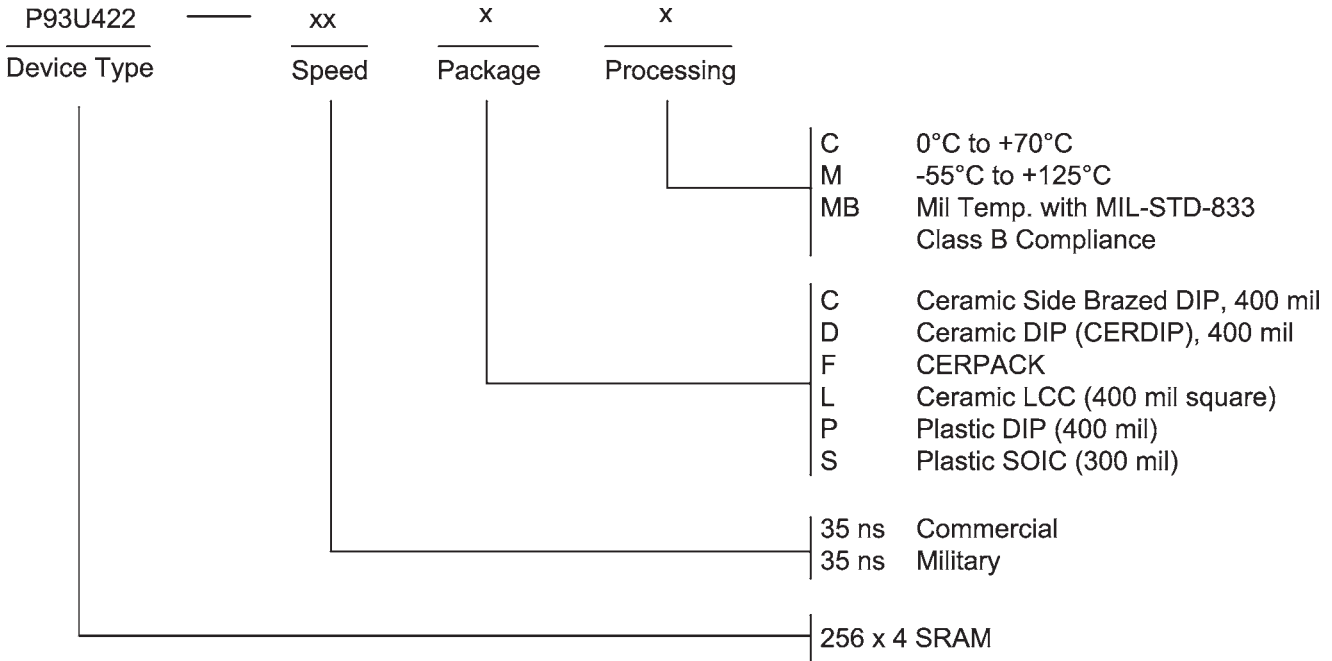


Figure 2.

ORDERING INFORMATION



SELECTION GUIDE

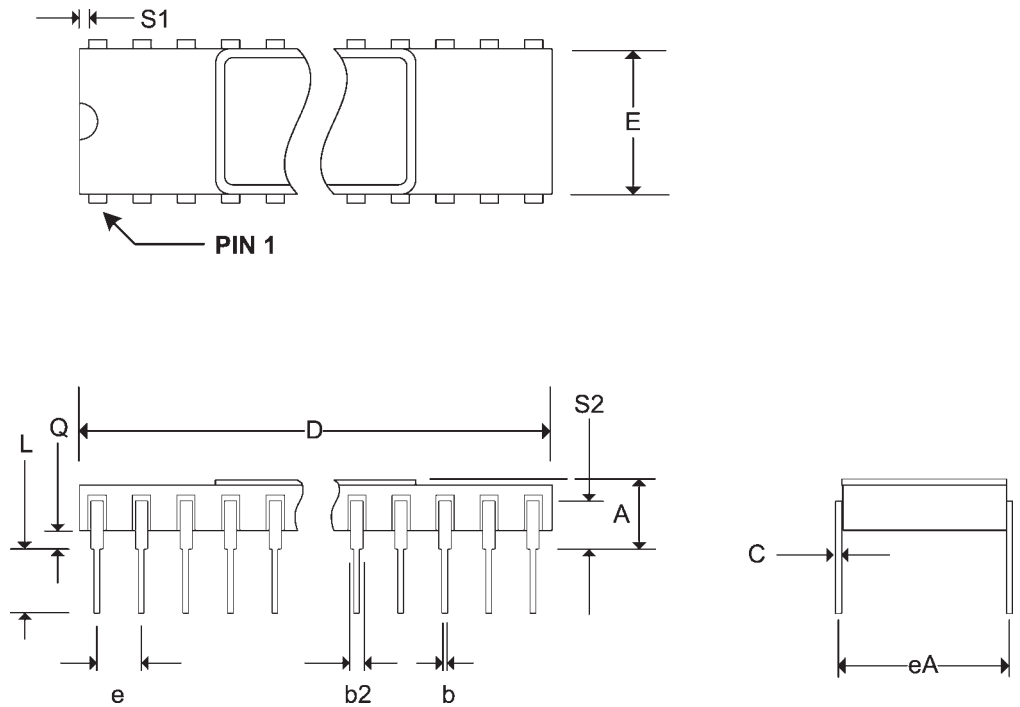
The P93U422 is available in the following temperature range, speed, and package options.

| Temperature Range | Package | Speed (ns) |
|------------------------|-----------------|------------|
| | | 35 |
| Commercial Temperature | Plastic DIP | -35PC |
| | Plastic SOIC | -35SC |
| Military Temperature | Side Brazed DIP | -35CM |
| | CERDIP | -35DM |
| | CERPACK | -35FM |
| | LCC | -35LM |
| Military Processed* | Side Brazed DIP | -35CMB |
| | CERDIP | -35DMB |
| | CERPACK | -35FMB |
| | LCC | -35LMB |

*Military temperature range with MIL-STD-883, Class B processing.

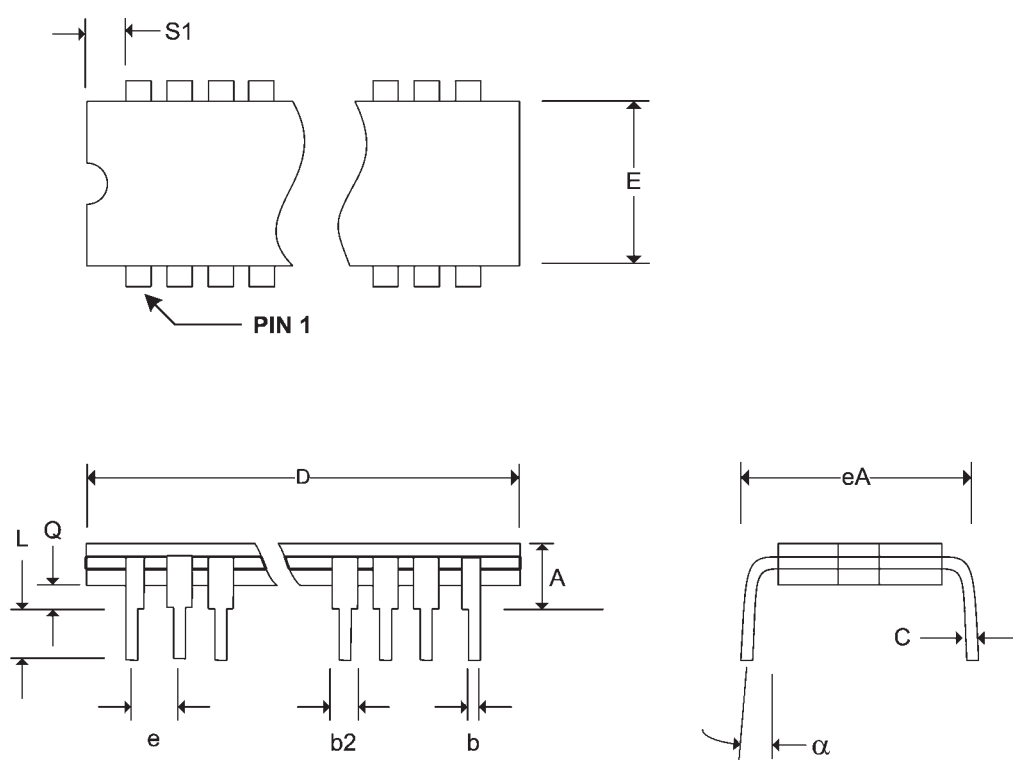
| | | |
|--------|--------------|------------|
| Pkg # | C3-1 | |
| # Pins | 22 (400 Mil) | |
| Symbol | Min | Max |
| A | - | 0.200 |
| b | 0.014 | 0.026 |
| b2 | 0.035 | 0.060 |
| C | 0.008 | 0.015 |
| D | - | 1.100 |
| E | 0.360 | 0.410 |
| eA | 0.400 BSC | |
| e | 0.100 BSC | |
| L | 0.125 | 0.200 |
| Q | 0.015 | 0.060 |
| S1 | 0.005 | - |
| S2 | 0.005 | - |

SIDE BRAZED DUAL IN-LINE PACKAGE



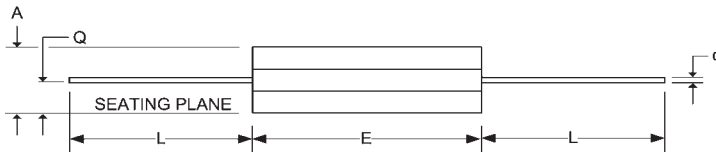
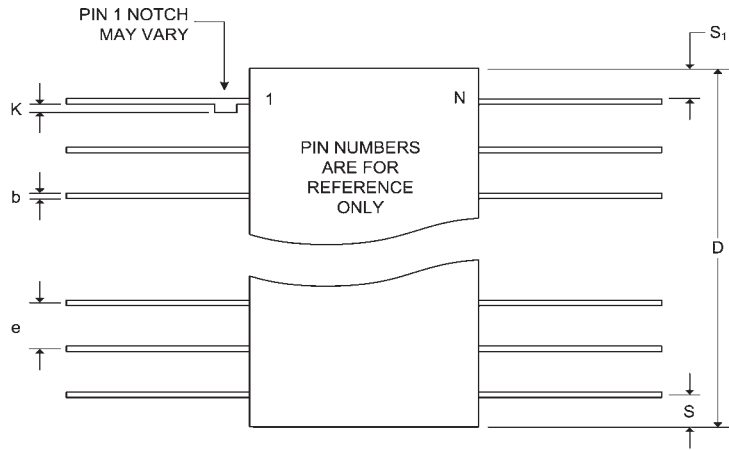
| | | |
|----------|--------------|------------|
| Pkg # | D3-1 | |
| # Pins | 22 (400 Mil) | |
| Symbol | Min | Max |
| A | - | 0.225 |
| b | 0.014 | 0.026 |
| b2 | 0.045 | 0.065 |
| C | 0.008 | 0.018 |
| D | - | 1.111 |
| E | 0.350 | 0.410 |
| eA | 0.400 BSC | |
| e | 0.100 BSC | |
| L | 0.125 | 0.200 |
| Q | 0.015 | 0.070 |
| S1 | 0.005 | - |
| α | 0° | 15° |

CERDIP DUAL IN-LINE PACKAGE



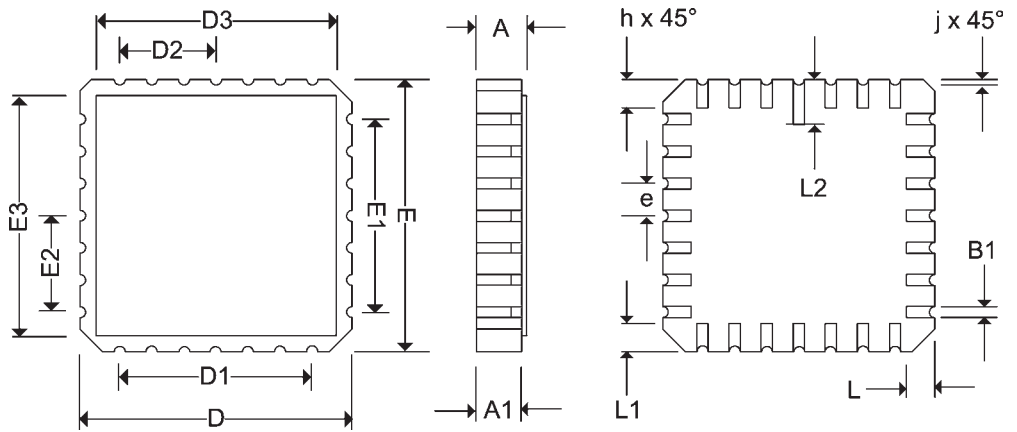
| | | |
|--------|------------|------------|
| Pkg # | F3 | |
| # Pins | 24 | |
| Symbol | Min | Max |
| A | 0.060 | 0.090 |
| b | 0.015 | 0.022 |
| c | 0.004 | 0.009 |
| D | - | 0.630 |
| E | 0.330 | 0.380 |
| e | 0.050 BSC | |
| k | 0.008 | 0.015 |
| L | 0.250 | 0.370 |
| Q | 0.026 | 0.045 |
| S | - | 0.085 |
| S1 | 0.005 | - |

CERPACK CERAMIC FLAT PACKAGE



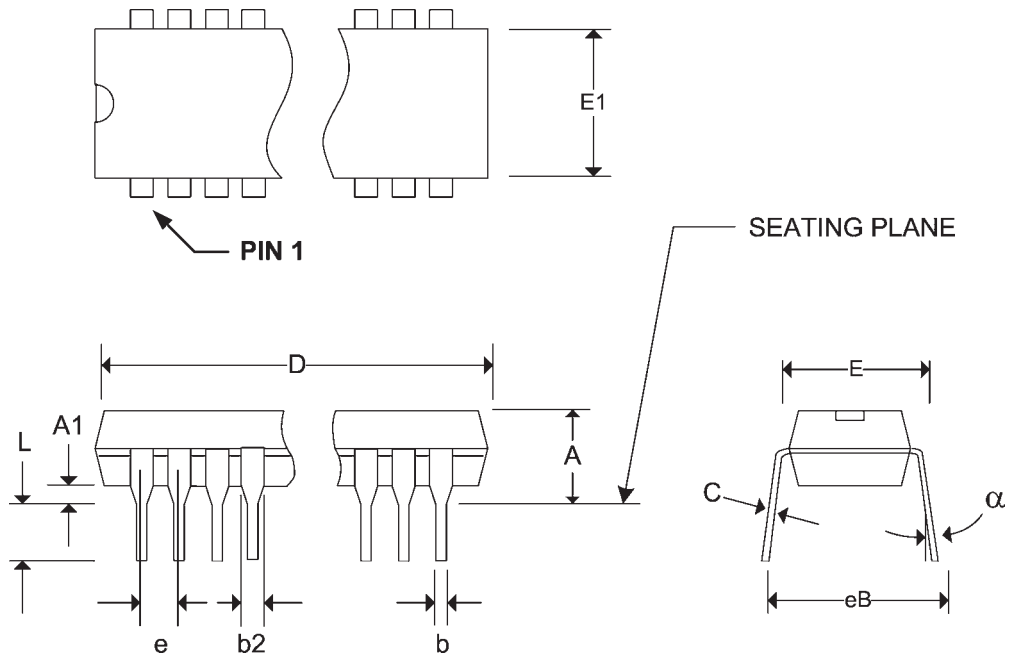
| | | |
|--------|------------|------------|
| Pkg # | L4 | |
| # Pins | 24 | |
| Symbol | Min | Max |
| A | 0.060 | 0.075 |
| A1 | 0.050 | 0.065 |
| B1 | 0.022 | 0.028 |
| D/E | 0.395 | 0.410 |
| D1/E1 | 0.250 BSC | |
| D2/E2 | 0.125 BSC | |
| D3/E3 | - | 0.410 |
| e | 0.050 BSC | |
| h | 0.040 REF | |
| j | 0.020 REF | |
| L | 0.045 | 0.055 |
| L1 | 0.045 | 0.055 |
| L2 | 0.075 | 0.095 |
| ND | 6 | |
| NE | 6 | |

SQUARE LEADLESS CHIP CARRIER



| Pkg # | P3-1 | |
|----------|--------------|-------|
| # Pins | 22 (400 Mil) | |
| Symbol | Min | Max |
| A | - | 0.210 |
| A1 | 0.015 | - |
| b | 0.014 | 0.022 |
| b2 | 0.045 | 0.065 |
| C | 0.009 | 0.015 |
| D | 1.065 | 1.120 |
| E1 | 0.330 | 0.390 |
| E | 0.390 | 0.425 |
| e | 0.100 BSC | |
| eB | - | 0.500 |
| L | 0.115 | 0.160 |
| α | 0° | 15° |

PLASTIC DUAL IN-LINE PACKAGE



| Pkg # | S4 | |
|----------|--------------|-------|
| # Pins | 24 (300 Mil) | |
| Symbol | Min | Max |
| A | 0.093 | 0.104 |
| A1 | 0.004 | 0.012 |
| b2 | 0.013 | 0.020 |
| C | 0.009 | 0.012 |
| D | 0.598 | 0.614 |
| e | 0.050 BSC | |
| E | 0.291 | 0.299 |
| H | 0.394 | 0.419 |
| h | 0.010 | 0.029 |
| L | 0.016 | 0.050 |
| α | 0° | 8° |

SMALL OUTLINE IC PLASTIC PACKAGE

