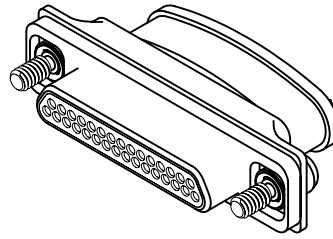


Rugged Metal Solder Cup (Integral Shield Termination)

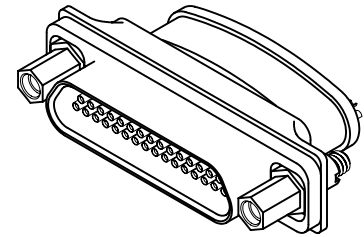
.050"

9 thru 100 Contacts

MM

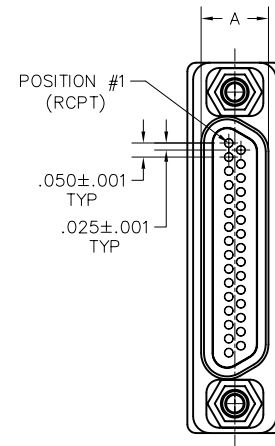
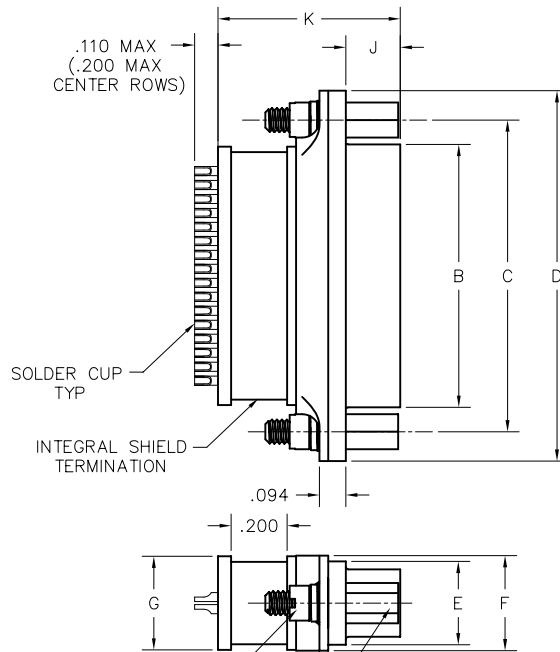
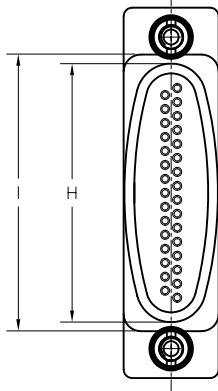


MM-2P2-031-113-4500 (PLUG)



MM-2Q2-031-213-2200 (RECEPTACLE)

MATING MATRIX	
CONNECTOR	MATES WITH
MM-2P...	MK, ML, MM, MN receptacles
MM-2Q...	MK, ML, MM, MN plugs



FLAT WASHER, HELICAL LOCK WASHER, SPANNER NUT, (2 PLCS)
#2-56 JACKPOST ASSY, (2 PLCS)

DIMENSIONS																	
SIZE	CONTACT ROWS	A		B		C	HARDWARE	D	E	F	G	H	I	J		K	
		PLUG MAX	RCPT MAX	PLUG MAX	RCPT MAX									PLUG	RCPT	PLUG	RCPT
9	2	.185	.251	.334	.400	.565	#2-56 UNC THD (.092 DIA THRU)	.775	.298	.340	.335	.375	.440	.183	.195	.640	.652
15				.484	.550	.715		.925				.525	.590				
21				.634	.700	.865		1.075				.675	.740				
25				.734	.800	.965		1.175				.775	.840				
31				.884	.950	1.115		1.325				.925	.990				
37				1.034	1.100	1.265		1.475				1.075	1.140				
51	3	.228	.294	1.384	1.450	1.615	#4-40 UNC THD (.147 DIA THRU)	1.825	.341	.380	.367	1.425	1.490	.183	.195	.640	.652
51				.984	1.050	1.215		1.425				1.025	1.090				
69				1.284	1.350	1.515		1.725				1.325	1.390				
100	4	.271	.394	1.384	1.508	1.800	#4-40 UNC THD (.147 DIA THRU)	2.160	.381	.430	.417	1.457	1.522				



PLUG: MM-2P2-031-113-4500

RECEPTACLE: MM-2Q2-031-213-2200

XX-XXX-XXX-XXX-XXXX

SERIES | SIZE | HARDWARE & WIRING
BODY | CONTACTS

PLUG

RECEPTACLE

SERIES

MM .050" Rugged Metal Solder Cup Connector

SERIES

MM .050" Rugged Metal Solder Cup Connector

BODY

- 2 2-Row (Sizes 9 thru 37, 51)***
3 3-Row (Sizes 51 thru 69)
4 4-Row (Size 100)

BODY

- 2 2-Row (Sizes 9 thru 37, 51)***
3 3-Row (Sizes 51 thru 69)
4 4-Row (Size 100)

BODY STYLE:

P Plug, straight, with ears and integral shield termination

BODY STYLE:

Q Receptacle, straight, with ears and integral shield termination

BODY MATERIAL:

- 2 Polyphenylene Sulfide with electroless nickel shell
3 Polyphenylene Sulfide with electrodeposited cadmium shell [X]

BODY MATERIAL:

- 2 Polyphenylene Sulfide with electroless nickel shell
3 Polyphenylene Sulfide with electrodeposited cadmium shell [X]

SIZE

XXX 009, 015, 021, 025, 031, 037, 051, 069, 100

SIZE

XXX 009, 015, 021, 025, 031, 037, 051, 069, 100

CONTACTS

CONTACTS/PLATING/TERMINATIONS:

- 113 Pin, straight, 50 μ" Au contacts, 10 μ" Au termination
26 AWG solder cup

CONTACTS

CONTACTS/PLATING/TERMINATIONS:

- 213 Socket, straight, 50 μ" Au contacts, 10 μ" Au termination
26 AWG solder cup

HARDWARE & WIRING

STYLE OF HARDWARE:

- 00 None
22 Two fixed jacknut assemblies (62)**
41 Two turning jackscrews, allen head, retaining ring (81)**
43 Two turning jackscrews, slot head, retaining ring (83)**
45 Two turning jackscrews, allenhead,captivated* (85)**
99 Keying hardware, see options below

HARDWARE & WIRING

STYLE OF HARDWARE:

- 00 None
22 Two fixed jacknut assemblies (62)**
41 Two turning jackscrews, allen head, retaining ring (81)**
43 Two turning jackscrews, slot head, retaining ring (83)**
45 Two turning jackscrews, allenhead,captivated* (85)**
99 Keying hardware, see options below

WIRING:

00 None

WIRING:

00 None

OPTIONS

KPXX Two fixed jacknuts
See page MA-6 for keying options (KN)**

OPTIONS

900 Interfacial seal
KPXX Two fixed jacknuts & interfacial sealing gasket
See page MA-6 for keying options (KN)**

NOTES

See page MA-5 & MA-7 for hardware dimensions.
Reference PTB43 for solder cup termination
Reference PTB44 for band-it termination installation

NOTES

See page MA-5 & MA-7 for hardware dimensions.
Reference PTB43 for solder cup termination
Reference PTB44 for band-it termination installation

Stainless steel micro band for shield termination, shipped with each connector
AirBorn part number CDG10026 1/8" short, CDG17492 1/8" long
Band-it application tool - AirBorn part number CDG10027

* = Captive hardware is factory installed and non-removable.
** = Use numbers or letters in parenthesis when ordering size 100.
*** = 2 Row, 51 position connectors are NON MIL-SPEC interface
[X] = Option not RoHS compliant