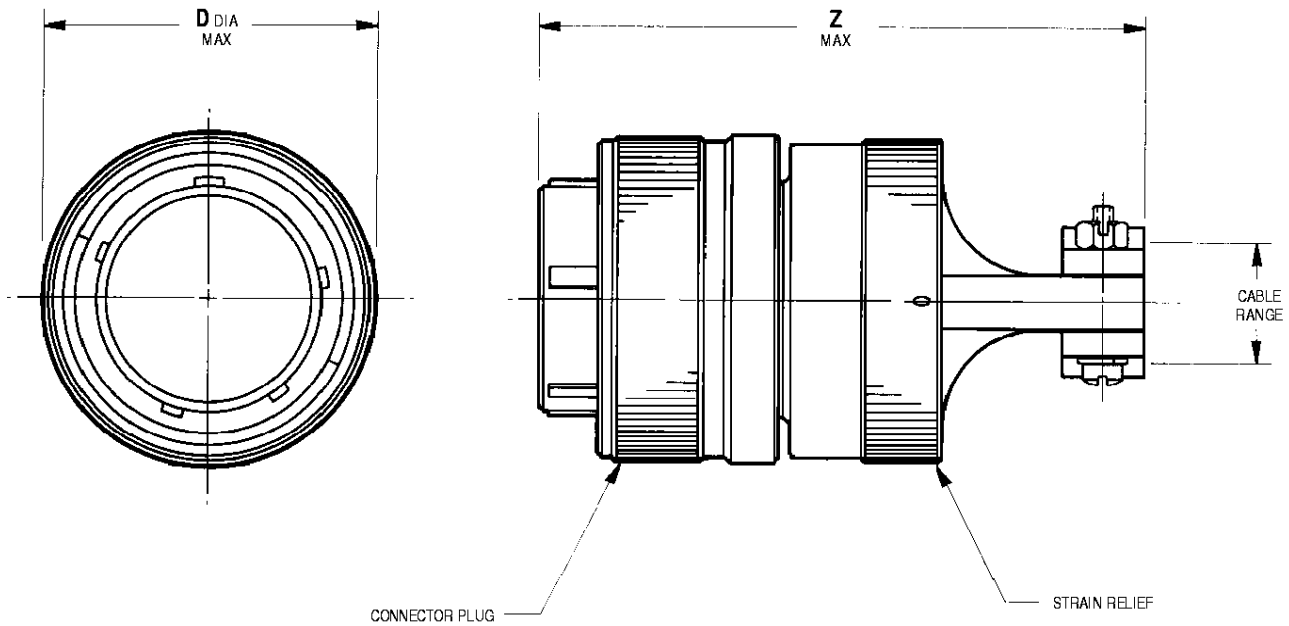
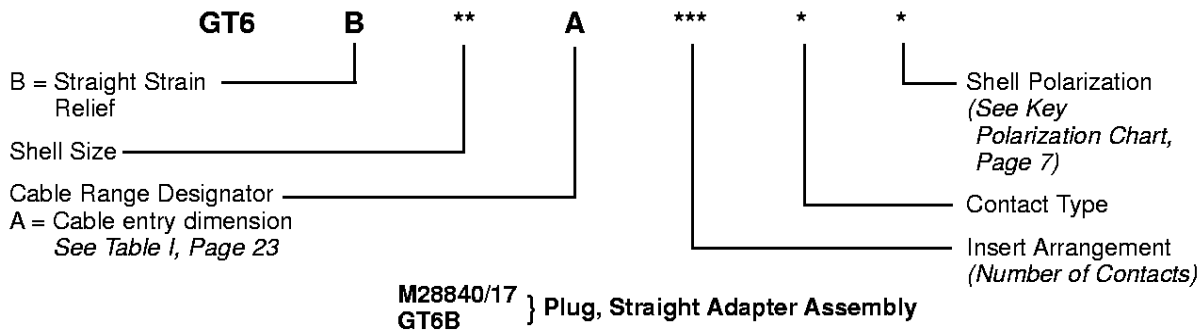


PLUG, STRAIGHT ADAPTER ASSEMBLY



SAMPLE CATALOG NUMBER

To complete catalog number,
see detailed part number breakdown, pages 9 and 10.



SHELL SIZE	CABLE RANGE DESIGNATOR <i>See Table I, Page 23</i>	D DIA MAX		Z MAX		MAX OD OVER REAR CLAMPS	
		IN	MM	IN	MM	IN	MM
11	A	1.028	26.11	2.438	61.92	.832	21.13
13	A	1.141	28.98	2.438	61.92	.832	21.13
15	A	1.263	32.59	2.438	61.92	.989	25.12
17	A	1.387	35.23	2.688	68.27	1.094	27.79
19	A	1.513	38.43	2.812	71.42	1.319	33.50
23	A	1.703	43.26	2.938	74.62	1.557	39.55
25	A	1.825	46.35	3.062	77.77	1.653	41.99
29	A	2.143	54.43	3.188	80.97	1.819	46.20
33	A	2.329	59.16	3.375	85.72	2.020	51.81