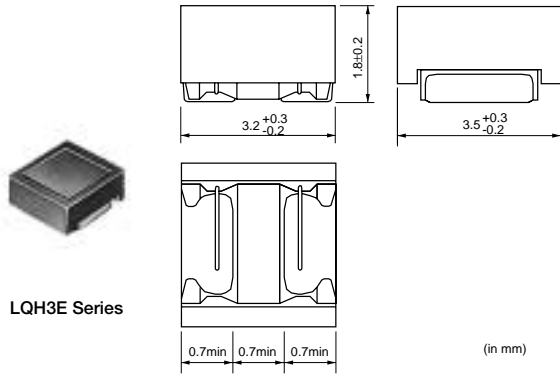


Chip Coils

for General Use Magnetic Shielded Type

● LQH3ER Series



Part Number	Inductance (μH)	Rated Current (mA)	Max. of DC resistance (ohm)	Q (min.)	Self Resonance Frequency (MHz)
LQH3ERN□□□G01	1 to 100 ±2%	70	0.247	60 at 7.96MHz	120 min.
LQH3ERN□□□J01	1 to 100 ±5%	70	0.247	60 at 7.96MHz	120 min.

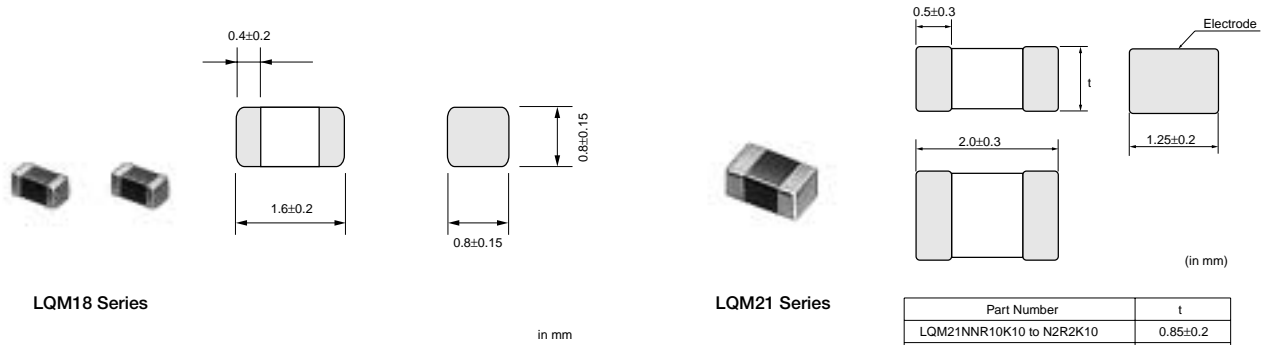
Min. of Operating Temp. : -25°C to 85°C

Three blank columns are filled with inductance code.

Chip Coils

for General Use Monolithic Type

● LQM18N/LQM21N Series



Part Number	t
LQM21NNR10K10 to N2R2K10	0.85±0.2
LQM21NN2R7K10 to N4R7K10	1.25±0.2

Part Number	Inductance	Rated Current (mA)	Max. of DC resistance (ohm)	Q (min.)	Self Resonance Frequency (MHz)
LQM18NN□□□K00	100nH to 2200nH ±10%	50	0.50 max	15 at 25MHz	240 min.
LQM18NN□□□M00	47nH to 82nH ±20%	50	0.30 max	10 at 50MHz	260 min.
LQM21NN□□□K10	0.1μH to 4.7μH ±10%	250	0.26	20 at 25MHz	340 min.

Min. of Operating Temp. : -25°C to +85°C

Three blank columns are filled with inductance code.