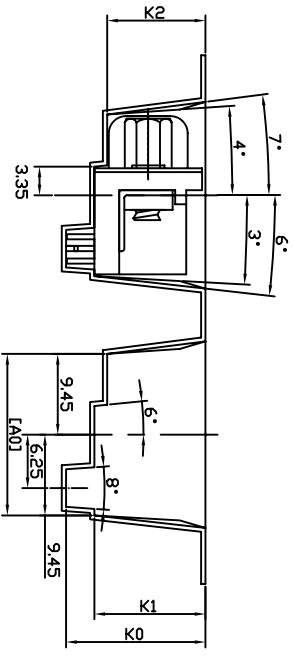


繪圖 36 封層 36+ 層數 27 口線



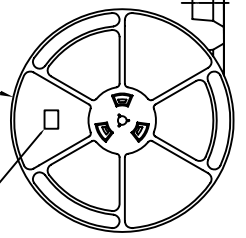
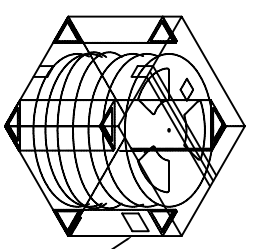
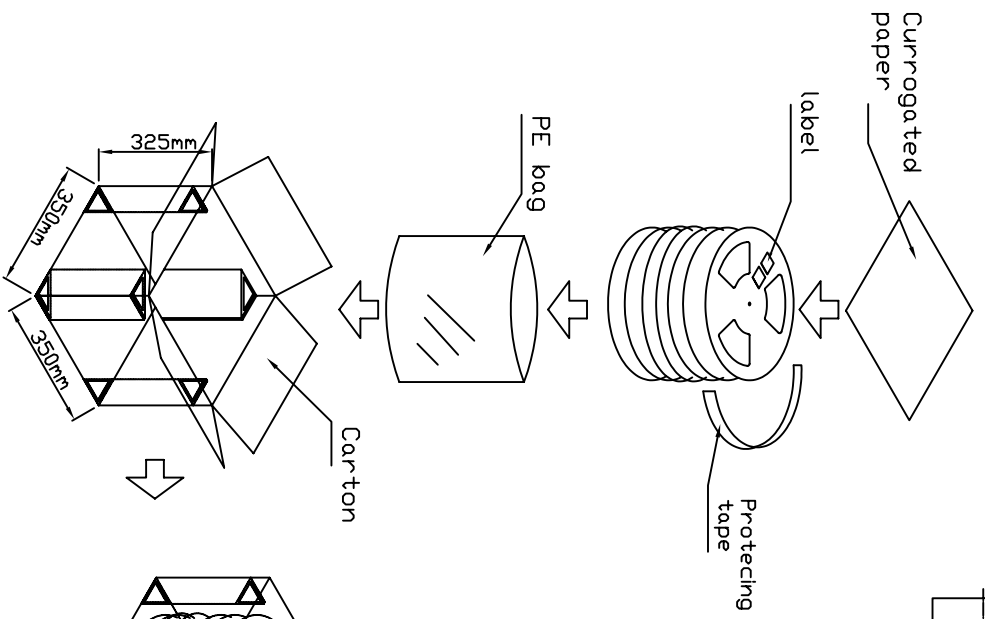
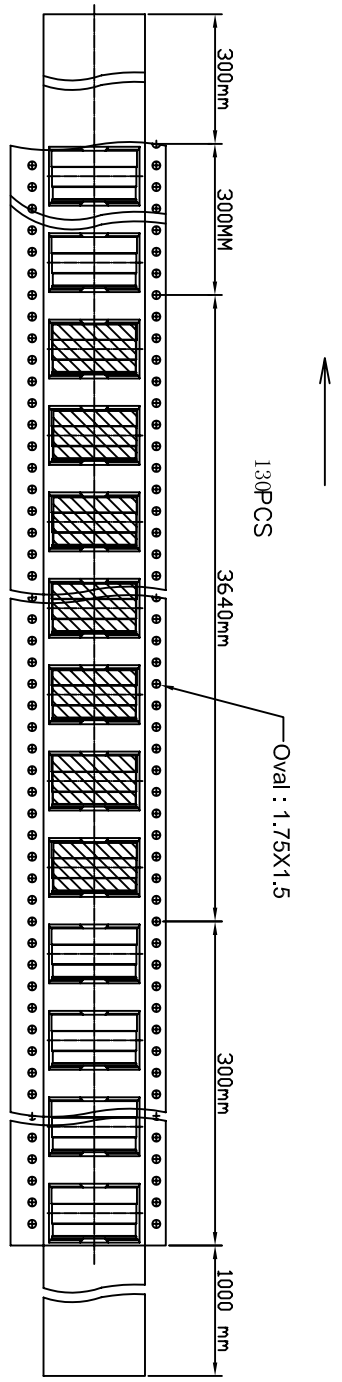
1SP	26P	44P	62P
W 56.00 ^{+0.30} _{-0.30}	56.00 ^{+0.30} _{-0.30}	72.00 ^{+0.30} _{-0.30}	88.00 ^{+0.30} _{-0.30}
S 52.40±0.10	52.40±0.10	68.40±0.10	84.40±0.10
E 1.75±0.10	1.75±0.10	1.75±0.10	1.75±0.10
T 0.50±0.05	0.50±0.05	0.50±0.05	0.50±0.05
F 26.20±0.15	26.20±0.20	34.20±0.20	42.20±0.30
P 32.00±0.10	32.00±0.10	32.00±0.10	32.00±0.10
Po 4.00±0.10	4.00±0.10	4.00±0.10	4.00±0.10
P2 2.00±0.15	2.00±0.20	2.00±0.20	2.00±0.20
Do Ø1.50 ^{+0.10} ₀	Ø1.50 ^{+0.10} ₀	Ø1.50 ^{+0.10} ₀	Ø1.50 ^{+0.10} ₀
Ao 22.30±0.10	22.30±0.10	22.30±0.10	22.30±0.10
Bo 31.20±0.10	39.70±0.10	53.40±0.10	69.80±0.10
Ko 16.55±0.10	16.55±0.10	16.55±0.10	16.55±0.10

- Notes:
- 1.Packing Conforms EIA-481-C Standards.
 - 2.10 sprocket hole pitch cumulative tolerance±0.2mm.
 - 3.Carrier camber is within 1mm in 250mm.
 4. Material:BLACK Polystyrene, ESD
 - 5.Packing length per 13'Reel: 5.2Meters.
 - 6.Component load per 13'Reel: 100PCS.



TOLERANCE (mm)		APPROVALS		TITLE	
X.	±0.3	DRAWN	Stephane	07/Jun/2007	Tape Reel packing for Right Angle type D-sub
X.X	±0.2	CHECKED	Rob K.	08/Jun/2007	
X.XX	±0.15	APPROVED	Rob K.	08/Jun/2007	
UNLESS OTHERWISE SPECIFIED		UNITS: mm		SIZE: A4	DRAWING: L17HTHX4XR
				Scale N.A.	Sheet 1 of 1

AMPHENOL
Amphenol European
Design Center



S.D.	H.D.	V	Reel Qty / Carton
09P	15P	44	6R
15P	26P	56	5R
25P	44P	72	4R
37P	62P	88	3R

(P) Product No. RNT 403 249/309 (21P) Revision
 Product description R/A High Temp D-sub Connector Country of Origin CN
 (1T) Lot No YY WW (Q) Quantity 1000
 Reel Quantity 5 Amphenol L17HTXXX4X4R

(P) Product No. RNT 403 249/309 (21P) Revision
 Product description R/A High Temp D-sub Connector Country of Origin CN
 (1T) Lot No YY WW (Q) Quantity 1000
 Reel Quantity 5 Amphenol L17HTXXX4X4R

TOLERANCE (mm)	APPROVALS	DATE	TITLE
X. ±0.3	DRAWN Stephane	07/Jan/2007	Tape Reel packing for Right Angle type D-sub
XX ±0.2	CHECKED Rob K.	08/Jan/2007	
XXX ±0.15	APPROVED Rob K.	08/Jan/2007	

UNLESS OTHERWISE SPECIFIED

UNIT: mm

SIZE: A4 DRAWING: N°

Scale N.A. Sheet 1 of 1

